

ELKAY® SPECIFICATIONS

Single-Lever Kitchen Faucets Models LKE4160 Series (Less Spray), and LKE4161 Series (With Spray)

GENERAL

LKE4160 Single-lever top mount kitchen faucet with 8" tubular swing spout with restricted flow aerator, circular brass base finished in polished heavy chrome plate. Removable cartridge. Temperature and flow controlled by one movement of the single-lever handle. All operating parts are replaceable from above deck. 3/8" O.D. copper tube connections. Requires one faucet hole. Ship. Wt. 2-1/4 lbs.

LKE4161 same as LKE4160 except with retractable spray head and hose. Requires two faucet holes. Ship. Wt. 2-3/4 lbs.

MAXIMUM FLOW RATE

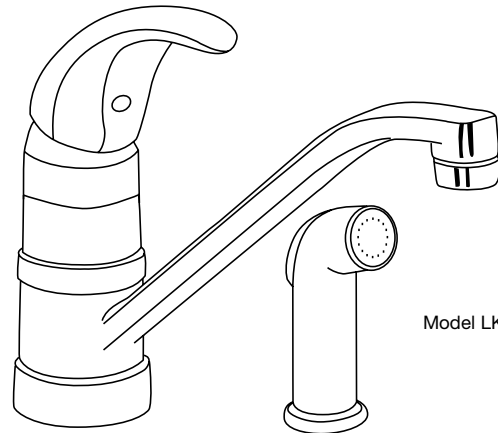
2.5 GPM/9.5 L/min AT 80 P.S.I.G.

2.2 GPM/8.3 L/min AT 60 P.S.I.G.

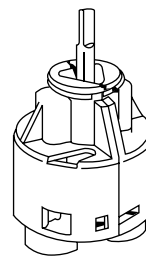
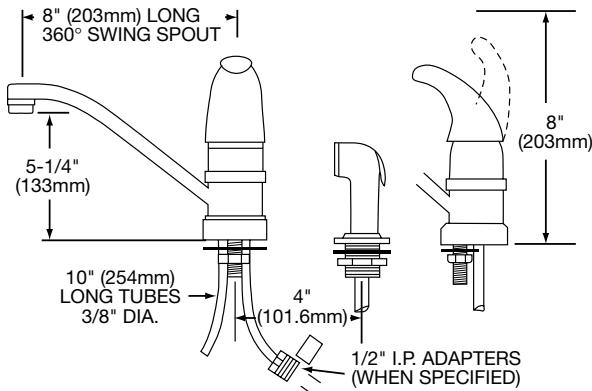


These faucets are ADA compliant.

These faucets are certified to **ANSI/NSF61** for residential use.



Model LKE4161



CARTRIDGE

Maintenance-free, drip-free washerless cartridge that is completely self-contained and easily removable.

A simple cam-activated movement of the diaphragm controls the flow of water with a feather-lite touch.

No springs. No wearing action. And no moving parts exposed to water.

U.S. Patent #4,357,957

ELKAY LIMITED LIFETIME FAUCET WARRANTY ON RESIDENTIAL FAUCETS

Limited Lifetime Functional and Finish Warranty

Elkay warrants to the original consumer purchaser that the Elkay faucet purchased will be free from defects in material and workmanship for as long as the original consumer purchaser owns the faucet. Elkay will, at its option, supply replacement parts (or if no longer available a comparable product) if the faucet fails due to a defect in material or workmanship. This warranty does not apply in the event of product surface damage caused by abuse, misuse or improper care and maintenance. This warranty excludes damage caused by harsh or abrasive cleaners and/or materials. This warranty excludes all industrial, commercial and business use, whose purchasers are hereby extended a limited lifetime on mechanical parts and 5 years on finish. Product replacement does not include transportation cost or labor installation cost. Elkay reserves the right to examine product in question and its installation prior to replacement.

OTHER WARRANTY CONDITIONS ON FAUCETS

Our warranty does not cover product failure or damage caused by abusive treatment, misuse, environmental factors, improper care and cleaning, or damage due to handling or faulty installations. This warranty is extended only to the original consumer purchaser of the product. This warranty does not cover shipping costs, labor costs, or any other charges for such items as installation or replacement of the sink, diagnosis or replacement of any faucet or component part, or any other expense or loss.

All incidental or consequential damages are specifically excluded. No additional warranties, express or implied are given. Any implied warranty, including one of merchantability or fitness for a particular purpose, is limited to the duration of this written warranty.

Some states do not allow the exclusion or limitation of incidental or consequential damages or limitations on how long an implied warranty lasts, so the above limitations or exclusions may not apply to you.

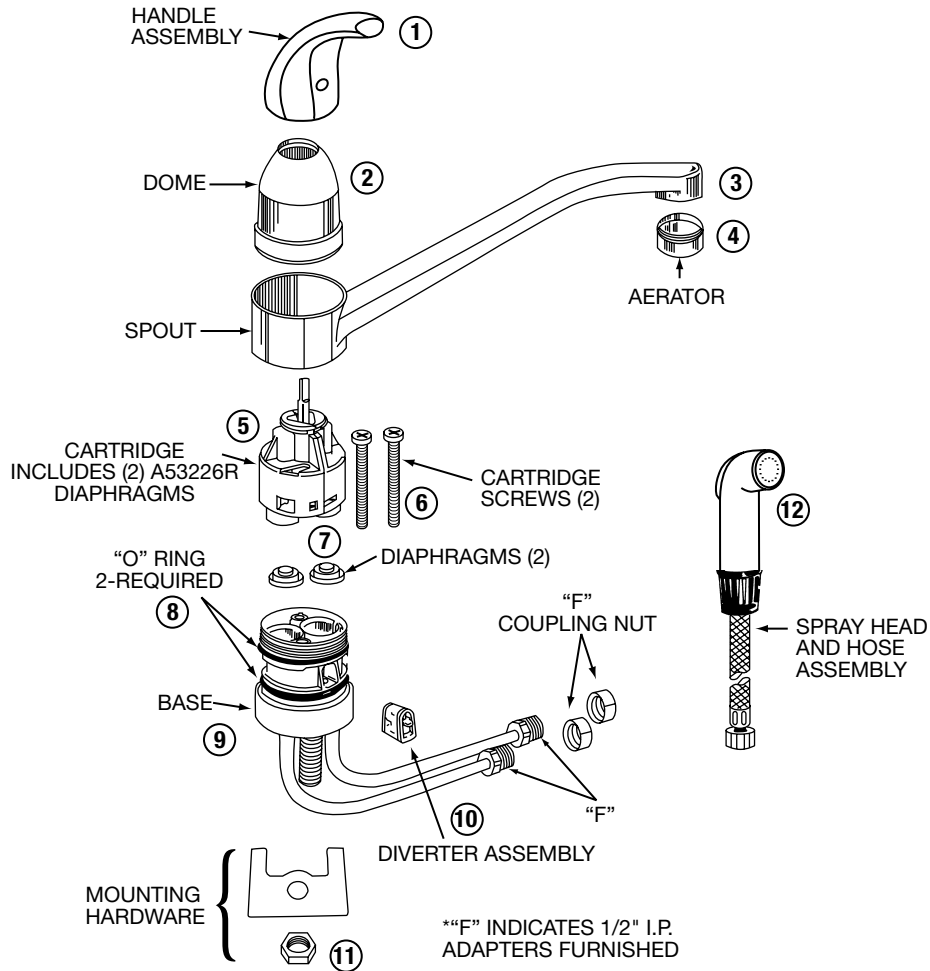
This warranty gives you specific legal rights, and you may also have other rights which vary from state to state.

TO OBTAIN SERVICE UNDER WARRANTY

- Write to: Elkay
Attention: Consumer Services
2222 Camden Court
Oak Brook, IL 60523
- Include a letter containing the following information:
 - Date of purchase and installation
 - Description of nature of defect
 - Model number or description of model and/or component part if possible.

**Single-Lever Kitchen Faucets
Models LKE4160 Series (Less Spray),
and LKE4161 Series (With Spray)**

**ELKAY®
PARTS LIST**



KEY	LKE4160	LKE4161
	CHROME	CHROME
	LESS SPRAY	WITH SPRAY
1	A53080E	A53080E
2	A52364E	A52364E
3	A52384E	A52384E
4	A51357	A51357
5	A52399R	A52399R
6	A52373	A52373
7	A53226R	A53226R
8	A52387	A52387
9	A55055	A55059
10		A52404
11	A52801	A52801
12		A55450