

ELKAY® SPECIFICATIONS

Sink Accessories Models LKS35 Series Drain and LKD35 Series Disposer Flange Fitting

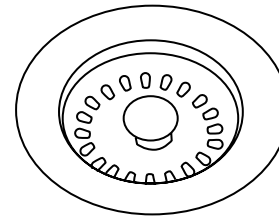
GENERAL

LKS35 Polymer drain outlet fitting with removable basket strainer with rubber stopper. Designed to fit 3-1/2" drain opening with an overall flange size of 4-1/2". Ship Wt. 1 lb.

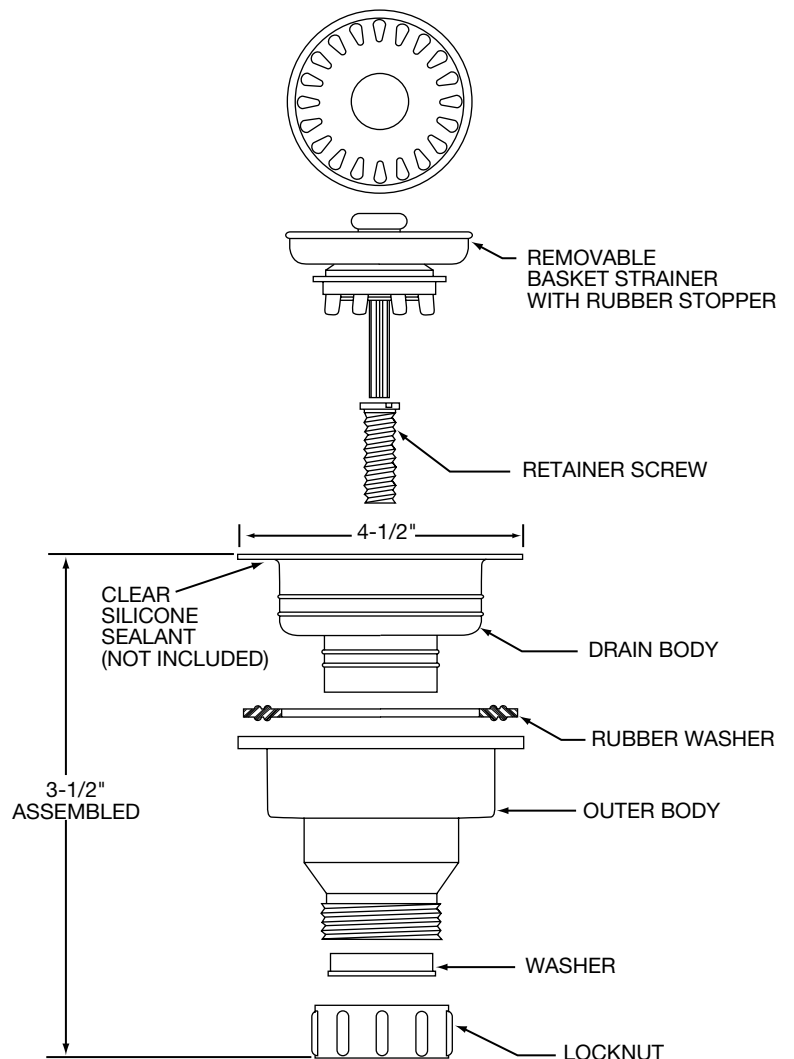
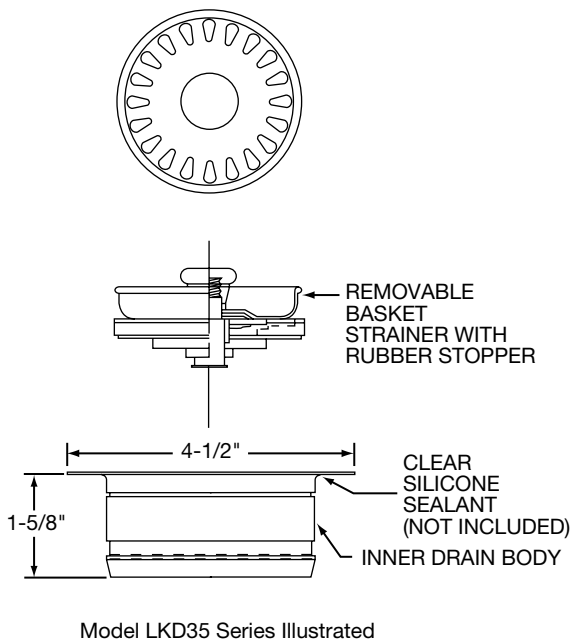
LKD35 Polymer disposer flange fitting with removable basket strainer with rubber stopper. Designed to snap over the most popular 3-1/2" drain opening disposers. Overall flange size is 4-1/2". Ship Wt. 1 lb.

MODELS

- LKS35AL** Almond color.
- LKS35BK** Black color.
- LKS35GW** Glacier White color.
- LKD35AL** Almond color.
- LKD35BK** Black color.
- LKD35GW** Glacier White color.



Model LKS35/LKD35



ALL DIMENSIONS IN INCHES, TO CONVERT TO MILLIMETERS MULTIPLY BY 25.4.

In keeping with our policy of continuing product improvement, Elkay reserves the right to change product specifications without notice.

This specification describes an Elkay product with design, quality and functional benefits to the user. When making a comparison of other producers' offerings, be certain these features are not overlooked.