

Instructions

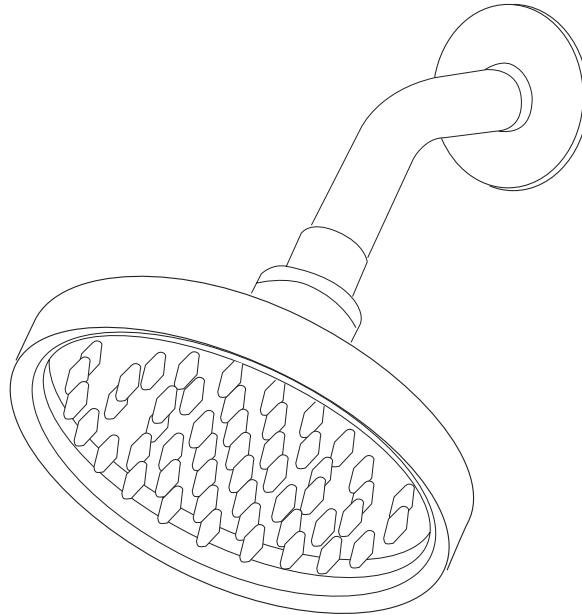
60-90010-CH – Chrome
60-90010-BN – PVD Brushed Nickel
60-90010-ORB – Brushed Bronze



Certifications



Shower Head



*Image may vary slightly from actual product

Tools Required

Adjustable Wrench
Groove Joint Pliers
Pipe Wrench
Phillips Screwdriver
Pipe Tape or Pipe Thread Compound
1/2" iron pipe plug



Safety Tips

If you solder the joints during installation of the faucet, the seats, cartridges, and washers must be removed before using a flame or the warranty will be voided on these parts.

Protect your eyes with safety glasses when cutting or soldering water supply lines.

Cover the sink drain to avoid losing parts.

Things You May Need

Installations may vary depending on how the previous faucet was installed. Supplies necessary for the installation of your faucet are not all included; however, they are available wherever plumbing supplies are sold.

Maintenance

Your new showerhead is designed for years of trouble-free performance.

Keep it looking new by cleaning it periodically with a soft cloth. Avoid abrasive cleaners, steel wool, and harsh chemicals as these will dull the finish and void your warranty.

Important Points

Prior to beginning installation, turn off the hot and cold water lines, then turn on the old faucet to release built-up pressure. When installing your new faucet, turn the connector nuts finger tight, then use one wrench to hold the fitting and a second wrench to tighten the nut. Connections that are too tight will reduce the integrity of the system.

Wrap all threaded connections with PTFE pipe tape available at your local hardware or plumbing supply store. Always wrap in a clock-wise direction.

Contact Us

For Customer Service please call 877-319-3757, or go to homeworksww.com.

Instructions

60-90010-CH – Chrome
60-90010-BN – PVD Brushed Nickel
60-90010-ORB – Brushed Bronze



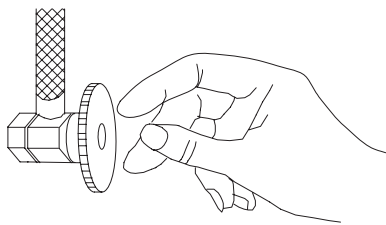
Certifications



Shower Head

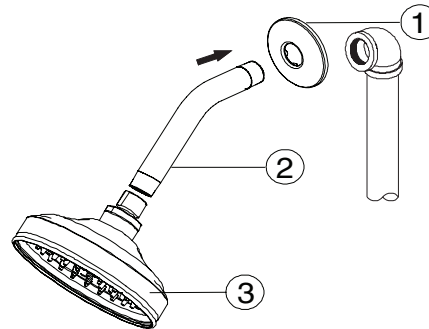
Preparation and Assembly

1



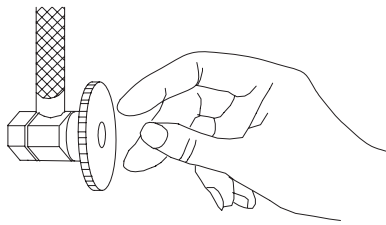
Locate water supply inlet and shut off water supply valve. Remove old shower head. Clean and dry surface area where new shower head will be mounted.

2



Insert the long end of the shower arm through the flange (1) then apply pipe tape or pipe thread compound to both ends of shower arm (2). Screw the long end of the shower arm into the pipe elbow inside the wall. Slide the flange (1) tight against the finished wall surface. Thread the shower head (3) onto the shower arm (2).

3



Turn on water supply inlet valves.

Specifications



Certifications

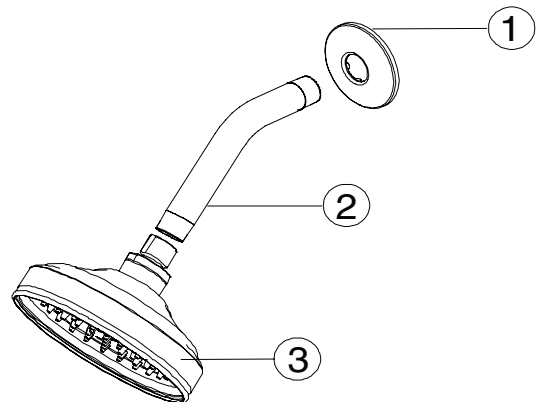


60-90010-CH – Chrome
60-90010-BN – PVD Brushed
Nickel
60-90010-ORB – Brushed Bronze

Physical Characteristics

- Description: Shower Head
- 8" sunflower design
- Includes matching arm and flange
- Meets ASME A112.18.1/CSA B125 requirements

No.	Part Description	Material
1	Flange	ABS PA727
2	Shower arm	ABS PA727
3	Shower head	Plastic+Brass



Specifications

60-90010-CH – Chrome
60-90010-BN – PVD Brushed Nickel
60-90010-ORB – Brushed Bronze



Certifications



Shower Head

