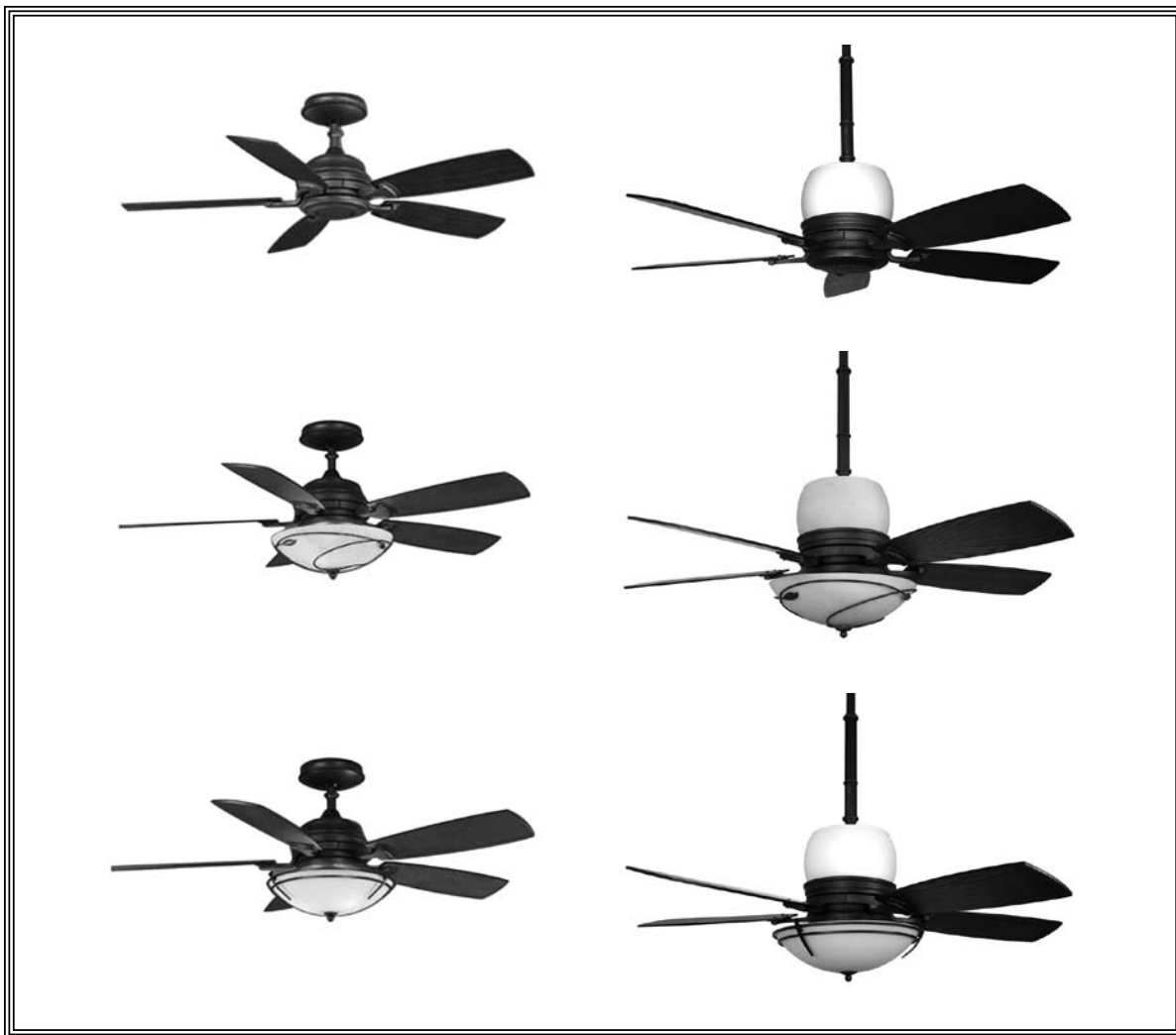


HUBBARDTON FORGE®



FANIMATION®

## Series Fans



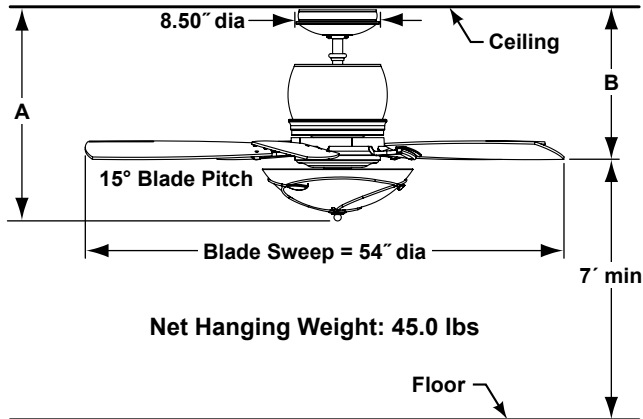
# SPECIFICATION SHEET

HUBBARDTON FORGE DESIGN, MANUFACTURED AND DISTRIBUTED BY FANIMATION

*Product Specifications subject to change*

# HUBBARDTON FORGE® SERIES

## HF7200BZ Leaf Fan



### INSTALLATION REQUIREMENTS:

Fan must be attached to a securely anchored electrical junction box capable of withstanding a load of at least 50 lbs.

### ELECTRICAL REQUIREMENTS:

Requires a grounded electrical supply line of 120 volts AC, 60 Hz, 15 amp circuit.

### MOTOR SPECS:

188 x 25 motor is designed for optimal performance with this fan.

### BLADES:

A set of five coffee finish wood blades is included.

### CONTROL OPTIONS:

C22 reversible remote control with switch cup receiver is included. Remote control unit has 3 speeds and infinitely-varying uplight and downlight controls. Optional C23 wall control is available—sold separately. Instructions are provided with each control.

### LIGHTING OPTIONS:

Decorative uplight kit with three 25-watt candelabra bulbs and Leaf downlight kit with three 40-watt candelabra bulbs are included. Maximum uplight wattage is not to exceed 75 watts and maximum downlight wattage is not to exceed 120 watts.

### DOWNROD OPTIONS:

Fan comes with a 1" dia. x 6" long downrod (DR1-6). Optional downrods available in 12", 18", 24", 36", 48", 60" and 72" lengths. Fan can be mounted on a sloped ceiling up to 30°. Most sloped ceiling installations require a downrod longer than the standard 6" downrod. Optional sloped ceiling ball kits (SCB1-52) are available for slope angles greater than 30° and up to 52°. Call technical support for more information.

### LOCATION USE:

Fan is dry location rated only. Damp location rated when used with optional all-weather composite blade set (BPW21CF).

	A	B
Fan w/6" downrod	16.26"	15.35"
Fan w/12" downrod	22.26"	21.35"
Fan w/18" downrod	28.26"	27.35"
Fan w/24" downrod	34.26"	33.35"
Fan w/36" downrod	46.26"	45.35"
Fan w/48" downrod	58.26"	57.35"
Fan w/60" downrod	70.26"	69.35"
Fan w/72" downrod	82.26"	81.35"

### Available Finish

Model	Fan Finish	Blade Finish	Glass
HF7200BZ	Bronze	Coffee	Stone

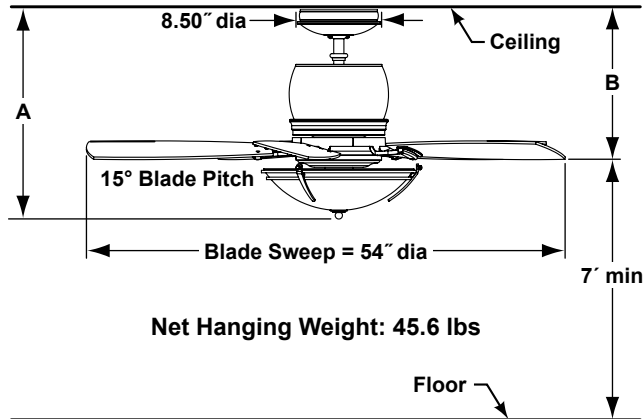
### Airflow / Energy Efficiency Info (120V)

Fan Speed	Max RPM	CFM	CFM / Watts	Amps	Watts
High	163	5784	81	0.61	72
Med	102	3470	109	0.39	32
Low	64	2052	136	0.26	15



## HUBBARDTON FORGE® SERIES

# HF7600DS Presidio Tryne™ Fan



	A	B
Fan w/6" downrod	21.45"	15.35"
Fan w/12" downrod	27.45"	21.35"
Fan w/18" downrod	33.45"	27.35"
Fan w/24" downrod	39.45"	33.35"
Fan w/36" downrod	51.45"	45.35"
Fan w/48" downrod	63.45"	57.35"
Fan w/60" downrod	75.45"	69.35"
Fan w/72" downrod	87.45"	81.35"

### INSTALLATION REQUIREMENTS:

Fan must be attached to a securely anchored electrical junction box capable of withstanding a load of at least 50 lbs.

### ELECTRICAL REQUIREMENTS:

Requires a grounded electrical supply line of 120 volts AC, 60 Hz, 15 amp circuit.

### MOTOR SPECS:

188 x 25 motor is designed for optimal performance with this fan.

### BLADES:

A set of five coffee slate wood blades is included.

### CONTROL OPTIONS:

C22 reversible remote control with switch cup receiver is included. Remote control unit has 3 speeds and infinitely-varying uplight and downlight controls. Optional C23 wall control is available—sold separately. Instructions are provided with each control.

### LIGHTING OPTIONS:

Decorative uplight kit with three 25-watt candelabra bulbs and Presidio Tryne™ downlight kit with three 40-watt candelabra bulbs are included. Maximum uplight wattage is not to exceed 75 watts and maximum downlight wattage is not to exceed 120 watts.

### DOWNROD OPTIONS:

Fan comes with a 1" dia. x 6" long downrod (DR1-6). Optional downrods available in 12", 18", 24", 36", 48", 60" and 72" lengths. Fan can be mounted on a sloped ceiling up to 30°. Most sloped ceiling installations require a downrod longer than the standard 6" downrod. Optional sloped ceiling ball kits (SCB1-52) are available for slope angles greater than 30° and up to 52°. Call technical support for more information.

### LOCATION USE:

Fan is dry location rated only. Damp location rated when used with optional all-weather composite blade set (BPW21CF).

### Available Finish

Model	Fan Finish	Blade Finish	Glass
HF7600DS	Dark Smoke	Slate	Opal

### Airflow / Energy Efficiency Info (120V)

Fan Speed	Max RPM	CFM	CFM / Watts	Amps	Watts
High	163	5784	81	0.61	72
Med	102	3470	109	0.39	32
Low	64	2052	136	0.26	15

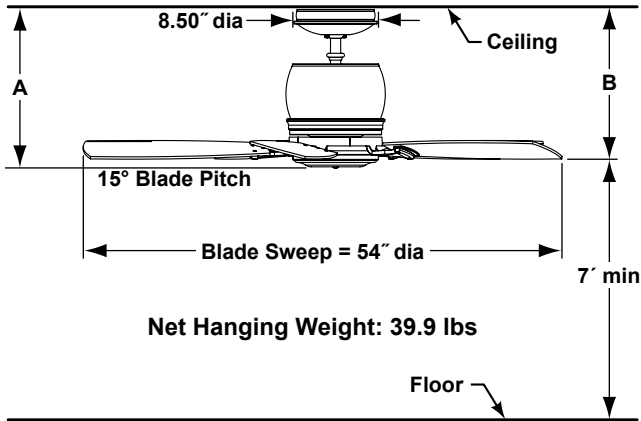
All Hubbardton Forge designs, the mark HUBBARDTON FORGE and the design of the tongs are trademarks or registered trademarks of Hubbardton Forge Corporation.

HUBBARDTON FORGE®

FANIMATION®

# HUBBARDTON FORGE® SERIES

## HF7240\*\* Standard Uplight Fan



	A	B
Fan w/6" downrod	16.26"	15.35"
Fan w/12" downrod	22.26"	21.35"
Fan w/18" downrod	28.26"	27.35"
Fan w/24" downrod	34.26"	33.35"
Fan w/36" downrod	46.26"	45.35"
Fan w/48" downrod	58.26"	57.35"
Fan w/60" downrod	70.26"	69.35"
Fan w/72" downrod	82.26"	81.35"

### INSTALLATION REQUIREMENTS:

Fan must be attached to a securely anchored electrical junction box capable of withstanding a load of at least 50 lbs.

### ELECTRICAL REQUIREMENTS:

Requires a grounded electrical supply line of 120 volts AC, 60 Hz, 15 amp circuit.

### MOTOR SPECS:

188 x 25 motor is designed for optimal performance with this fan.

### BLADES:

A set of five wood blades is included.

### CONTROL OPTIONS:

C22 reversible remote control with switch cup receiver is included. Remote control unit has 3 speeds and infinitely-varying uplight and downlight controls. Optional C23 wall control is available—sold separately. Instructions are provided with each control.

### LIGHTING OPTIONS:

Decorative uplight kit with three 25-watt candelabra bulbs is included. Maximum uplight wattage is not to exceed 75 watts.

### DOWNROD OPTIONS:

Fan comes with a 1" dia. x 6" long downrod (DR1-6). Optional downrods available in 12", 18", 24", 36", 48", 60" and 72" lengths. Fan can be mounted on a sloped ceiling up to 30°. Most sloped ceiling installations require a downrod longer than the standard 6" downrod. Optional sloped ceiling ball kits (SCB1-52) are available for slope angles greater than 30° and up to 52°. Call technical support for more information.

### LOCATION USE:

Fan is dry location rated only. Damp location rated when used with optional all-weather composite blade set (BPW21CF).

### Available Finishes

Model	Fan Finish	Blade Finish	Glass
HF7240BZ	Bronze	Coffee	Stone
HF7240DS	Dark Smoke	Slate	Opal

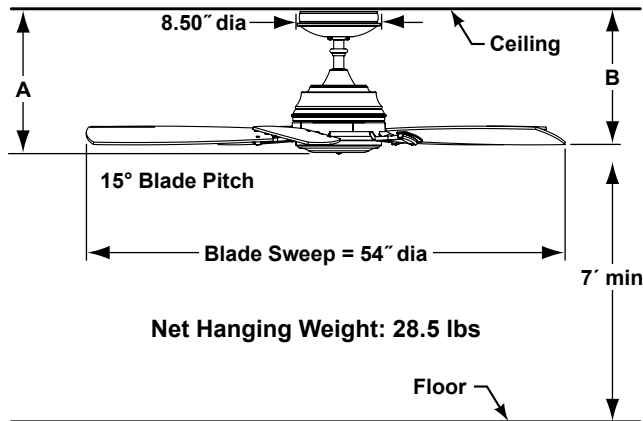
### Airflow / Energy Efficiency Info (120V)

Fan Speed	Max RPM	CFM	CFM / Watts	Amps	Watts
High	163	5784	81	0.61	72
Med	102	3470	109	0.39	32
Low	64	2052	136	0.26	15



## HUBBARDTON FORGE® SERIES

# HF6050\*\* Standard Fan



	A	B
Fan w/6" downrod	14.59"	13.68"
Fan w/12" downrod	20.59"	19.68"
Fan w/18" downrod	26.59"	25.68"
Fan w/24" downrod	32.59"	31.68"
Fan w/36" downrod	44.59"	43.68"
Fan w/48" downrod	56.59"	55.68"
Fan w/60" downrod	68.59"	67.68"
Fan w/72" downrod	80.59"	79.68"

### INSTALLATION REQUIREMENTS:

Fan must be attached to a securely anchored electrical junction box capable of withstanding a load of at least 50 lbs.

### ELECTRICAL REQUIREMENTS:

Requires a grounded electrical supply line of 120 volts AC, 60 Hz, 15 amp circuit.

### MOTOR SPECS:

188 x 25 motor is designed for optimal performance with this fan.

### BLADES:

A set of five wood blades is included.

### CONTROL OPTIONS:

C20 reversible remote control with switch cup receiver is included. Remote control unit has 3 speeds and infinitely-varying downlight controls (light not included on fan). Optional C21 wall control is available—sold separately. Instructions are provided with each control.

### DOWNROD OPTIONS:

Fan comes with a 1" dia. x 6" long downrod (DR1-6). Optional downrods available in 12", 18", 24", 36", 48", 60" and 72" lengths. Fan can be mounted on a sloped ceiling up to 30°. Most sloped ceiling installations require a downrod longer than the standard 6" downrod. Optional sloped ceiling ball kits (SCB1-52) are available for slope angles greater than 30° and up to 52°. Call technical support for more information.

### LOCATION USE:

Fan is dry location rated only. Damp location rated when used with optional all-weather composite blade set (BPW21CF).

### Available Finishes

Model	Fan Finish	Blade Finish
HF6050BZ	Bronze	Coffee
HF6050DS	Dark Smoke	Slate
HF6050MH	Mahogany	Coffee

### Airflow / Energy Efficiency Info (120V)

Fan Speed	Max RPM	CFM	CFM / Watts	Amps	Watts
High	163	5784	81	0.61	72
Med	102	3470	109	0.39	32
Low	64	2052	136	0.26	15

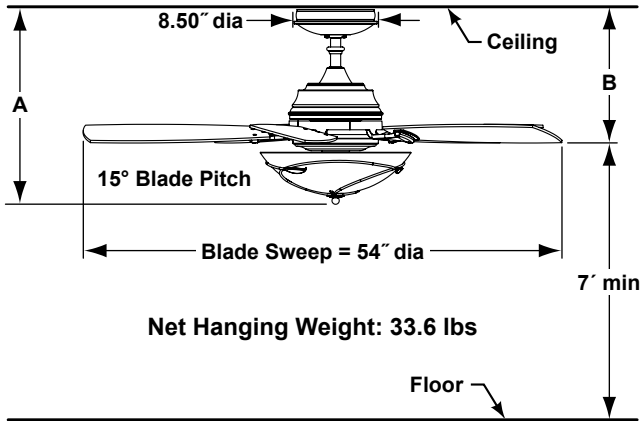
All Hubbardton Forge designs, the mark HUBBARDTON FORGE and the design of the tongs are trademarks or registered trademarks of Hubbardton Forge Corporation.

HUBBARDTON FORGE®

FANIMATION®

# HUBBARDTON FORGE® SERIES

## HF6200\*\* Standard Leaf Fan



	A	B
Fan w/6" downrod	19.97"	13.68"
Fan w/12" downrod	25.97"	19.68"
Fan w/18" downrod	31.97"	25.68"
Fan w/24" downrod	37.97"	31.68"
Fan w/36" downrod	49.97"	43.68"
Fan w/48" downrod	61.97"	55.68"
Fan w/60" downrod	73.97"	67.68"
Fan w/72" downrod	85.97"	79.68"

### INSTALLATION REQUIREMENTS:

Fan must be attached to a securely anchored electrical junction box capable of withstanding a load of at least 50 lbs.

### ELECTRICAL REQUIREMENTS:

Requires a grounded electrical supply line of 120 volts AC, 60 Hz, 15 amp circuit.

### MOTOR SPECS:

188 x 25 motor is designed for optimal performance with this fan.

### BLADES:

A set of five wood blades is included.

### CONTROL OPTIONS:

C20 reversible remote control with switch cup receiver is included. Remote control unit has 3 speeds and infinitely-varying downlight controls (light not included on fan). Optional C21 wall control is available—sold separately. Instructions are provided with each control.

### LIGHTING OPTIONS:

Leaf downlight kit with three 40-watt candelabra bulbs is included. Maximum downlight wattage is not to exceed 120 watts.

### DOWNROD OPTIONS:

Fan comes with a 1" dia. x 6" long downrod (DR1-6). Optional downrods available in 12", 18", 24", 36", 48", 60" and 72" lengths. Fan can be mounted on a sloped ceiling up to 30°. Most sloped ceiling installations require a downrod longer than the standard 6" downrod. Optional sloped ceiling ball kits (SCB1-52) are available for slope angles greater than 30° and up to 52°. Call technical support for more information.

### LOCATION USE:

Fan is dry location rated only. Damp location rated when used with optional all-weather composite blade set (BPW21CF).

### Available Finishes

Model	Fan Finish	Blade Finish	Glass
HF6200BZ	Bronze	Coffee	Stone
HF6200DS	Dark Smoke	Slate	Opal
HF6200MH	Mahogany	Coffee	Stone

### Airflow / Energy Efficiency Info (120V)

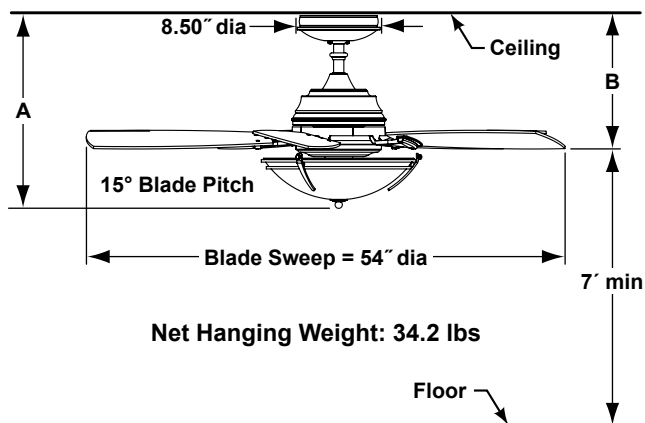
Fan Speed	Max RPM	CFM	CFM / Watts	Amps	Watts
High	163	5784	81	0.61	72
Med	102	3470	109	0.39	32
Low	64	2052	136	0.26	15



## HUBBARDTON FORGE® SERIES

### HF6600\*\*

## Standard Presidio Tryne™ Fan



	A	B
Fan w/6" downrod	19.77"	13.68"
Fan w/12" downrod	25.77"	19.68"
Fan w/18" downrod	31.77"	25.68"
Fan w/24" downrod	37.77"	31.68"
Fan w/36" downrod	49.77"	43.68"
Fan w/48" downrod	61.77"	55.68"
Fan w/60" downrod	73.77"	67.68"
Fan w/72" downrod	85.77"	79.68"

#### INSTALLATION REQUIREMENTS:

Fan must be attached to a securely anchored electrical junction box capable of withstanding a load of at least 50 lbs.

#### ELECTRICAL REQUIREMENTS:

Requires a grounded electrical supply line of 120 volts AC, 60 Hz, 15 amp circuit.

#### MOTOR SPECS:

188 x 25 motor is designed for optimal performance with this fan.

#### BLADES:

A set of five wood blades is included.

#### CONTROL OPTIONS:

C20 reversible remote control with switch cup receiver is included. Remote control unit has 3 speeds and infinitely-varying downlight controls (light not included on fan). Optional C21 wall control is available—sold separately. Instructions are provided with each control.

#### LIGHTING OPTIONS:

Presidio Tryne™ downlight kit with three 40-watt candelabra bulbs is included. Maximum downlight wattage is not to exceed 120 watts.

#### DOWNROD OPTIONS:

Fan comes with a 1" dia. x 6" long downrod (DR1-6). Optional downrods available in 12", 18", 24", 36", 48", 60" and 72" lengths. Fan can be mounted on a sloped ceiling up to 30°. Most sloped ceiling installations require a downrod longer than the standard 6" downrod. Optional sloped ceiling ball kits (SCB1-52) are available for slope angles greater than 30° and up to 52°. Call technical support for more information.

#### LOCATION USE:

Fan is dry location rated only. Damp location rated when used with optional all-weather composite blade set (BPW21CF).

#### Available Finishes

Model	Fan Finish	Blade Finish	Glass
HF6600BZ	Bronze	Coffee	Stone
HF6600DS	Dark Smoke	Slate	Opal
HF6600MH	Mahogany	Coffee	Stone

#### Airflow / Energy Efficiency Info (120V)

Fan Speed	Max RPM	CFM	CFM / Watts	Amps	Watts
High	163	5784	81	0.61	72
Med	102	3470	109	0.39	32
Low	64	2052	136	0.26	15

All Hubbardton Forge designs, the mark HUBBARDTON FORGE and the design of the tongs are trademarks or registered trademarks of Hubbardton Forge Corporation.

HUBBARDTON FORGE®

FANIMATION®

HUBBARDTON FORGE®



*All Hubbardton Forge designs, the mark HUBBARDTON FORGE and the design of the tongs are trademarks or registered trademarks of Hubbardton Forge Corporation.*

**10983 Bennett Parkway**

**Zionsville, IN 46077**

**Toll Free (888) 567-2055**

**FAX (866) 482-5215**

**Outside U.S. call (317) 733-4113**

**Visit Our Website [www.fanimation.com](http://www.fanimation.com)**

american  
lighting  
association