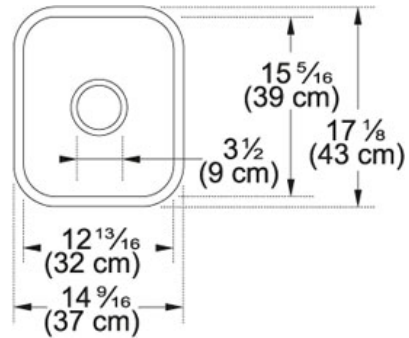


SPECIFICATION SHEET

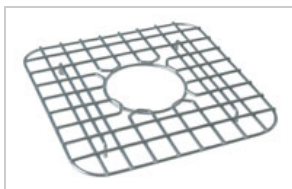
PRODUCT FAMILY: Sinks FINISH: Fireclay Matte White SERIES: CISTERNA MODEL: CCK110-13



Product Information

FUN#	126.0256.640
US Part Number	CCK110-13MW
Minimum Cabinet Size	18"
Drain Opening	3 1/2"
Outer Dimensions	14 9/16"x17 1/8"x8 5/8"
Bowl Size	12 3/8"x15 5/16"x7 7/8"
Number of Bowls	1
Cut-Out Size	435 mmx370 mm
*	Dimensions may vary by 2% (plus or minus) due to material attributes and firing process.
Type of Material	Fireclay

Accessories



112.0066.221

Suggested Products



112.0048.590



115.0196.965



120.0175.321