

Brighton - 60" Rolltop Tub

LRT-160 (Tub Only)

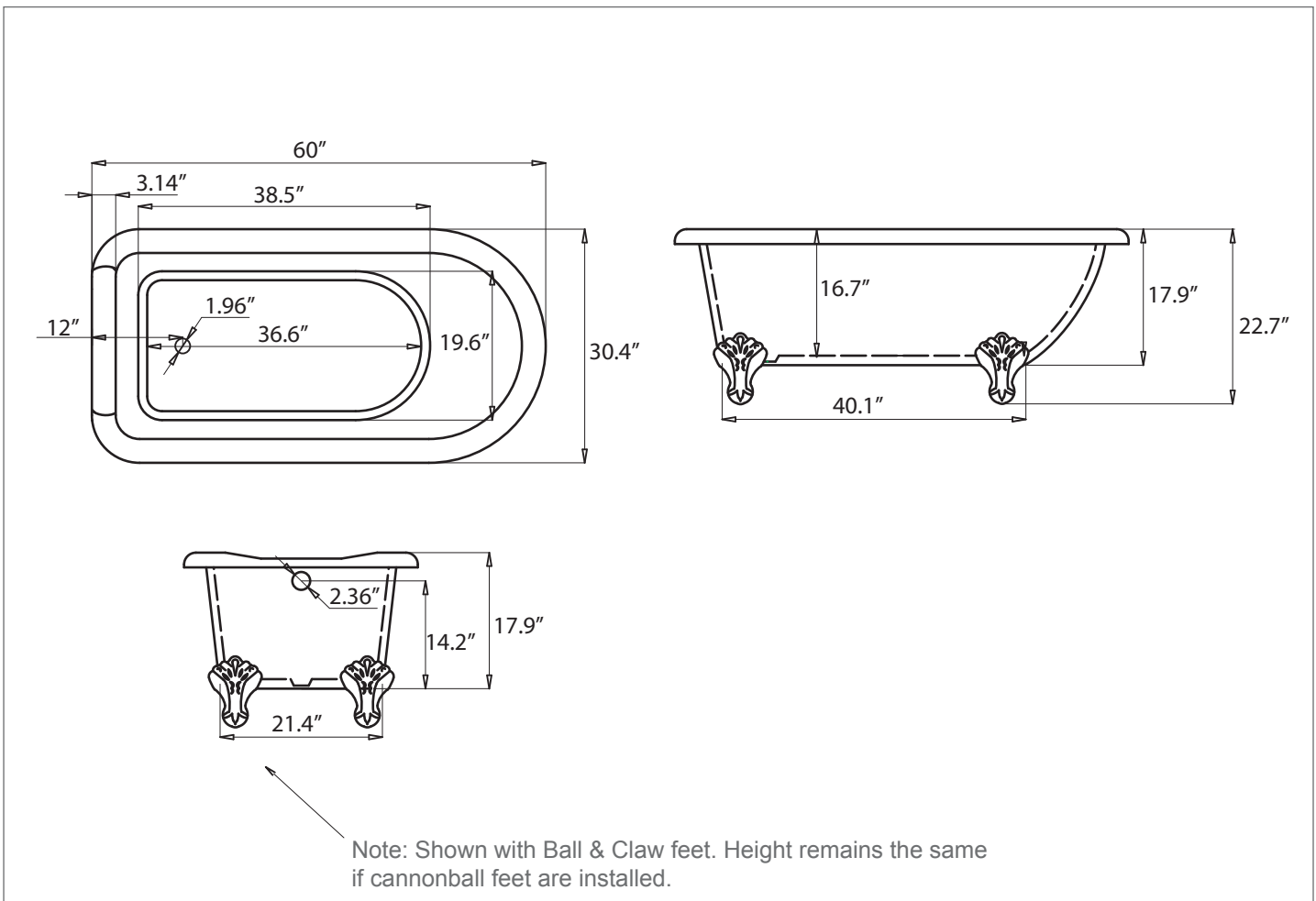


Technical Information

- Toll-Free helpline: 888-560-5222
- Capacity: 48 Gallons
- Empty Tub Weight: 91 lbs
- Filled Tub Weight: 483 lbs
- Water Depth: 11-4/5"
- High Gloss, stain resistant acrylic
- Double-wall with structural composite used between acrylic to provide strength, rigidity and superior heat retention.
- Requires T-TDRN or T-CDRN drain

Warranty

Limited 25 year warranty to the original consumer purchaser covering defects in material and workmanship on tubs and bases. 5 Year limited finish warranty on tub feet. See complete warranty statement for details



All measurements are approximations and should be used for reference only. Giagni reserves the right to make specification and pricing changes without notice or obligation, and to change or discontinue models and finishes. All rights reserved. © Giagni 2008



Giagni

548 South Columbus Avenue
Mount Vernon, New York 10550
1-888-560-5222
www.giagni.com