

# PARTS & ASSEMBLY SHEET

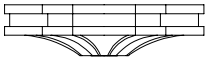
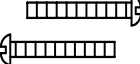
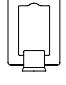


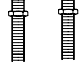

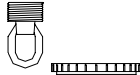
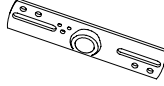


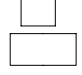
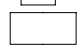
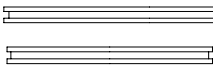
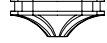
Fixture Name: **Sterne 1054-3P ST**

This fixture assembled PO: \_\_\_\_\_ Date: \_\_\_\_\_

**Notice:** Please review the parts listing and check for all parts before assembling the fixture. If any parts are missing or damaged, please note on this sheet and contact the place of purchase to arrange for replacement parts.

## PARTS LIST

Company Name: \_\_\_\_\_ Co. Account #: \_\_\_\_\_  
to be filled out by retailer

Canopy	1ea 	Mounting Screws	2ea 	Top loop	1ea 
Chain	6ft 	Wire Connectors	2ea 	Nipple-A Nipple-B	1ea 
Chain connector	2ea 	Canopy Loop with Collar	1ea 	Mounting Strap	1ea 
Rubber washer	1ea 	Hex Nut	3ea 	Deco Screw (U) Finial (V)	12ea  1ea 
Fixture ring-A Fixture ring-B	1ea 			Bottom cap	1ea 
Part Needed	_____			Quantity	_____
Part Needed	_____			Quantity	_____
Reason why Comments	( missing, scratched, broken glass, bent, bad finish) _____				

### FIXTURE ASSEMBLY INSTRUCTIONS

Read and review installation instruction sheet before assembling the fixture.

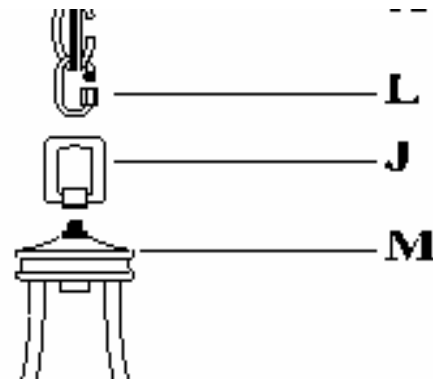
1054-3P ST

#### ASSEMBLING THE FIXTURE (Fig.1)

1. Feed the fixture wires through the Top loop (J) and pull the wires until taut.
2. Then screw the Top Loop (J) to the threaded center column of Frame (M) until tight.

**NOTE:** INSTALL THE GLASS ASSEMBLY AFTER THE FIXTURE IS HUNG.

Fig 1

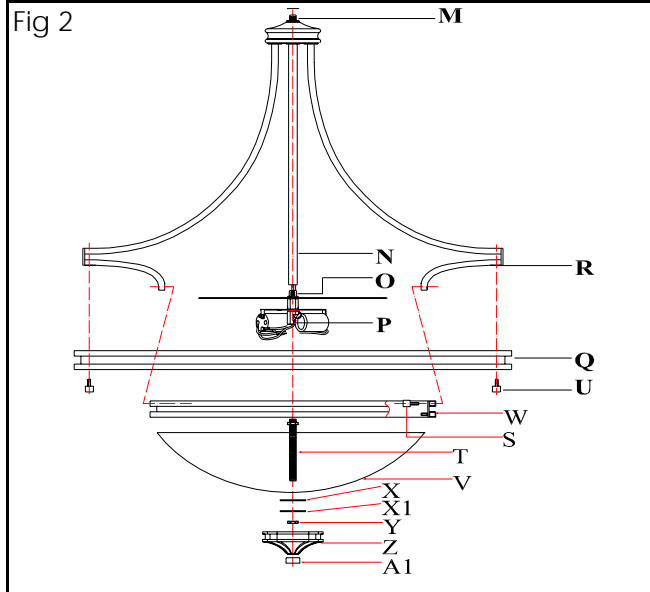


# PARTS & ASSEMBLY SHEET

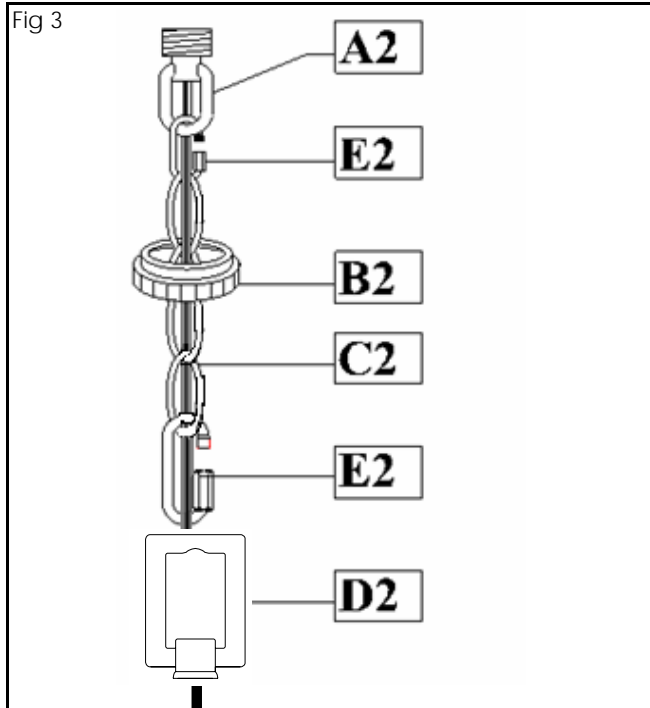
Fixture Name: Sterne 1054-3P ST

## ASSEMBLING THE FIXTURE (Fig.2)

3. Gently spread the arms until evenly spaced if arms are packed closed.
4. Unscrew the Deco screws (U and S) from the Arms (R) and save.
5. Bring the large Fixture ring (Q) up to the Arms and align the hole in the Fixture ring (Q) with hole in Arm (R). Fasten with the Deco screw (U).
6. Repeat with remaining arms and Deco screws.
7. Bring the small Fixture ring (W) up to the inside of Arms and align the hole in the Fixture ring (W) with hole in Arm (R). Fasten with the Deco screw (S).



8. By measuring determine correct number of links needed for proper hanging height. Use a pair of pliers to open one link of the Chain (C2) then remove the excess Chain (C2) and discard it.



8. Use one chain connector (E2) to attach one end of the chain to the Top loop (D2) and close the chain connector.
9. Feed the fixture wires through the Chain (every three links) and pull the wires until taut.
10. Slip Canopy loop collar (B2) over the chain, then do the same with the canopy (F2).

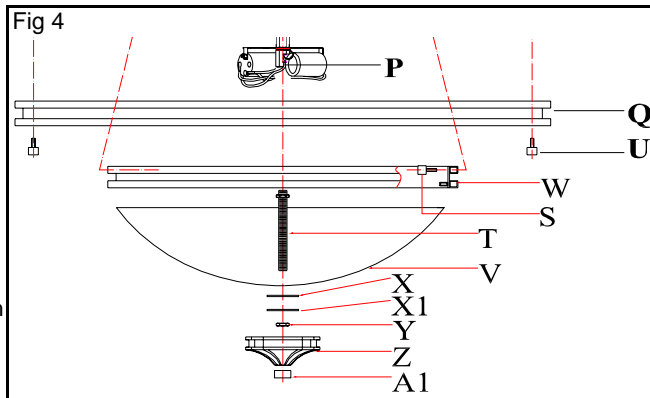
1. When ready to complete the installation Use the other chain connector and attach the other end of the chain to the canopy loop (A2) and close the chain connector.

12. Make sure the weight of the chandelier will be supported by the chain-not the electrical wire.

\* You may now install the fixture.

Note: Complete these remaining steps after the fixture is hung.

13. Thread the Nipple (T) onto the socket assembly coupler (P), secure with the hex nut. 14. Install the light bulbs in accordance with the fixture's specifications. 15. Slide the Rubber washer (X), Gasket (X1) and Glass shade (V) over the Nipple (T) in place, secure with the Hex nut (Y). Slide the Bottom cap (Z) over the Nipple (T), secure in place with the Finial (A1).



**(DO NOT EXCEED MAXIMUM WATTAGE RATING)**

For Customer Service, contact the place of purchase to arrange for replacement parts.

**WARNING ! SHUT OFF POWER AT FUSE OR CIRCUIT BREAKER.**

**HANGING THE FIXTURE (Fig.1)**

1. Carefully remove the new fixture from the carton and the yellow bag that holds all parts. Check that all parts are included as shown in the illustration and parts list.
2. Shut off the power at the circuit breaker and remove old fixture from ceiling, including the old mounting strap.
3. Thread Nipple(C) into Canopy Loop (F) until snug.
4. Thread other end of the Nipple (C) with Canopy Loop attached into Mounting Strap (D).
5. Place Lock Washer (B) over end of Nipple (C) protruding through Mounting Strap (D) and thread Hex Nuts (A) onto Nipple until tight.
6. Take this mounting strap assembly and mount to ceiling junction box with junction box Screws (E). Tighten screw securely with screw driver.
7. Unscrew the Canopy loop collar(H) from the Canopy loop. Take the canopy and pass over the Canopy loop. approximately one half of the canopy loop exterior threads should be exposed. Adjust until desired height is reached. \*the Canopy loop collar should fit snugly on the Canopy loop after the canopy is installed. Remove Canopy and Canopy lock collar.
8. Assemble the fixture and have an assistant or secure support hold the weight of the fixture while you complete the wiring connections.
9. Thread the fixture wires and ground wire of the assembled fixture through the canopy loop and nipple and into the outlet box.

**CONNECTING THE WIRES (Fig 2)**

10. Attach the power supply wires to the fixture lead wires by connecting BLACK to BLACK (or SMOOTH) and WHITE to WHITE (or RIBBED).
  11. Attach the GROUND wire(GREEN or COPPER) from the Junction Box and the fixture Ground wire to the green Ground Screw on the Mounting Bracket (D) or connect both wires together using the correct size of wire connectors.
- NOTE:** Twist the wires together in the same direction you twist the wire connector onto the wires.
12. Tuck these wire connections neatly into the Junction Box.
  13. Raise Canopy (G) to the ceiling and secure in place by tightening the Canopy loop collar(H) into the Canopy Loop(F)
  14. Install the light bulbs and glass shade as per the fixture assembly sheet.

Fig. 1

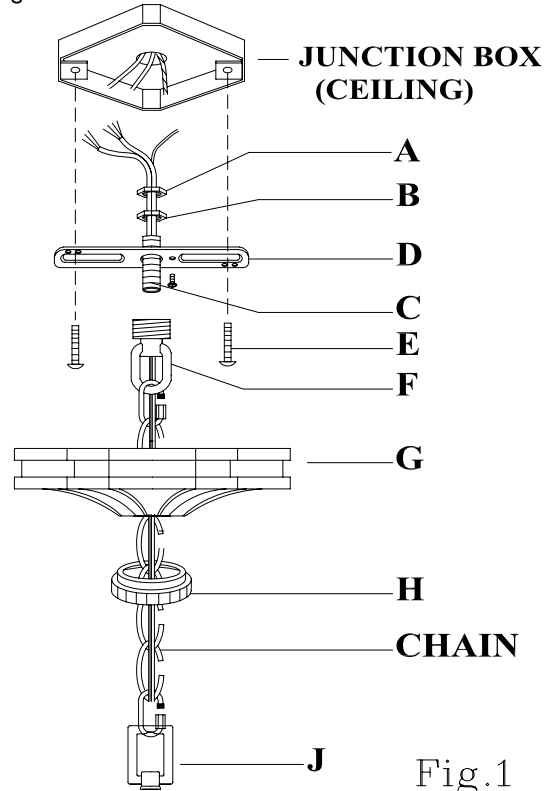
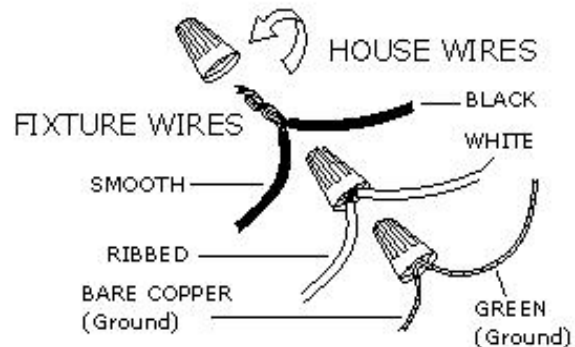


Fig.1

Fig. 2



**YOUR INSTALLATION IS NOW COMPLETE. RETURN POWER TO THE JUNCTION BOX AND TEST THE FIXTURE.**