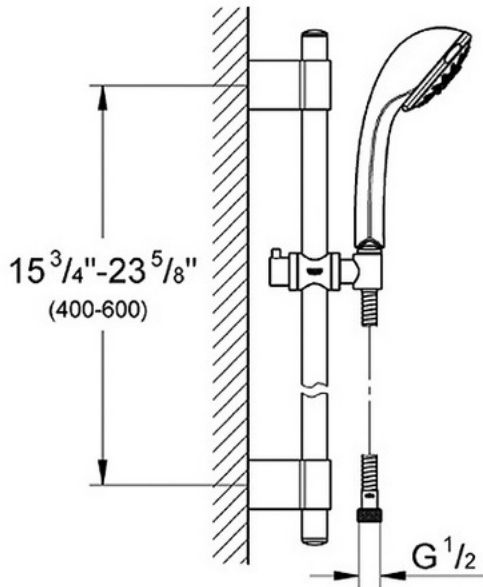


# Relaxa Ultra 28 917

## 5 Shower System



### Description

---

Relaxa Ultra hand Shower (28 897)  
GROHE DreamSpray®; Technology  
SpeedClean®; Anti-Lime System  
Swivel hand shower holder with adjustable height  
Variable fixing point mounting brackets for easy retrofit and corner mounting  
Multi-function mounting brackets also serve as a hose guide

### Flow Rate

---

2.5 gpm at 80 psi (9.5 lpm)

### Code Compliance

---

- \* ASME/ANSI A112.18.M
- \* ASSE Standard 1016
- \* ANSI/NSF Standard 61

### Finish Options

---

- 28 917 OOO Chrome
- 28 917 ENO Infinity Brushed Nickel