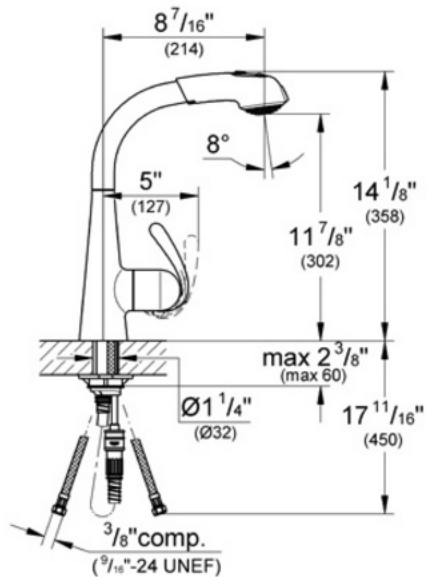


33 893 Main Sink Dual Spray Pull-Out



Description

Grohe RealSteel® Stainless Steel Construction- produced from solid, Grade 304 stainless steel (SD0 only)
000, DC0=Solid Brass Body
GROHE SilkMove® Ceramic Cartridge
SpeedClean® Anti-Lime System
Locking Dual Spray Control-- switches back and forth between regular flow and spray
Stainless Steel Braided Flexible Supplies
Quick Installation System
Single Lever Handle
Forward Rotation Lever, does not hit backsplash
8 7/16" Spout Reach



Flow Rate

2.2 gpm at 45 psi, 2.5 gpm at 80 psi
(9.5 lpm)

Code Compliance

ASME/ANSI A112.18.1M
ANSI/NSF Standard 61
ADA Compliant

Finish Options

33 893 000 Starlight® Chrome
33 893 SD0 Stainless Steel
33 893 DCO SuperSteel