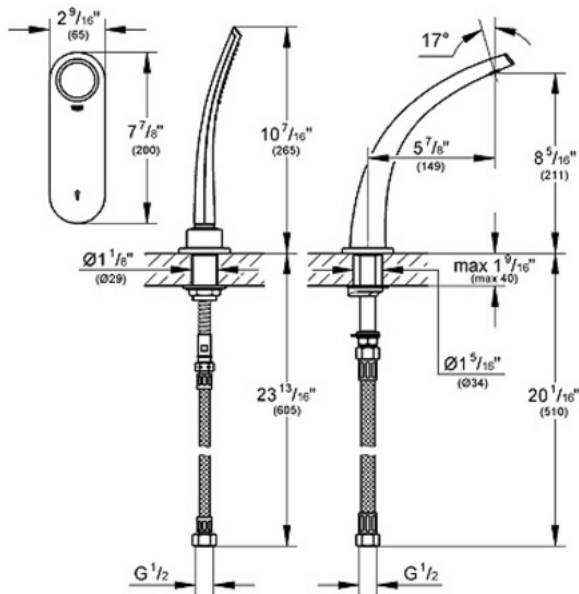


## 36 056 Digital Deck Mount Roman Tub Filler with Hand Shower



### Description

-AVAILABLE ONLY THROUGH AUTHORIZED GROHE ONDUS SHOWROOMS-

Advance touch operating panel with backlit icons  
Integrated digital display and user-friendly menu navigation

2 programmable personalized pre-sets;  
His & Hers

3 control options for hand shower, bath filler or additional shower head

6 function options: digital temperature control  $\pm$ ;  
digital water flow control  $\pm$ ; start & pause control;  
clock setting; standby design set; and calibration set

Ribbon flow tub filler

Wide spray hand shower

GROHE Ondus hand shower 27 145

Safety stop function

Displayed battery status indicator

3 hole installation

Protected against backflow

Metal shower hose 79 inches

Automatic safety shut-off (programmable)

Extra low voltage supply 6 V DC incl. cable protection and cables

### Flow Rate

Maximum 5.3 gpm water flow rate (tub filler)  
2.5 gpm (hand shower)

### Code Compliance

ASME/ANSI A112.18.1M

ADA Compliant

### Finish Options

36 056 OOO Starlight® Chrome

36 056 KS0 Velvet Black

36 056 LS0 Moon White

36 056 BS0 Titanium