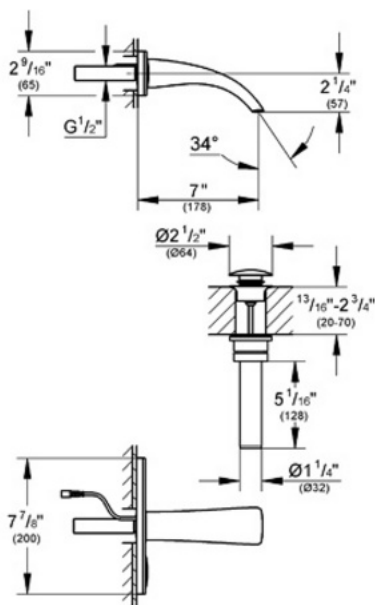


36 054 Digital Wall Mount Vessel Trim



Description

-AVAILABLE ONLY THROUGH AUTHORIZED GROHE ONDUS SHOWROOMS-

Advance touch operating panel with backlit icons
Integrated digital display and user-friendly menu navigation

Integrated temperature sensor

6 function options: digital temperature control \pm ;
digital water flow control \pm ; start & pause control;
clock setting; standby design set; and calibration set

GROHE Ondus ribbon flow

One-touch, spring action pop-up drain

Automatic safety shut-off (programmable with default setting)

7" Spout

Single-hole installation

Battery status indicator on display

Battery back-up emergency power supply
(6 V lithium battery, typ CR-P2)

AC power supply 120 V AC / 6 V DC

Upgrade option with pre-set panel 45 983 KS0 (for 000, KS0, BS0) or 45 983 LS0

Requires use of concealed unit 36 070 and installation kit 36 075

Flow Rate

Maximum 1.6 gpm water flow rate

Code Compliance

ASME/ANSI A112.18.1M

ADA Compliant

Finish Options

36 054 000 Starlight® Chrome

36 054 KS0 Velvet Black

36 054 LS0 Moon White

36 054 BS0 Titanium