

19 491 Pressure Balance Diverter Valve Trim (Trio Spoke Handle)



Description

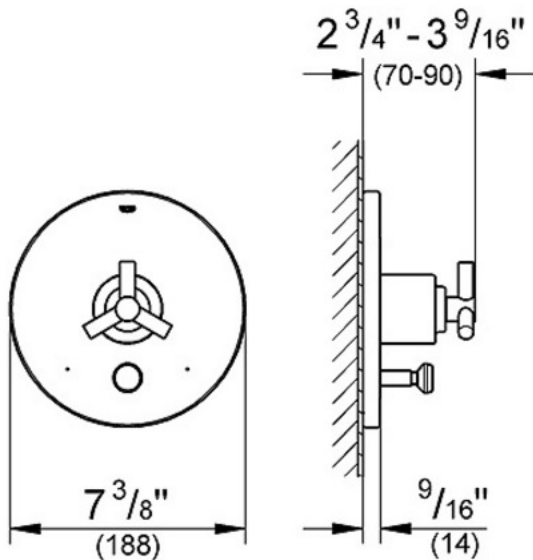
For use with Grohsafe® Rough-In Valve with Built-In Diverter 35 016 (sold separately)

Flow Rate

N/A

Finish Options

- 19 491 000 Starlight® Chrome
- 19 491 BE0 Sterling Infinity Finish
- 19 491 EN0 Infinity Brushed Nickel



27 135 Shower Head



Description

6 1/4" face
4 spray patterns
1/2" NPT Female Threads
GROHE DreamSpray® Technology
SpeedClean® Anti-Lime System

Flow Rate

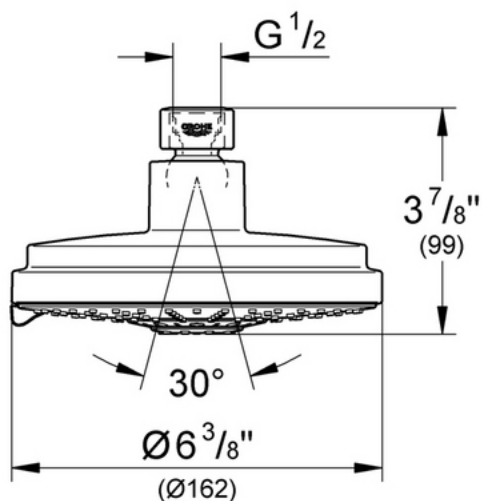
N/A

Code Compliance

ASME/ANSI A112.18.1M

Finish Options

27 135 OOO Starlight® Chrome
27 135 BEO Sterling Infinity Finish
27 135 ENO Infinity Brushed Nickel
27 135 ZBO Oil Rubbed Bronze



Accessories 27 414

Tubular shower arm



Description

5 5/8" tubular shower arm
with flange
1/2" male threads

Flow Rate

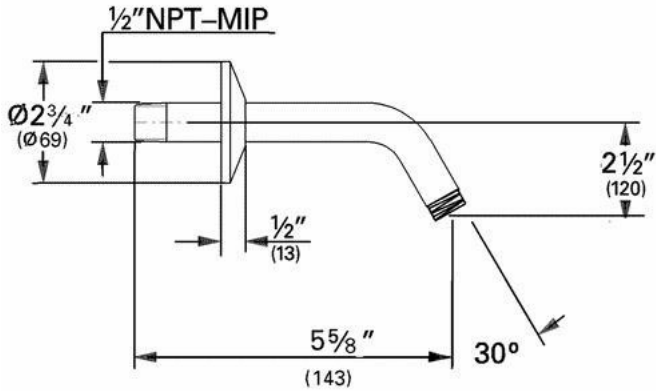
N/A

Code Compliance

* ASME/ANSI A112.18.M

Finish Options

27 414 000 Chrome



Atrio 13 164

Wall Mount Tub Spout



Description

6 1/2" wall mount spout
1/2" inlet

Flow Rate

N/A

Code Compliance

* ASME/ANSI A112.18.M

Finish Options

- 13 164 OOO Chrome
- 13 164 AVO Infinity Satin Nickel
- 13 164 BEO Sterling Infinity Finish
- 13 164 ENO Infinity Brushed Nickel

