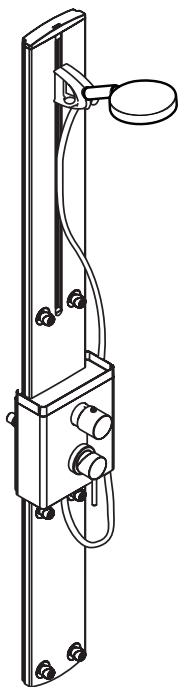


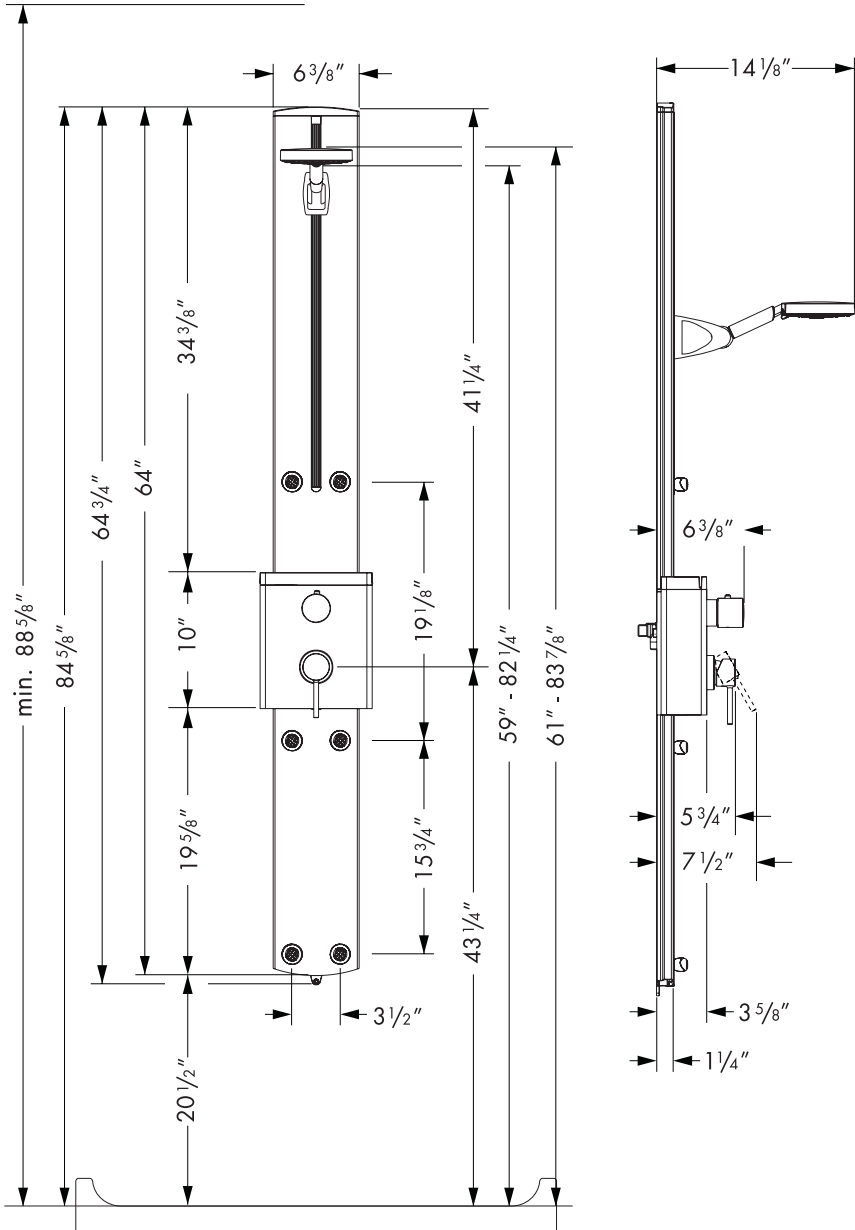
Installation Instructions / Warranty



Raindance Showerpanel
27005XX1

hansgrohe

Raindance Showerpanel 27005XX1



Technical Data

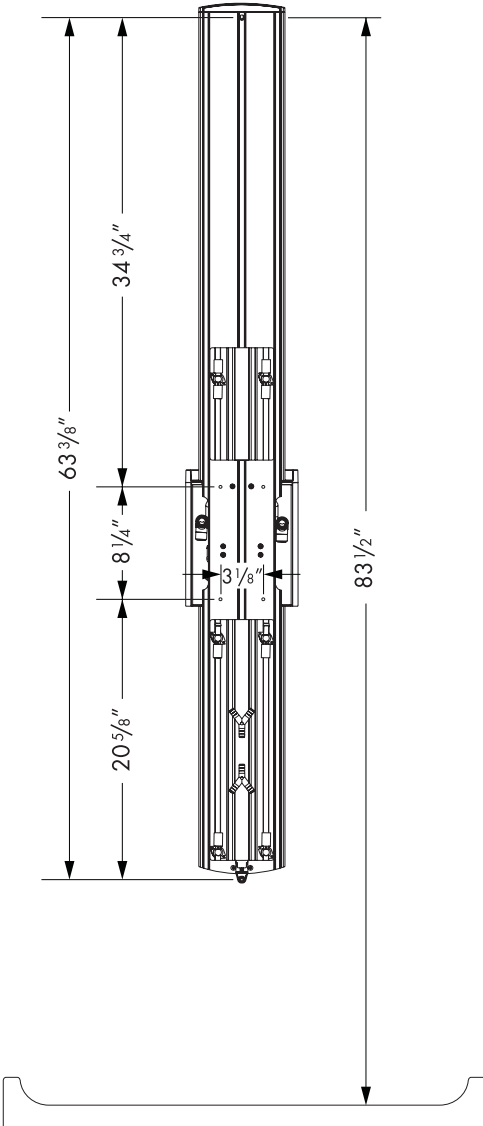
Operating pressure:	max. 145 psi
Recommended pressure:	30 - 60 psi
Test pressure:	232 psi
Max. hot water temp.:	176° F*
Recommended hot water temp.:	120°F - 140°F*

Flow rate @ 45 psi	
Handshower	2.5 gpm
Bodysprays	<1 gpm each

Protection against back siphonage is provided by check valves in the hot and cold supply elbows.

This panel incorporates a thermostatic mixing valve. The high temperature limit stop on the mixing valve can be reset to comply with local plumbing codes. See page 10.

*Know and follow all applicable local plumbing codes when setting the temperature on the water heater.



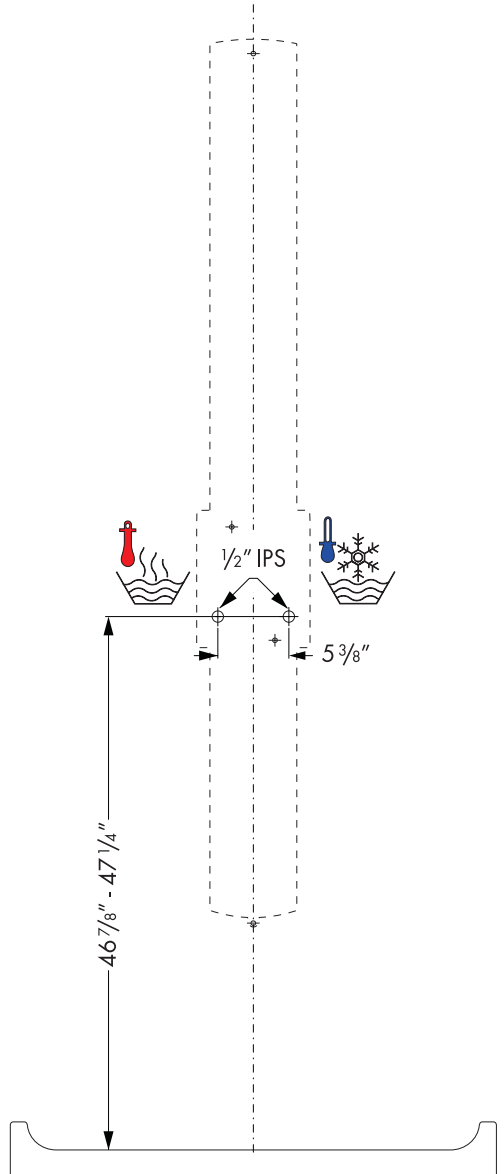
Preparation for Installation

Install 1/2" IPS nipples for the hot and cold water supplies at the locations shown on the diagram. The nipples should extend 5/8" outside the surface of the finish wall.

For proper operation of the unit, the hot supply should be on the left, and the cold supply should be on the right.

Install the wall surface material. Make sure that the wall is watertight before installing the panel.

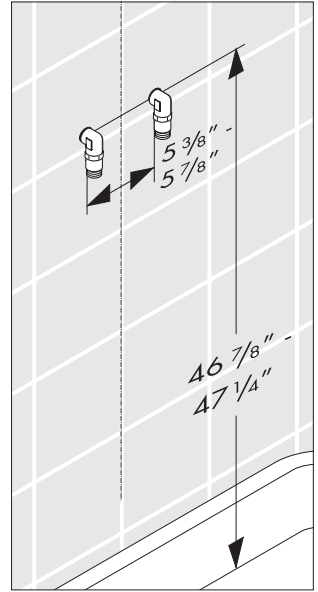
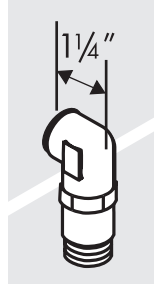
Seal the wall around the nipples with waterproof sealant.



Installation

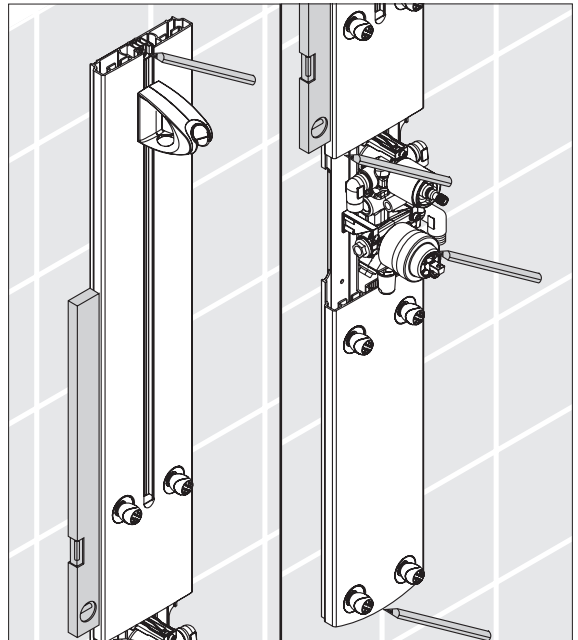
Wrap the nipples with several layers of Teflon tape.

Install the elbows included with the panel. The outlets should point downwards. The elbow should extend no more than $1\frac{1}{4}$ " from the surface of the finished wall.



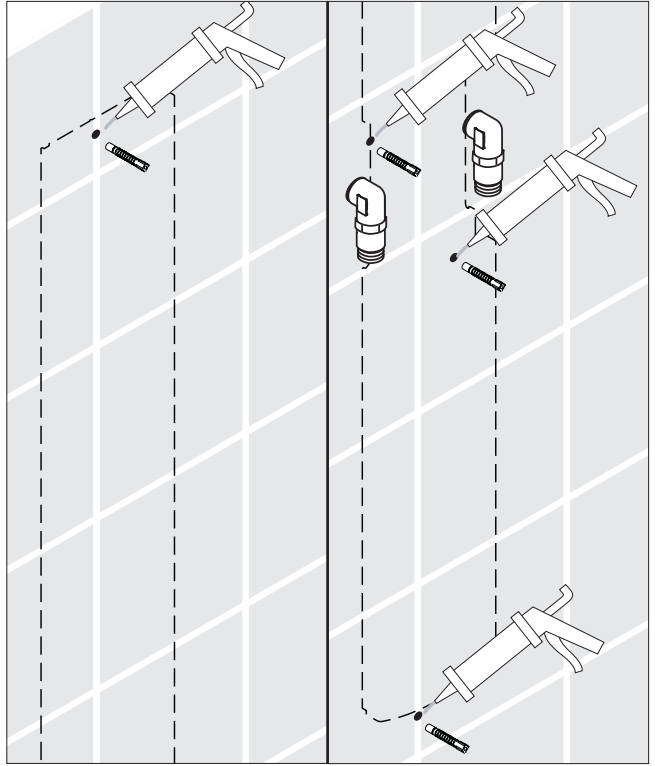
With a helper holding the panel in place, mark the positions of the screw holes.

Set the panel aside, securely supported to prevent damage.



Drill the screw holes with a 6 mm bit suitable for the wall surface.

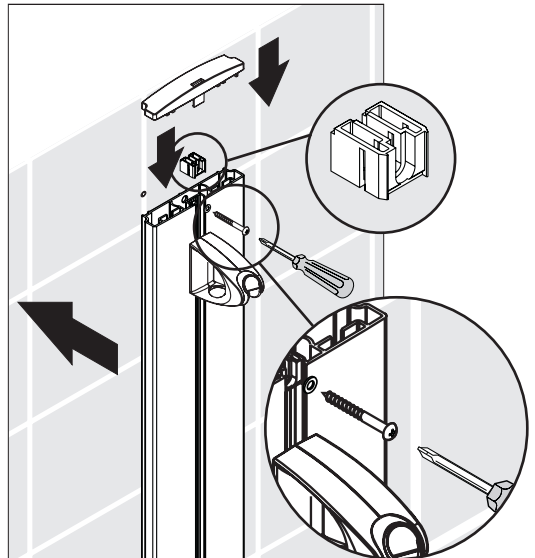
Install the anchors. Seal the wall around the anchors with water-proof sealant.



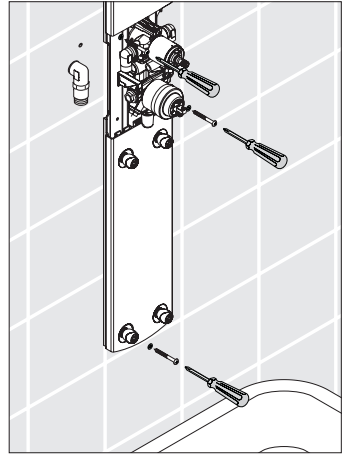
Hold the panel against the wall.

Install the gray plastic insert.

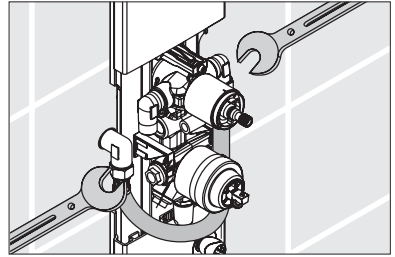
Insert the top screw through the front of the panel, the washer and the insert. Screw it into the anchor.



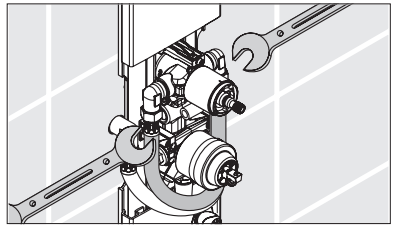
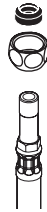
Install the center and bottom screws and washers.



Connect the supply hoses to the hot and cold supply elbows.

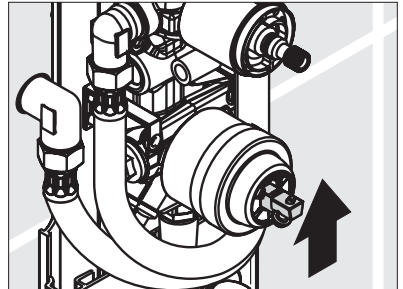


Connect the supply hoses to the hot and cold inlet ports on the valve.

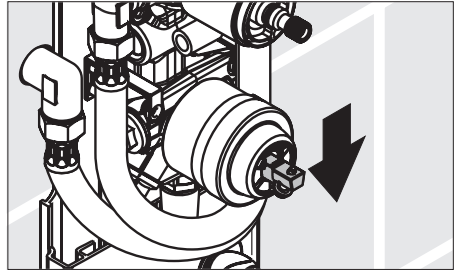


Turn the water on at the main. Push the diverter stem up to turn the water on to the panel.

Check all connections for leaks.

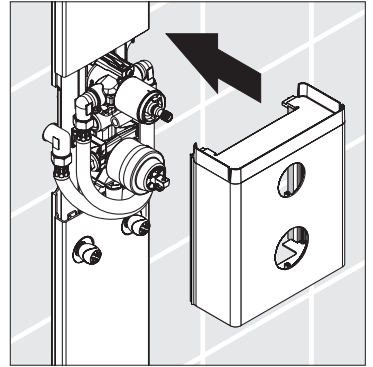
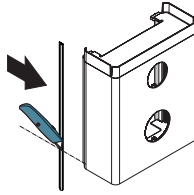


Once you ensure that the connections are water-tight, push the diverter stem down to turn the water off to the panel.

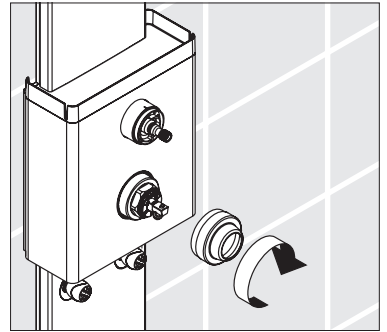


Install the side seals on the front cover. Trim off any excess.

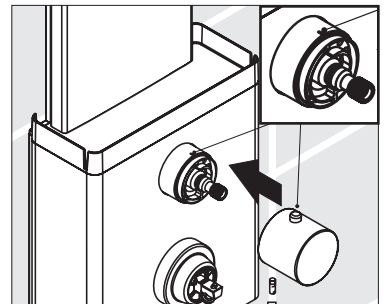
Push the front cover into place.



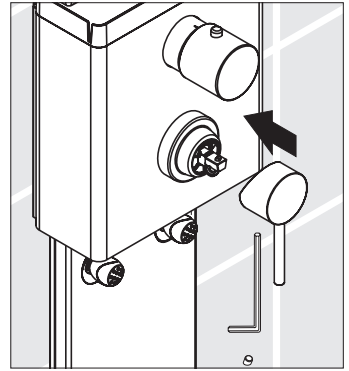
Install the diverter sleeve.



Make sure that the indexing mark on the thermostatic mixer sleeve is at the 12:00 position. Install the thermostatic mixer handle. Tighten the handle screw with a flat-bladed screwdriver.



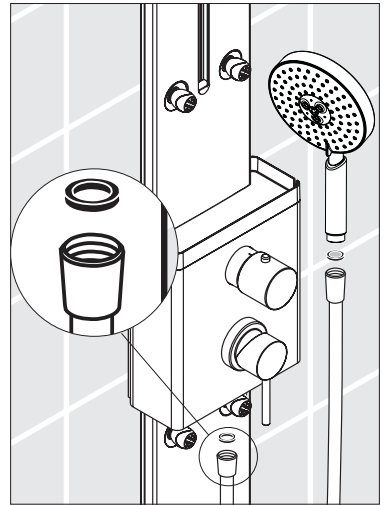
Install the diverter handle. Tighten the set screw with a 4 mm Allen wrench.



Place a black rubber washer in one end of the handshower hose. Screw this end of the hose to the handshower outlet port.

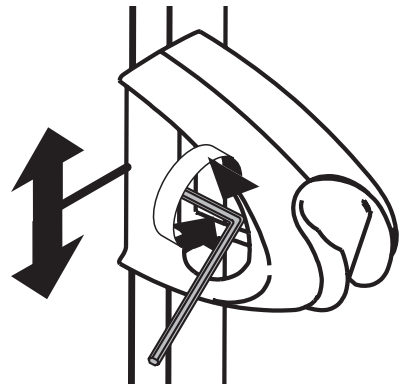
Place the screen washer in the other end of the hose. Screw this end of the hose to the handshower.

Place the handshower in the holder.

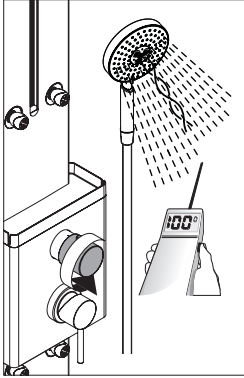


Adjust the Slider

You can make the slider easier or harder to move. Use a 2.5 mm Allen wrench to turn the set screw clockwise to increase the tension, counter-clockwise to decrease the tension.



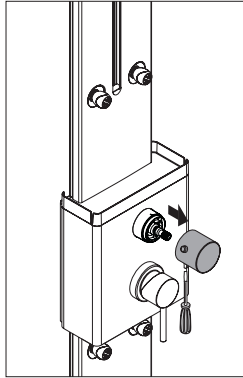
Justify the Thermostatic Mixer Handle



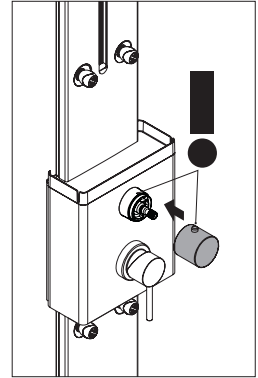
Turn the water on to the handshower.

Turn the thermostatic mixer handle until the output water measures 100° on a thermometer. Turning the handle clockwise makes the water cooler, counter-clockwise makes the water warmer.

Turn the water off.



Loosen the thermostatic mixer handle screw. Remove the handle.

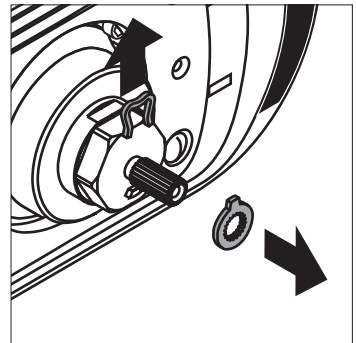


Replace the handle so that the safety stop override button is at the 12:00 position. Tighten the set screw.

Set the High Temperature Limit Stop (optional)

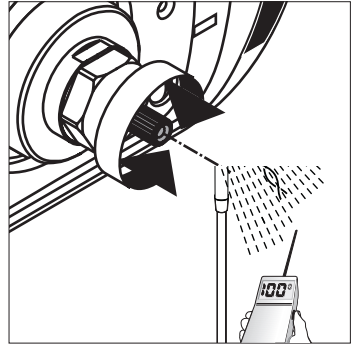
Remove the thermostatic mixer handle.

Remove the clip and the stop ring from the stem of the thermostatic mixer.



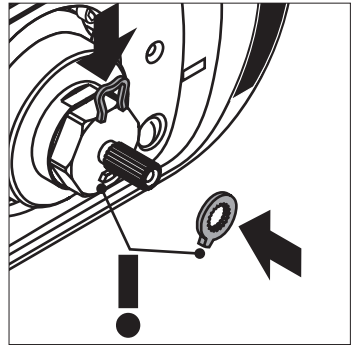
Turn the water on to the handshower. Turn the temperature control stem until the output water is the desired maximum high temperature – usually 110°*. Turn the water off.

*Please know and follow all applicable local plumbing codes when setting the high temperature limit stop.



Replace the stop ring so that the tooth is against the high temperature limit stop. Replace the clip.

Justify the handle.

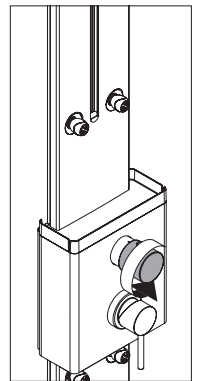


User Instructions

Using the Thermostatic Mixer

Turn the handle clockwise to make the water cooler.

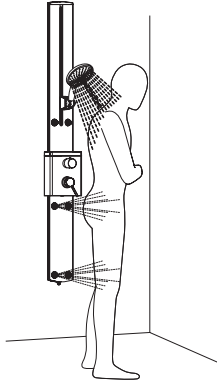
Turn the handle counter-clockwise to make the water warmer. When the safety stop override is at the 12:00 position, the output water is 100° F, the handle will stop. If a user wants water hotter than 100° F, press the safety stop override button and continue turning the handle counter-clockwise.



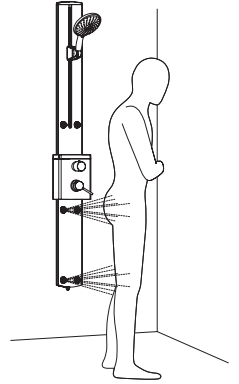
Using the Diverter

Pull the lever upward to turn the water on. Pivot the handle to the desired function. There are five functions:

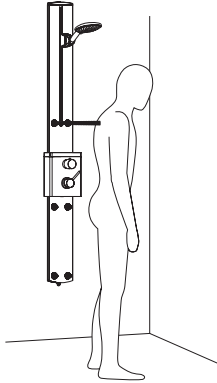
All-around shower
(handshower and 4 lower
bodysprays)



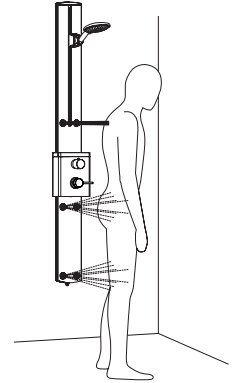
4 lower bodysprays



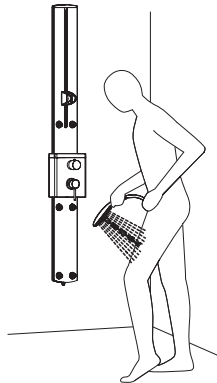
2 upper bodysprays



Full-body massage (all 6
bodysprays)

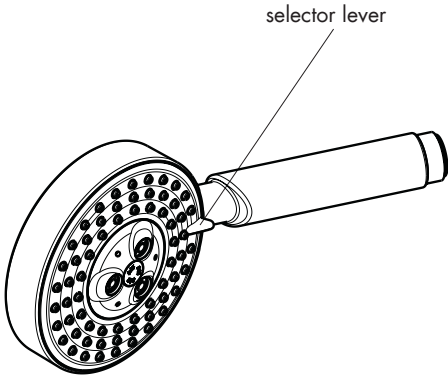


Handheld shower



Using the 3-Jet Handshower

To change spray modes, push the selector lever until the desired spray is achieved.



Rain AIR



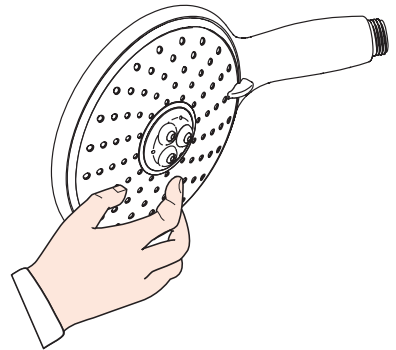
Balance AIR



Whirl AIR

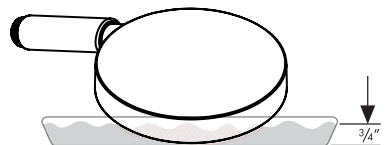
Scale Removal

The Raindance Air 3-jet handshower incorporates the Rubit™ cleaning system. If scale deposits are noticed in the spray channels, turn the water on lightly and rub the spray channels with a finger or a sponge.

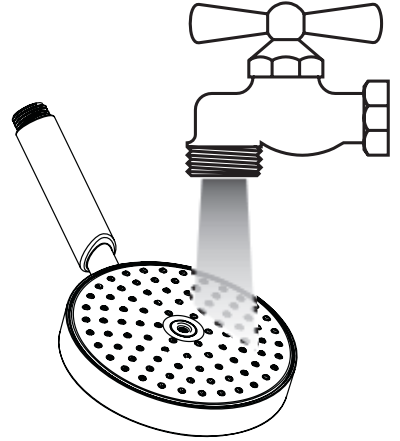


If scale deposits are noticed on the spray face, pour about $\frac{3}{4}$ " of a commercial scale remover, such as Lime-Away™ or CLR™, into a shallow dish. Dilute the scale remover according to the label instructions.

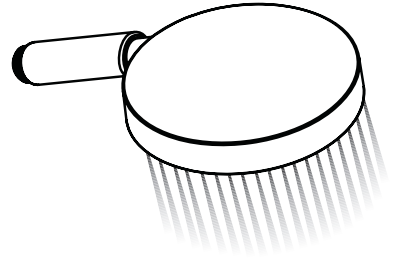
Soak only the spray face in the solution for the amount of time specified on the label.



Rinse the handshower with clear water.

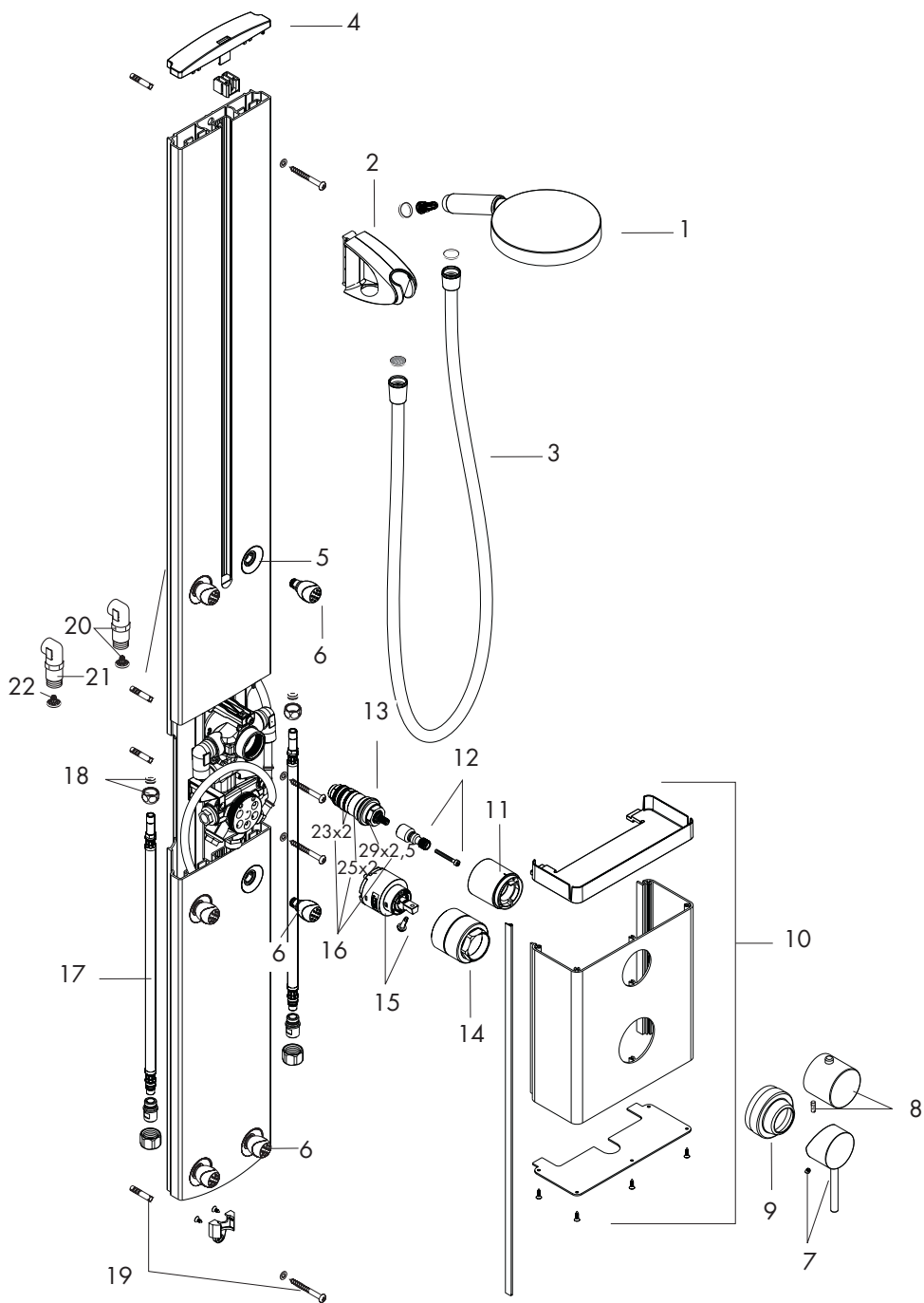


Reinstall the handshower. Turn on the water and allow the handshower to flush for at least one minute.



Troubleshooting

Problem	Possible Cause	Remedy
Insufficient water	<ul style="list-style-type: none"> - Supply pressure inadequate - Filters on thermostat cartridge dirty - Screen washer dirty 	<ul style="list-style-type: none"> - Check water pressure (If a pump has been installed, check to see if the pump is working). - Clean thermostat filters - Clean screen washer between shower and hose
Crossflow, hot water being forced into cold water pipe, or vice versa, when mixer is closed	<ul style="list-style-type: none"> - Check valves dirty or leaking 	<ul style="list-style-type: none"> - Clean check valves, replace if necessary
Output temperature does not correspond with temperature set	<ul style="list-style-type: none"> - Handle not justified - Hot water temperature too low 	<ul style="list-style-type: none"> - Justify handle - Reset high temperature limit stop
Temperature regulation not possible	<ul style="list-style-type: none"> - Temperature regulator dirty or calcified - Panel is cross-connected 	<ul style="list-style-type: none"> - Clean temperature regulator, replace if necessary - Connect supply hoses to correct supplies
Safety stop override button not operating	<ul style="list-style-type: none"> - Spring defective - Button calcified 	<ul style="list-style-type: none"> - Clean spring and/or button, replace if necessary
Diverter control stiff	<ul style="list-style-type: none"> - Diverter cartridge defective or dirty 	<ul style="list-style-type: none"> - Replace cartridge



Replacement Parts

1	handshower	28519XXX
2	slider	97024XXX
3	handshower hose, 63"	28276XXX
4	upper cover	97324000
5	escutcheon	97326000
6	body shower	28406000
7	diverter handle	10490XXX
8	thermostatic mixer handle	38391XXX
9	flange	97858XXX
10	front cover	97859000
11	sleeve	95032XXX
12	adapter for handle	97108000
13	thermostat cartridge	94282000
14	nut	96945000
15	diverter cartridge	96645000
16	sealing set	95037000
17	connection hose	13099001
18	fixing set for hose connection	94158000
19	mounting set	96179000
20	elbow (2)	25967001
21	check valve	97350000
22	filter	97973000

XXX = color

001 = chrome

821 = brushed nickel

Cleaning Recommendation for Hansgrohe Products

Modern lavatory faucets, kitchen faucets, and showers consist of very different materials to comply with the needs of the market with regard to design and functionality. To avoid damage and returns, it is necessary to consider certain criteria when cleaning.

Cleaning Materials for Faucets and Showers

Acids are a necessary ingredient of cleaning materials for removing lime, however please pay attention to the following points when cleaning faucets and showers:

- Only use cleaning materials which are explicitly intended for this type of application.
- Never use cleaning materials which contain hydrochloric, formic, phosphoric, or acetic acid, as they cause considerable damage.
- Never mix one cleaning material with another.
- Never use cleaning materials or appliances with an abrasive effect, such as unsuitable cleaning powders, sponge pads, or micro fiber cloths.

Cleaning Instructions for Faucets and Showers

Please follow the cleaning material manufacturer's instructions. In addition, pay attention to the following points:

- Clean the faucets and showers as and when required
- Use the amount of cleaning product and the amount of time recommended by the manufacturer. Do not leave the cleaner on the fixture longer than necessary.
- Regular cleaning can prevent calcification.
- When using spray cleaners, spray first onto a soft cloth or sponge. Never spray directly onto the faucet as droplets can enter openings and gaps and cause damage.
- After cleaning, rinse thoroughly with clean water to remove any cleaner residue.

Important

Residues of liquid soaps, shampoos, and shower foams can also cause damage, so rinse with clean water after using.

Please note: if the surface is already damaged, the effect of cleaning materials will cause further damage.

**Components with damaged surfaces must be replaced or injury could result.
Damage caused by improper treatment is not covered under the warranty.**

Limited Lifetime Consumer Warranty

This product has been manufactured and tested to the highest quality standards by Hansgrohe, Inc. ("Hansgrohe"). This warranty is limited to Hansgrohe products which are purchased by a consumer in the United States after March 1, 1996, and installed in either the United States or Canada.

WHO IS COVERED BY THE WARRANTY

This warranty extends to the original consumer purchaser only. This warranty is non-transferable.

WHAT IS COVERED BY THE WARRANTY

This warranty covers only your Hansgrohe manufactured product. Hansgrohe warrants this product against defects in material or workmanship as follows: Hansgrohe will repair at no charge for parts only or, at its option, replace any product or part of the product that proves defective because of improper workmanship and/or material, under normal installation, use, service and maintenance. If Hansgrohe is unable to provide a replacement and repair is not practical or cannot be timely made, Hansgrohe may elect to refund the purchase price in exchange for the return of the product.

LENGTH OF WARRANTY

Replacement or repaired parts of products will be covered for the term of this warranty as stated in the following two sentences. If you are a consumer who purchased the product for use primarily for personal, family, or household purposes, this warranty extends for as long as you own the product and the home in which the product is originally installed. If you purchased the product for use primarily for any other purpose,

including, without limitation, a commercial purpose, this warranty extends only (i) for 1 year, with respect to Hansgrohe and Commercial products, and (ii) for 5 years, with respect to AXOR products.

THIS WARRANTY DOES NOT COVER, AND HANSGROHE WILL NOT PAY FOR:

- A. Conditions, malfunctions or damage not resulting from defects in material or workmanship.
- B. Conditions, malfunctions or damage resulting from (1) normal wear and tear, improper installation, improper maintenance, misuse, abuse, negligence, accident or alteration, or (2) the use of abrasive or caustic cleaning agents or "no-rinse" cleaning products, or the use of the product in any manner contrary to the product instructions. (3) Conditions in the home such as excessive water pressure or corrosion.
- C. Labor or other expenses for the disconnection, deinstallation, or return of the product for warranty service, or for installation or reinstallation of the product (including but not limited to proper packaging and shipping costs), or for installation or reinstallation of the product.
- D. Accessories, connected materials and products, or related products not manufactured by Hansgrohe.

TO OBTAIN WARRANTY PARTS OR INFORMATION

Contact your Hansgrohe retailer, or contact Technical Service at:

Hansgrohe Inc.
1492 Bluegrass Lakes Parkway
Alpharetta GA 30004
Toll-free (800) 334-0455.

In requesting warranty service, you will need to provide

- 1. The sales receipt or other evidence of the date and place of purchase.
- 2. A description of the problem.
- 3. Delivery of the product or the defective part, postage prepaid and carefully packed and insured, to Hansgrohe Inc. 1492 Bluegrass Lakes Parkway, Alpharetta, Georgia 30004, Attention: Technical Service, if required by Hansgrohe.

When warranty service is completed, any repaired or replacement product or part will be returned to you postage prepaid.

EXCLUSIONS AND LIMITATIONS

REPAIR OR REPLACEMENT (OR, IN LIMITED CIRCUMSTANCES, REFUND OF THE PURCHASE PRICE) AS PROVIDED UNDER THIS WARRANTY IS THE EXCLUSIVE REMEDY OF THE PURCHASER. HANSGROHE NEITHER ASSUMES NOR AUTHORIZES ANY PERSON TO CREATE FOR IT ANY OBLIGATION OR LIABILITY IN CONNECTION WITH THIS PRODUCT.

HANSGROHE SHALL NOT BE LIABLE TO PURCHASER OR ANY PERSON FOR ANY INCIDENTAL, SPECIAL, OR CONSEQUENTIAL DAMAGES, ARISING OUT OF BREACH OF THIS WARRANTY OR ANY IMPLIED WARRANTY (INCLUDING MERCHANTABILITY).

Some States do not allow the exclusion or limitation of incidental or consequential damages, so the above limitation or exclusion may not apply to you. This warranty gives you specific legal rights, and you may have other rights which vary from State to State. You may be required by law to give us a reasonable opportunity to correct or cure any failure to comply before you can bring any action in court against us under the Magnuson-Moss Warranty Act.

PRODUCT INSTRUCTIONS AND QUESTIONS

Upon purchase or prior to installation, please carefully inspect your Hansgrohe product for any damage or visible defect. Prior to installing, always carefully study the enclosed instructions on the proper installation and the care and maintenance of the product. If you have questions at any time about the use, installation, or performance of your Hansgrohe product, or this warranty, please call or write to us or call us toll-free at 800 334 0455.

hansgrohe

Hansgrohe, Inc. • 1490 Bluegrass Lakes Parkway • Alpharetta, GA 30004
Tel. 770 360-9880 • Fax 770 360 9887

www.hansgrohe-USA.com