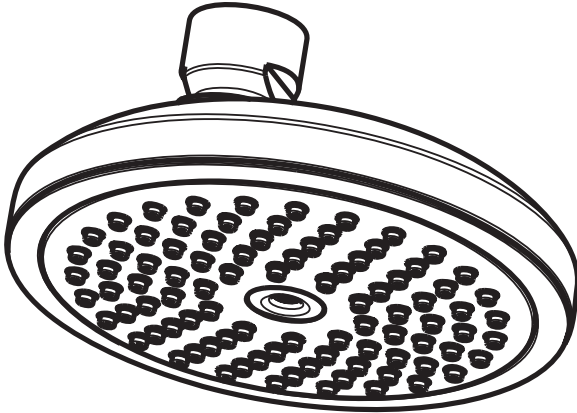


Axor Citterio M 100 1-Jet AIR Showerhead

34610XX1



Product Features

- AIR injection technology
- Oversized spray face
- Normal spray, 2.5 gpm
- Quick Clean™ cleaning system
- ½" Female inlet

Code Compliance

This unit meets or exceeds the following:

- ASME A112.18.1
- CSA B125.1
- Listed by IAPMO

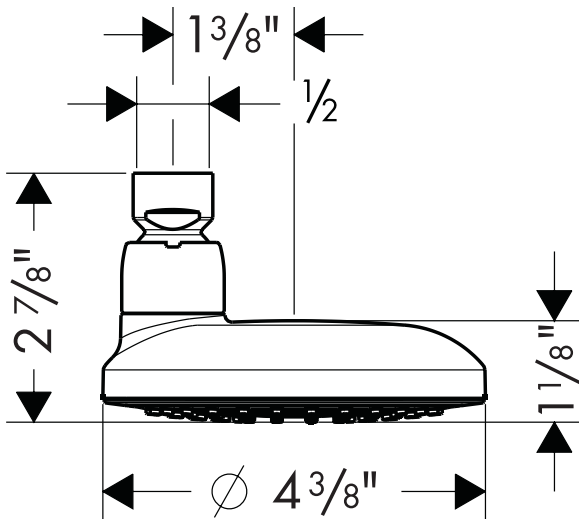
Available Finishes

Chrome

34610001

Brushed Nickel

34610821



The measurements shown are for reference only.

Products and specifications shown are subject to change without notice.

Specification sheet revised 11/2008