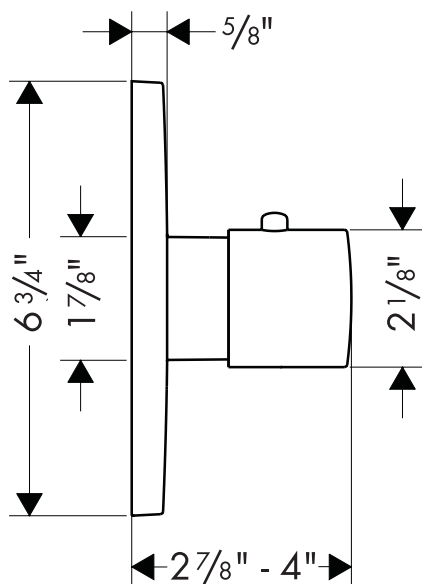
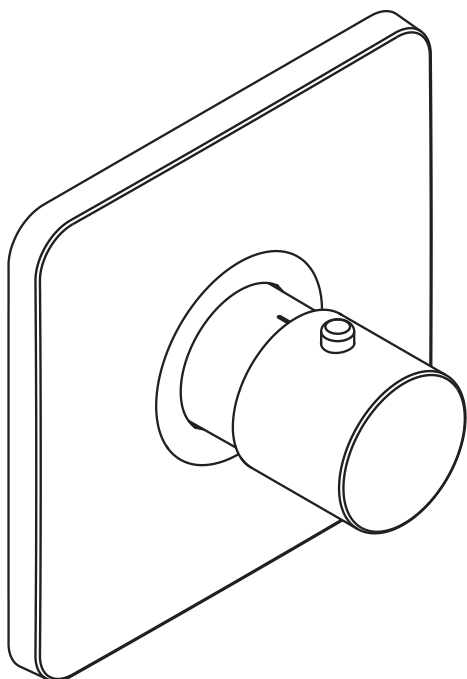


Axor Citterio M Trim, EcoMax Thermostatic Mixer

34716XX1



The measurements shown are for reference only.

Products and specifications shown are subject to change without notice.

Specification sheet revised 6/2008

Product Features

- Thermostatic cartridge with service stops
- 100° Safety stop
- High temperature limit stop may be reset to comply with local plumbing codes
- Max. flow rate 20 gpm @ 44 psi

Available Finishes

Chrome	34716001
Brushed Nickel	34716821

Required Accessories

3/4" rough	15374181
or	
1/2" rough	15373181

Optional Accessories

1 1/2" Extension (deep rough-in) kit	92615000
--------------------------------------	----------