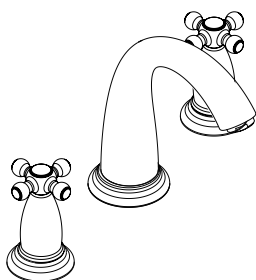
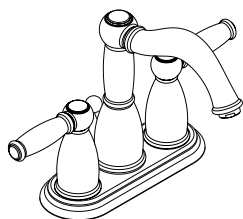


# Installation Instructions / Warranty



**Interaktiv and Retroaktiv**  
Centerset Lavatory Faucets  
Widespread Lavatory Faucets

**hansgrohe**

## Retroaktiv 4" Centerset Lavatory Faucets

06039XXX Tango with Cross Handles  
06038XXX Tango with Scroll Handles  
06037XXX Tango with Lever Handles  
06103XXX Limbo with Cross Handles  
06102XXX Limbo with Scroll Handles  
06101XXX Limbo with Lever Handles  
06302XXX Proaktiv Limbo\*  
06316XXX Proaktiv Tango\*

## Interaktiv 4" or 8" Widespread Lavatory Faucet

06633XXX Solaris  
06577XXX Stratos  
06653XXX Metro  
06874XXX Interaktiv S  
06633XX5 Aquos  
06870XXX Proaktiv\*

## Retroaktiv 8" Widespread Lavatory Faucet

06122XXX Swing with Cross Handles  
06118XXX Swing with Scroll Handles  
06117XXX Swing with Lever Handles  
06042XXX Tango with Cross handles  
06041XXX Tango with Scroll Handles  
06040XXX Tango with Lever Handles  
06106XXX Limbo with Cross Handles  
06105XXX Limbo with Scroll Handles  
06104XXX Limbo with Lever Handles  
06306XXX Proaktiv Limbo\*  
06317XXX Proaktiv Tango\*  
06320XXX Proaktiv Swing\*

Retroaktiv 8" widespread faucets cannot be used in a 4" installation

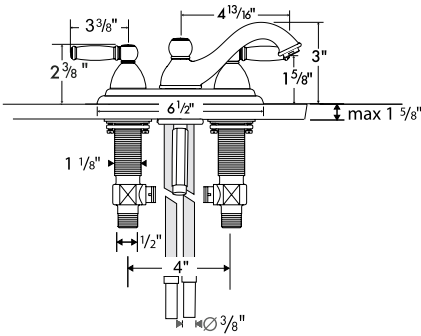
\*Requires Proaktiv handle set -- sold separately

## Product Specifications

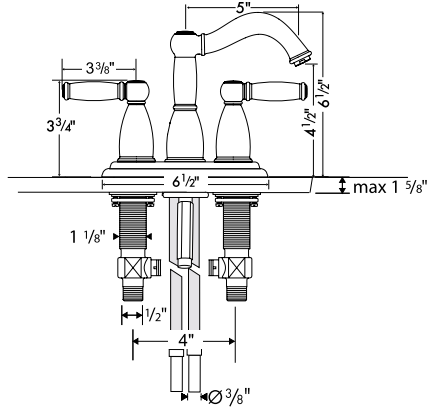
Recommended incoming water pressure	22 - 72 PSI
Recommended incoming hot water temperature	120° - 140°F*
Hole size in mounting surface	
Valves	1 1/4"
spout	1 3/8"
Maximum mounting surface thickness	1 1/2"
Flow rate	2.2 gpm max.

This faucet requires 1/2" hot and cold supply lines (not included).

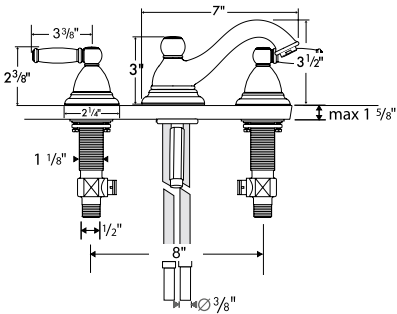
\*some municipalities have codes limiting the maximum temperature of the water heater to 120°F or less. Please know and follow all applicable local codes when setting the temperature on the water heater.



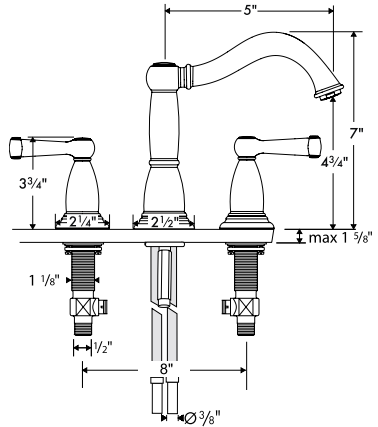
Limbo centerset



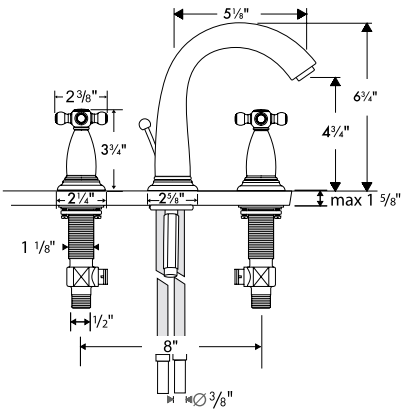
Tango centerset



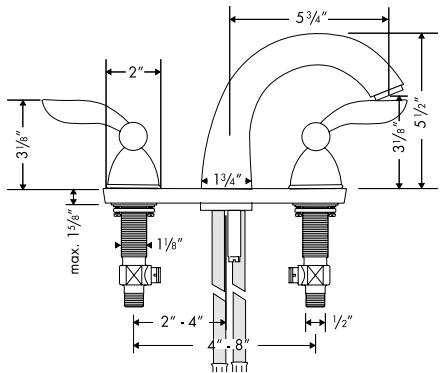
Limbo widespread



Tango widespread



Swing widespread



Solaris widespread  
Aquos widespread

## Install the hot and cold valves

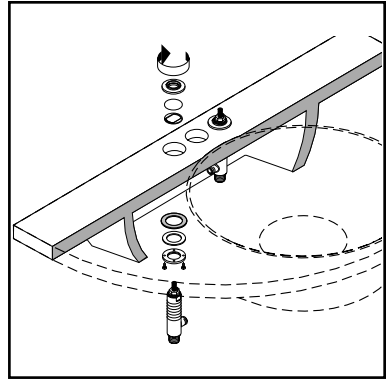
Install the mounting nut, metal washer and the fiber washer to the valve.

Install the o-rings to the grooves on the mounting plates.

Insert the valve through the hole in the deck from the below the mounting surface. The hot valve is marked with a red dot.

From the top, install the stop ring to the valve. Thread the mounting plate onto the valve as far as it will go — the stop ring will stop it at the proper height. Place the valve on the mounting surface. Turn the valves so that the outlet ports point toward the center.

From below the mounting surface, tighten the mounting nut. Tighten the tensioning screws.



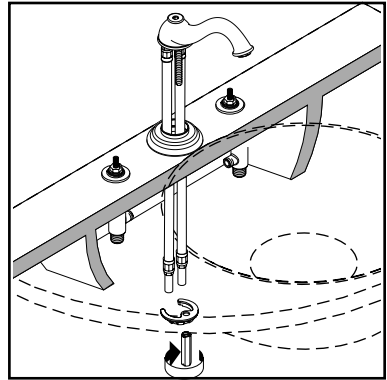
## Install the spout

### Swing and Limbo Widespread:

Position the spout deco ring on the mounting surface. Place the spout in the deco ring.

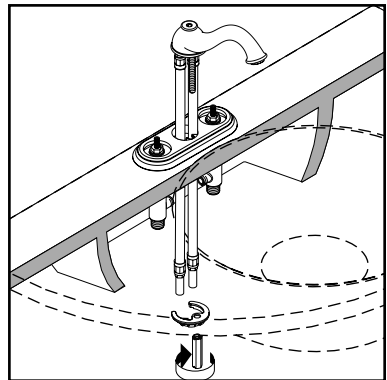
### Interaktiv and Tango Widespread:

Place the spout and sealing ring on top of the mounting surface.



**4" Centerset models only:** Position the escutcheon on the countertop. Place the spout on the escutcheon.

**All models:** From beneath the mounting surface, install the mounting flange. Thread the collar onto the stud and tighten.



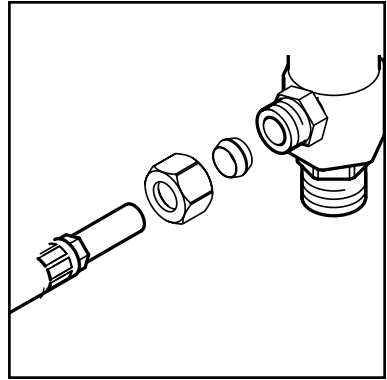
## Install the connecting hoses

Push a compression nut and ferrule over the end of the connecting hose.

Push the end of the hose into the outlet port on the valve.

Tighten the compression nut wrench tight. Do not allow the connecting hose to twist, or it will become loosened from the spout.

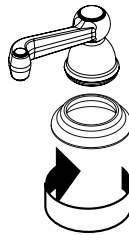
Repeat with the second connection hose.



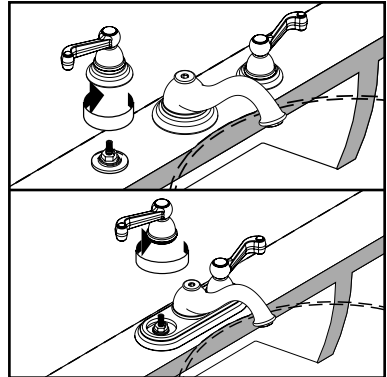
## Install the handles

### Retroaktiv widespread

**only:** Install the deco rings on the handles.



**All models:** Hold the lever or cross part of the handle in the desired "off" position with one hand. With the other hand, turn the bell part of the handle clockwise, so that it threads down over the valve stem.



## Install the pull rod

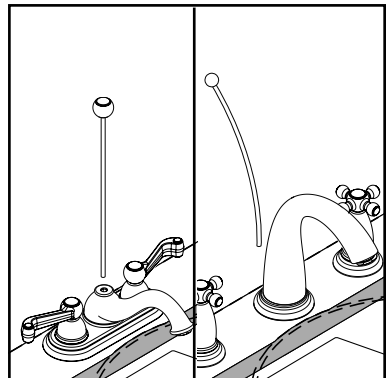
The Retroaktiv Tango and Limbo pull rods are straight.

The Interaktiv and Retroaktiv Swing pull rods are curved. These rods should be inserted with the curve as shown in the diagram.

Install the pop up drain.

Install the supply lines (not included).

Turn on the water and check for leaks.



## Install the Pop Up Drain

Remove the plunger assembly.

Unscrew the drain outlet flange from the tee.

Unscrew the tailpiece from the tee. Wrap the threads with plumbers' thread tape and replace.

Install the flexible sealing gasket to the flange. Sit it in the sink outlet.

From under the sink, install the black mack gasket, white friction ring, and retainer nut to the flange. Do not tighten the nut against the bottom of the sink at this time.

Thread the tee and tailpiece to the flange. The pivot must face the faucet. If necessary, turn the drain assembly.

Tighten the retainer nut.

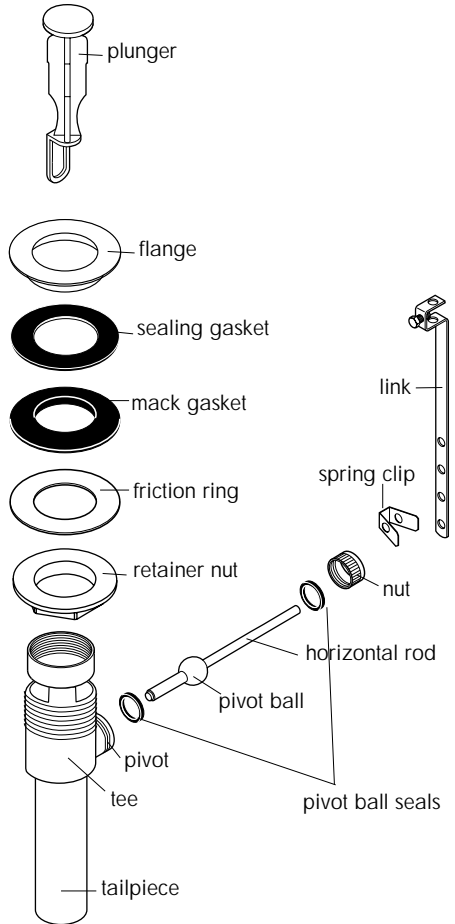
Sit the plunger assembly in the drain.

Install the horizontal rod through the pivot ball seals and into the tee so that the end goes through the loop in the bottom of the height adjuster. The two pivot ball seals should surround the pivot ball.

Slide the link over end of pull rod. Tighten screw.

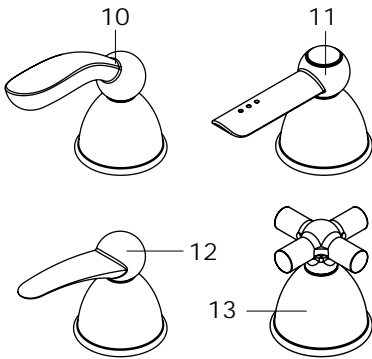
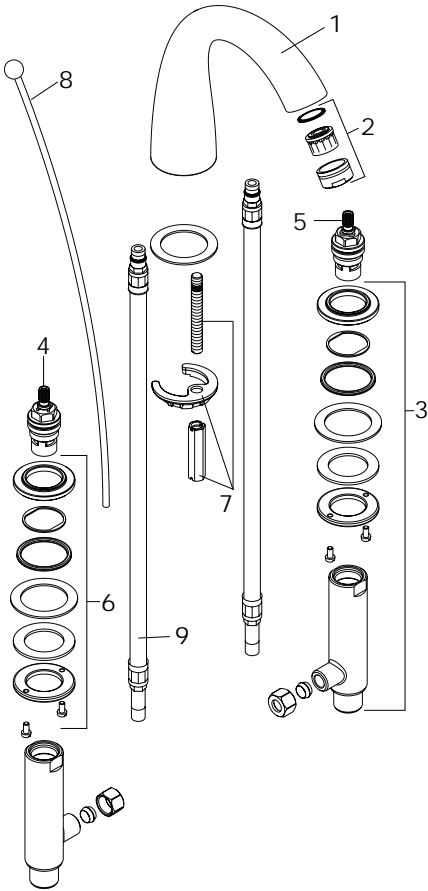
Slide one end of spring clip over end of horizontal rod. Slide link over end of horizontal rod. Test motion of drain plunger. Reposition link as necessary. There are multiple holes in the linkage -- the horizontal rod may go through any of the holes.

When satisfied with the action of the drain, slide the other end of the spring clip over the end of the horizontal rod.



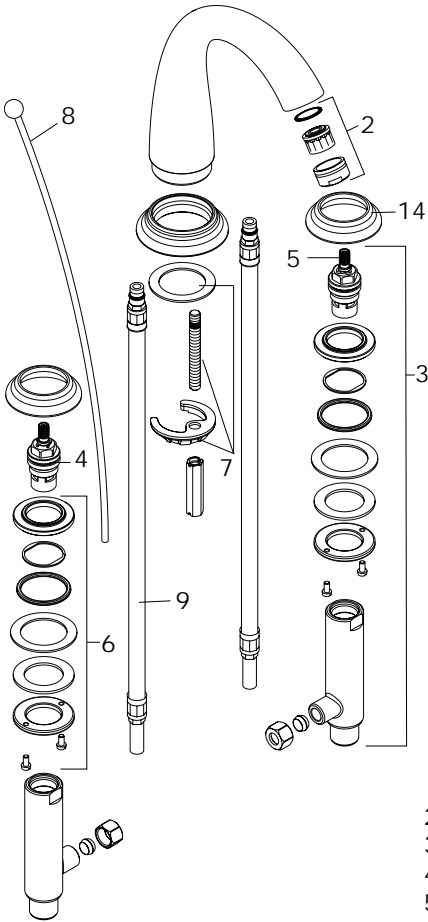
# Replacement Parts

## Interaktiv



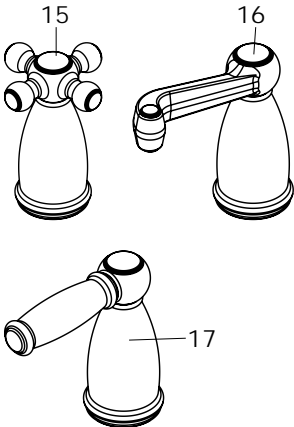
1	spout	88507XXX
2	aerator	13085XXX
3	valve	88503XXX
4	hot cartridge	94009000
5	cold cartridge	94008000
6	valve mounting set	88511000
7	spout mounting set	88508000
8	pull rod	88541XXX
9	connecting hose	88596XXX
10	Solaris handle set	06850XXX
11	Stratos handle set	06852XXX
12	Metro handle set	06853XXX
13	Interaktiv S handle set	06957XXX

# Retroaktiv Swing



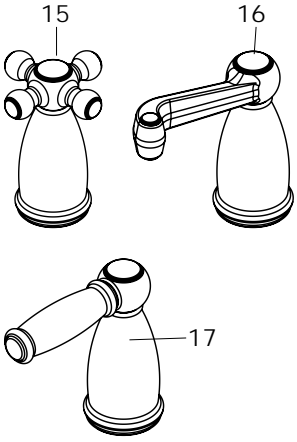
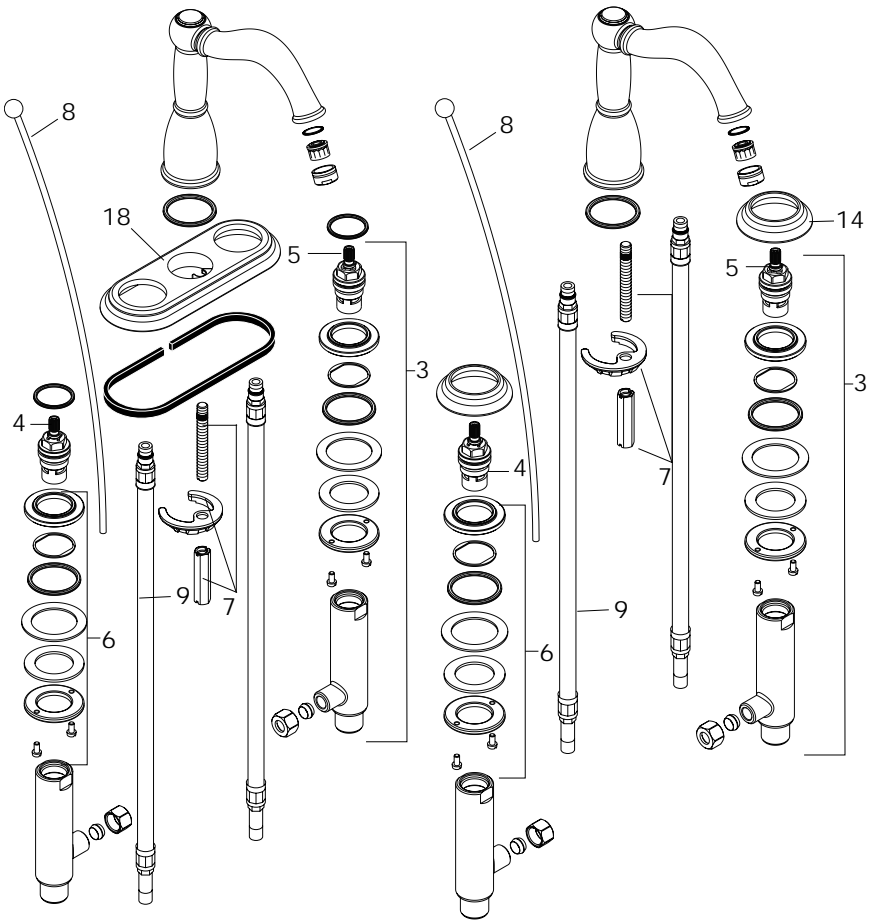
2	aerator	13085XXX
3	valve	88503XXX
4	hot cartridge	94009000
5	cold cartridge	94008000
6	valve mounting set	88511000
7	spout mounting set	88508000
8	pull rod	88541XXX
9	connecting hose	88596XXX
14	handle deco ring	88600XXX
15	cross handle set	06326XXX
16	scroll handle set	06325XXX
17	lever handle set	06324XXX

XXX = color  
 000 = chrome  
 620 = oil rub bronze  
 830 = polished nickel  
 820 = brushed nickel  
 930 = polished brass



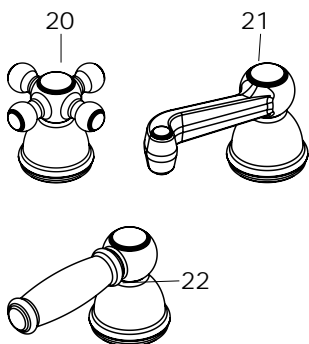
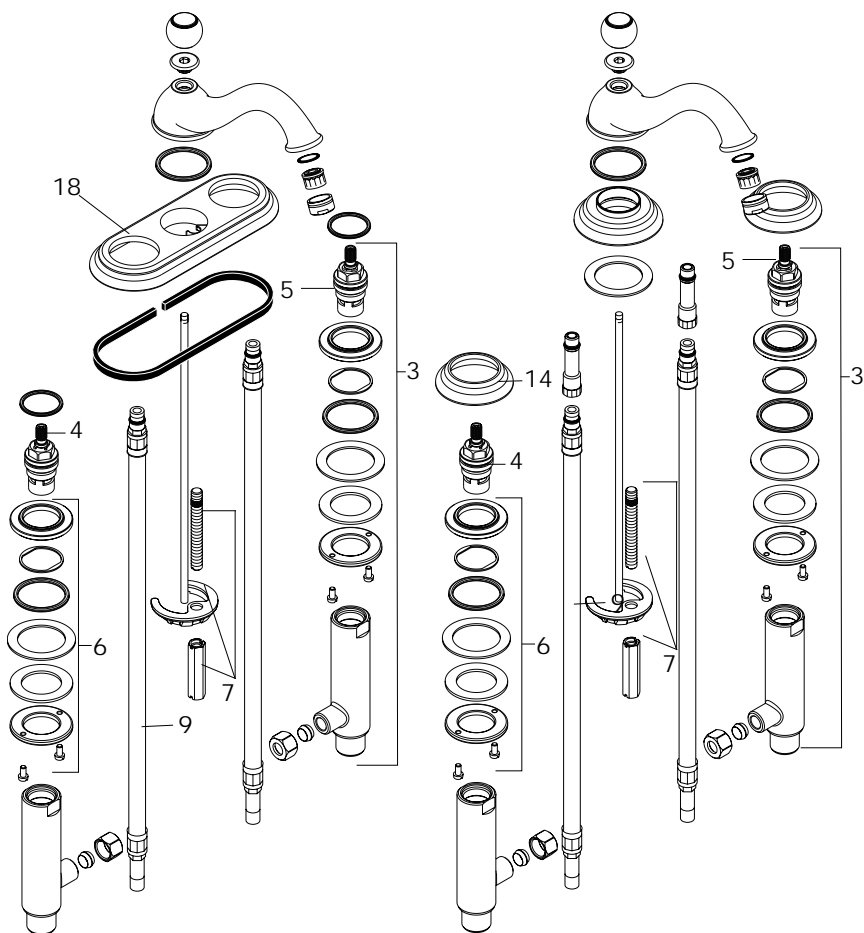


# Retroaktiv Tango



3	valve	88503XXX
4	hot cartridge	94009000
5	cold cartridge	94008000
6	valve mounting set	88511000
7	spout mounting set	88508000
8	pull rod	88541XXX
9	connecting hose	88596XXX
14	handle deco ring	88600XXX
15	cross handle set	06326XXX
16	scroll handle set	06325XXX
17	lever handle set	06324XXX
18	center set escutcheon	88510XXX

## Retroaktiv Limbo



3	valve	88503XXX
4	hot cartridge	94009000
5	cold cartridge	94008000
6	valve mounting set	88511000
7	spout mounting set	88508000
9	connecting hose	88596XXX
14	handle deco ring	88600XXX
18	centerset escutcheon	88510XXX
20	cross handle set	06305XXX
21	scroll handle set	06304XXX
22	lever handle set	06303XXX

# Cleaning Recommendation for Hansgrohe Products

Modern faucetry and shower products utilize a combination of materials to comply with the needs of the market with regard to design and functionality.

To avoid damage, it is necessary to use some caution when cleaning. Damage caused by improper treatment is not covered under the Hansgrohe warranty.

## Cleaning Materials for Faucets and Showers

- To remove lime scale, use only products made specifically for that purpose. Always follow the manufacturer's instructions when using.
- Do not use cleaners that contain hydrochloric, formic, acetic, or phosphoric acids, as these will cause considerable damage to finishes and to plastic components.
- Never mix cleaning materials.
- Never use cleaners containing abrasives. Do not use abrasive cleaning cloths, pads, or sponges.

## Cleaning Procedures

- Clean your faucets and shower products as and when required. Regular cleaning will prevent scale buildup and water spotting.
- Follow the label instructions. Do not allow any cleaner to remain on the product for longer than necessary.
- When using spray cleaners, spray first onto a sponge or cloth – do not spray directly onto the product.
- After cleaning, rinse thoroughly with clear water to remove any cleaner residue.

## Important

- Soap and shampoo residue can also cause damage to the product. Rinse well with clean water after use.
- If the surface is already damaged, harsh cleaning materials will cause further damage.

# Limited Lifetime Consumer Warranty

This product has been manufactured and tested to the highest quality standards by Hansgrohe, Inc. ("Hansgrohe"). This warranty is limited to Hansgrohe products which are purchased by a consumer in the United States after March 1, 1996, and installed in either the United States or Canada.

## WHO IS COVERED BY THE WARRANTY

This warranty extends to the original consumer purchaser only.

## WHAT IS COVERED BY THE WARRANTY

This warranty covers only your Hansgrohe manufactured product. Hansgrohe warrants this product against defects in material or workmanship as follows: Hansgrohe will repair at no charge for parts only or, at its option, replace any product or part of the product which proves defective because of improper workmanship and/or material, under normal installation, use, service and maintenance. If Hansgrohe is unable to provide a replacement and repair is not practical or cannot be timely made, Hansgrohe may elect to refund the purchase price in exchange for the return of the product.

## LENGTH OF WARRANTY

Replacement or repaired parts of products will be covered for the term of this warranty as stated in the following two sentences. If you are a consumer who purchased the product for use primarily for personal, family, or household purposes, this warranty extends for as long as you own the product and the home in which the product is installed. If you purchased the product for use primarily for any other purpose, including, without limitation, a commercial purpose, this warranty extends only (i) for 1 year, with respect to Interaktiv and Retroaktiv products, and (ii) for 5 years, with respect to AXOR, ShowerPower and Pharo products.

## THIS WARRANTY DOES NOT COVER, AND HANSGRÖHE WILL NOT PAY FOR:

- A. Conditions, malfunctions or damage not resulting from defects in material or workmanship.
- B. Conditions, malfunctions or damage resulting from (1) improper installation, improper maintenance, misuse, abuse, negligence, accident or alteration, or (2) the use of abrasive or caustic cleaning agents or "no rinse" cleaning products, or the use of the product in any manner contrary to the product instructions.

- C. Labor or other expenses for the disconnection or return of the product for warranty service, or for installation or reinstallation of the product.
- D. Accessories or related products not manufactured by Hansgrohe.

### **TO OBTAIN WARRANTY SERVICE**

Contact your Hansgrohe retailer, or write to Technical Service at:

Hansgrohe Inc.  
1492 Bluegrass Lakes Parkway  
Alpharetta GA 30004

Or, call Hansgrohe toll-free at (800) 334-0455.

In requesting warranty service, you will need to provide

1. The sales receipt or other evidence of the date and place of purchase.
2. A description of the problem.
3. Delivery of the product or the defective part, postage prepaid and carefully packed and insured, to Hansgrohe Inc. 1492 Bluegrass Lakes Parkway, Alpharetta, Georgia 30004, Attention: Technical Service, if required by Hansgrohe.

When warranty service is completed, any repaired or replacement product or part will be returned to you postage prepaid.

### **EXCLUSIONS AND LIMITATIONS**

REPAIR OR REPLACEMENT (OR, IN LIMITED CIRCUMSTANCES, REFUND OF THE PURCHASE PRICE) AS PROVIDED UNDER THIS WARRANTY IS THE EXCLUSIVE REMEDY OF THE PURCHASER. HANSGROHE NEITHER ASSUMES NOR AUTHORIZES ANY PERSON TO CREATE FOR IT ANY OBLIGATION OR LIABILITY IN CONNECTION WITH THIS PRODUCT.

HANSGROHE SHALL NOT BE LIABLE TO PURCHASER OR ANY PERSON FOR ANY INCIDENTAL, SPECIAL, OR CONSEQUENTIAL DAMAGES, ARISING OUT OF BREACH OF THIS WARRANTY OR ANY IMPLIED WARRANTY (INCLUDING MERCHANTABILITY).

Some States do not allow the exclusion or limitation of incidental or consequential damages, so the above limitation or exclusion may not apply to you.

This warranty gives you specific legal rights, and you may have other rights which vary from State to State.

You may be required by law to give us a reasonable opportunity to correct or cure any failure to comply before you can bring any action in court against us under the Magnuson-Moss Warranty Act.

### **PRODUCT INSTRUCTIONS AND QUESTIONS**

Upon purchase or prior to installation, please carefully inspect your Hansgrohe product for any damage or visible defect. Prior to installing, always carefully study the enclosed instructions on the proper installation and the care and maintenance of the product. If you have questions at any time about the use, installation, or performance of your Hansgrohe product, or this warranty, please call or write to us at the toll-free number and address printed above.

**hansgrohe**

Hansgrohe, Inc. • 1490 Bluegrass Lakes Parkway • Alpharetta, GA 30004  
Tel. 770 360-9880 • Fax 770 360 9887

[www.hansgrohe-USA.com](http://www.hansgrohe-USA.com)