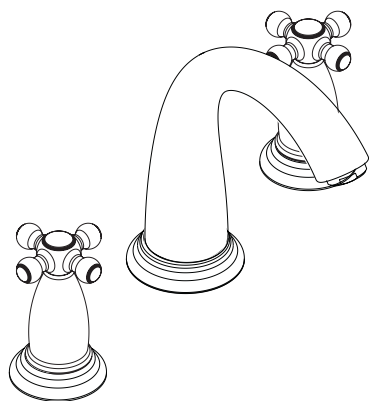


# Installation Instructions / Warranty

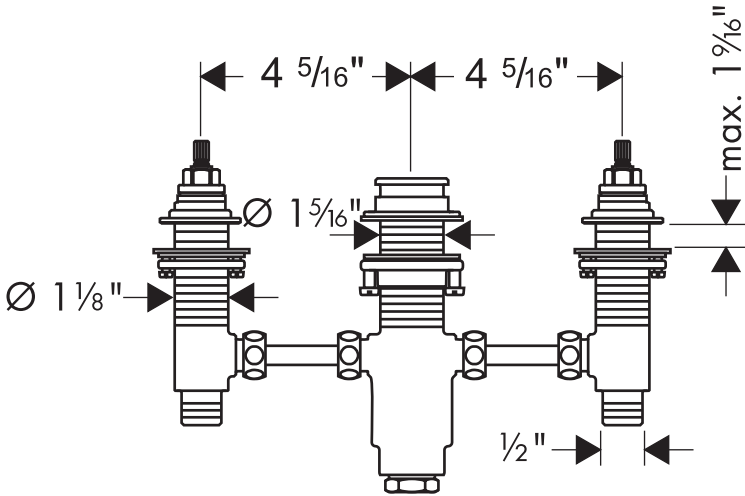


3-Hole Roman Tub Rough  
3-Hole Roman Tub Trim Kits

**hansgrohe**

# 3-Hole Roman Tub Rough

## 06607000



### Technical Specification

Recommended operating pressure	45 - 80 psi
Recommended hot water temp.	120° - 140° F*
Max. flow rate	10 gpm
Hole sizes	
valves	1 1/4"
spout	1 3/8"
spout pin	3/16"

Max. mounting surface thickness 1 9/16"

Requires 1/2" supply lines (not included)

\*Please know and follow all applicable local plumbing codes when setting the temperature on the water heater. In Massachusetts, the water heater may be set no higher than 112°F.

### Installation Considerations

For best results, this unit should be installed by a licensed, professional plumber.

Large differences in pressure between the hot and cold supplies should be balanced.

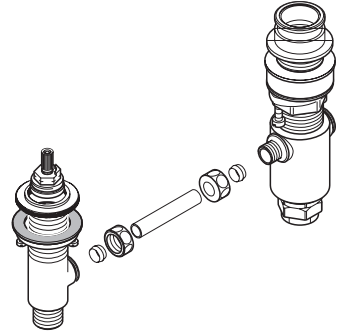
The included connecting tubes are type "K" copper tubing. If an installation different from the one shown here is desired, the plumber may provide his own copper tubing.

To insure proper fit of the trim, this valve should be installed after the mounting surface is finished and made watertight.

The hot and cold water supplies should be flushed thoroughly before installation of this rough valve. Damage to the cartridges caused by debris is not covered by the warranty.

## Installation

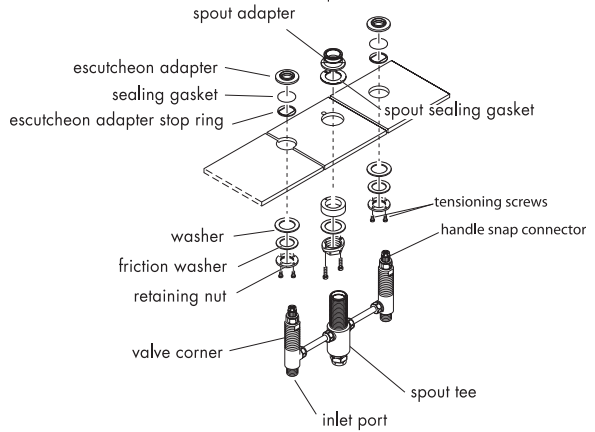
**Install the connecting tubes:** Place a compression nut and ferrule on one end of the connection tube. Push the tube into the inlet of the spout tee. Tighten the compression nut. Place another compression nut and ferrule on the other end of the connection tube. Push the tube into the outlet port of the valve. Tighten the compression nut. Repeat with the second connection tube.



**Install the rough:** Remove the plaster shields, escutcheon adapters, o-rings, and stop rings from the valves.

Remove the plaster shield, spout adapter, and spout adapter gasket from the spout tee. If the mounting surface is unusually thin, leave the white plastic spacer in place. Otherwise, it may be removed and discarded.

If necessary, reinstall the o-rings to the corresponding grooves on the escutcheon adapters.



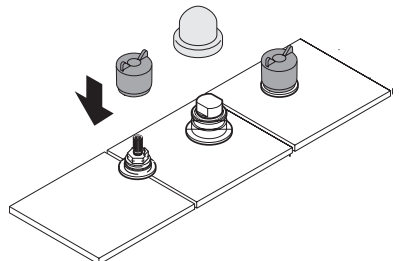
Insert the valves and spout tee through the corresponding holes in the mounting surface. Install the stop rings and escutcheon adapters. When installed properly, the stop rings will stop the escutcheon adapters at the proper mounting height.

Lower the valves so that the escutcheon adapters rest on the mounting surface.

Slide the spout adapter gasket over the spout tee, aligning the hole in the gasket with the retaining pin hole on the mounting surface. Install the spout adapter. The pin on the adapter should go through the hole in the mounting surface.

Tighten the mounting nuts and tensioning screws.

Reinstall the plaster shields. Leave them in place until the trim is to be installed.



# Interaktiv and Retroaktiv Trim, 3-Hole Roman Tub Sets

## Models Covered

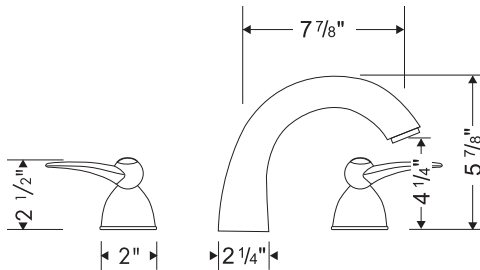
### Interaktiv

Solaris	06630XX0
Stratos	06574XX0
Metro	06551000
Interaktiv S	06875000

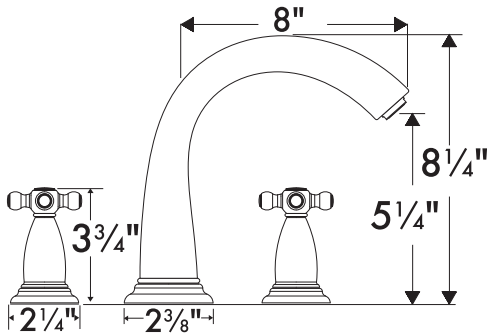
### Retroaktiv

	Swing	Tango	Limbo
Cross handle	06122XX0	06045XX0	06109XX0
Scroll handle	06120XX0	06044XX0	06108XX0
Lever handle	06120XX0	06043XX0	06107XX0

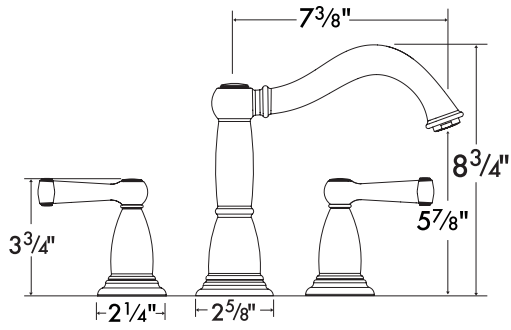
These trim kits are for use with rough 06607000. The rough must be installed, and the mounting surface complete and watertight.



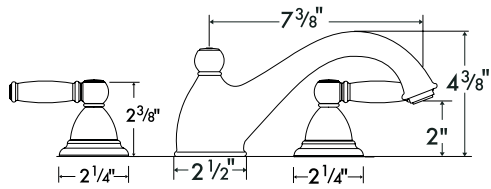
Interaktiv (Metro handles shown)



Retroaktiv Swing (cross handles shown)



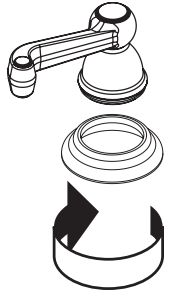
Retroaktiv Tango (scroll handles shown)



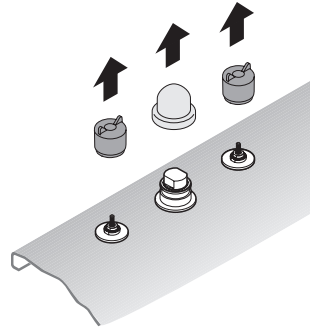
Retroaktiv Limbo (lever handles shown)

## Install the Handles

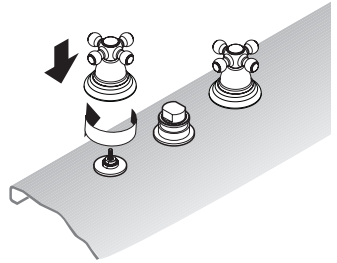
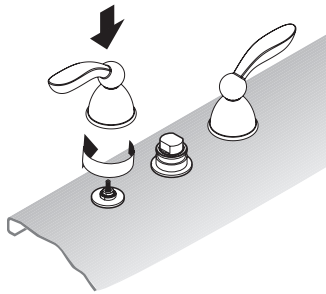
**Retroaktiv only:** Install the deco-rings on the handles.



**All models:** Remove the plaster shields from the hot and cold valves and spout tee.



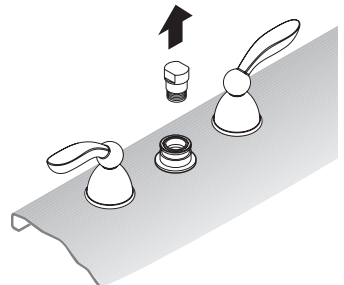
Position the handle over the stem with the lever in the desired "off" position. While holding the lever with one hand, use the other hand to turn the bell, and screw it down over the valve.



## Install the spout:

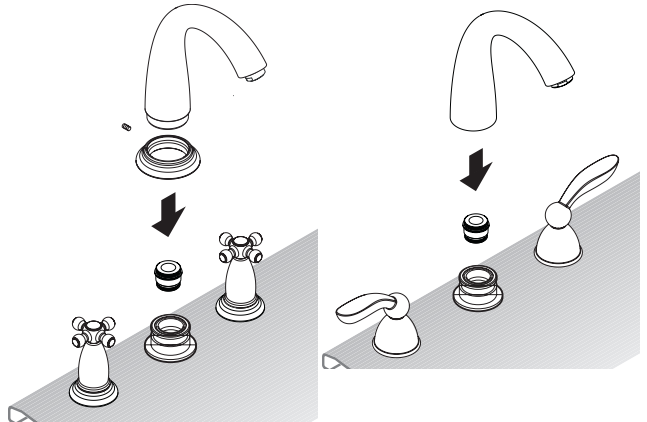
**Retroaktiv Swing only:** Install the deco-ring on the spout. Make sure that the set screw hole in the deco ring lines up with the set screw hole on the spout.

**All models:** Remove brass plug from the spout tee.



Push the spout sealing ring firmly into the spout tee.

Press the spout over the spout tee. Install and tighten the set screw with the enclosed 3 mm Allen wrench.



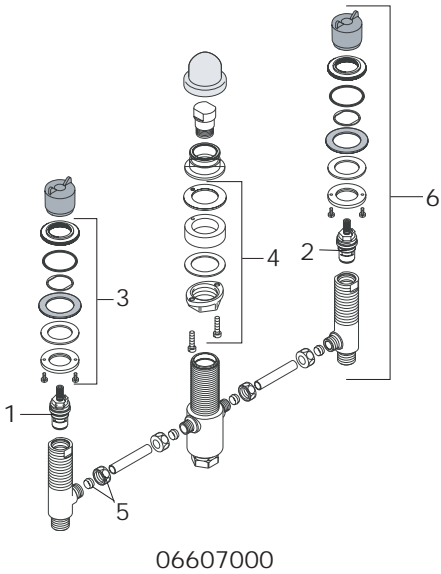
Turn on the water and check all connections for leaks.

### **User Instructions:**

Turn the left handle to obtain hot water, the right handle to obtain cold water.

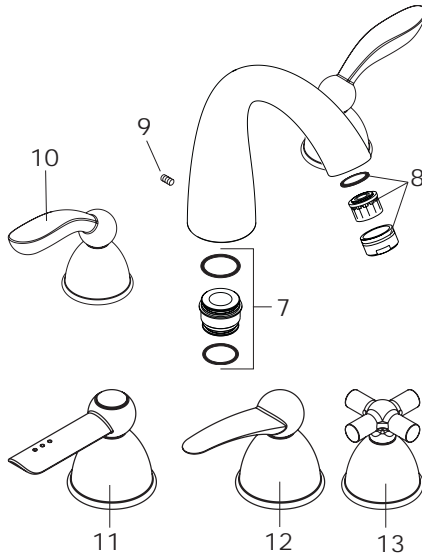
If the flow of water diminishes over time, remove and clean the aerator.

# Replacement Parts



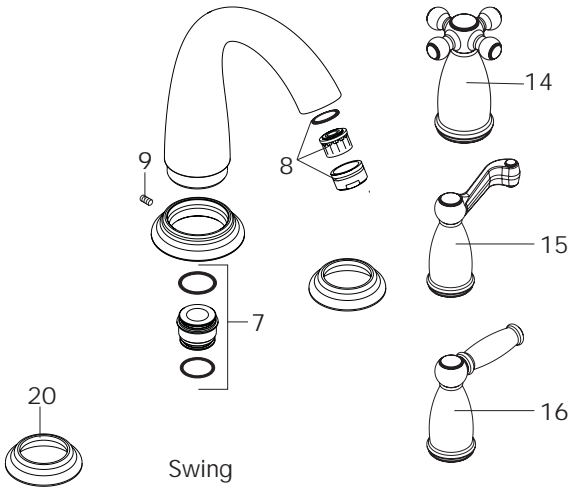
1	hot cartridge	94009000
2	cold cartridge	94008000
3	mounting kit	88511000
4	mounting kit	88540000
5	compression ftg	88513000
6	valve set	88503000
7	sealing ring	88512000
8	aerator	13956XXX
9	set screw	96029000
10	Solaris handles	06850XXX
11	Stratos handles	06852XXX
12	Metro handles	06853XXX
13	Interaktiv S handles	06957XXX
14	cross handles, tall	06326XXX
15	scroll handles, tall	06325XXX
16	lever handles, tall	06324XXX
17	cross handles, low	06305XXX
18	scroll handles, low	06304XXX
19	lever handles, low	06303XXX
20	handle deco ring	88600XXX

## Interaktiv

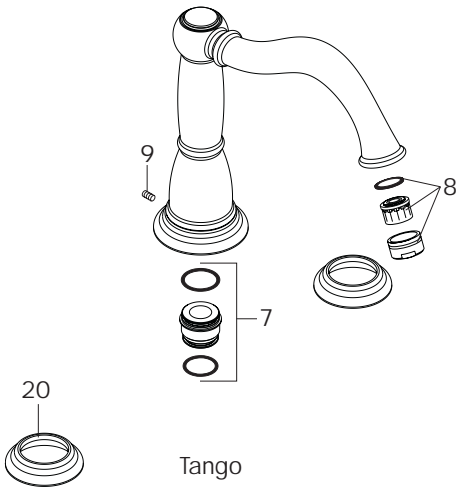




Retroaktiv

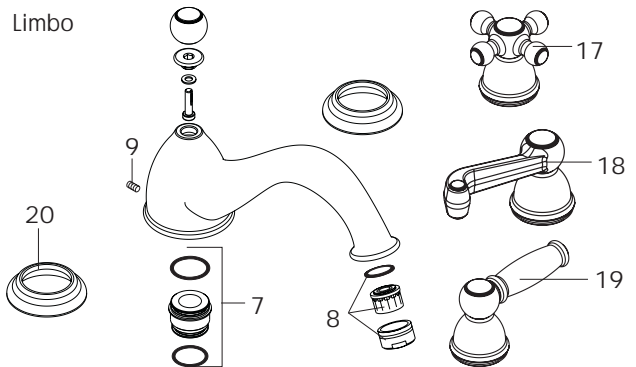


Swing



Tango

Limbo



# Cleaning Recommendation for Hansgrohe Products

Modern sanitary faucetry and shower fixtures consist of very different materials to comply with the needs of the market with regard to design and functionality.

To avoid damage and returns, it is necessary to consider certain points when cleaning:

## Cleaning materials for faucets and shower products:

Acids are necessary ingredients of cleaning materials for removing lime. However, please pay attention to the following points when cleaning faucets and shower products:

- Use only cleaning materials intended for the application.
- Never use cleaning materials which contain hydrochloric, formic, or phosphoric, or acetic acid, as these can cause considerable damage.
- Do not mix one cleaning material with another.
- Do not use abrasives, such as cleaning powders, sponge pads, or microfiber cloths.

## Cleaning Instructions for Faucets and Shower Products:

Please follow the cleaning material manufacturer's instructions. In addition, please note the following:

- Clean your faucets and shower products as and when required.
- Follow the label instructions. Do not allow any cleaner to remain on the product for longer than necessary.
- Regular cleaning will prevent scale buildup and water spotting.
- When using spray cleaners, spray first onto a sponge or cloth. Do not spray directly onto the faucet or shower product as drops could enter openings or gaps and cause damage.
- After cleaning, rinse thoroughly with clear water to remove any cleaner residue.

## Important

Residues of liquid soaps, shampoos, and shower foams can also cause damage, so rinse with clean water after using.

## Please note:

- If the surface is already damaged, the effect of cleaning materials will cause further damage.
- Components with damaged surfaces must be replaced, otherwise, this could cause injury.
- Damage caused by improper treatment will not be covered by our warranty.

# Limited Lifetime Consumer Warranty

This product has been manufactured and tested to the highest quality standards by Hansgrohe, Inc. ("Hansgrohe"). This warranty is limited to Hansgrohe products which are purchased by a consumer in the United States after March 1, 1996, and installed in either the United States or Canada.

## WHO IS COVERED BY THE WARRANTY

This warranty extends to the original consumer purchaser only.

## WHAT IS COVERED BY THE WARRANTY

This warranty covers only your Hansgrohe manufactured product. Hansgrohe warrants this product against defects in material or workmanship as follows: Hansgrohe will repair at no charge for parts only or, at its option, replace any product or part of the product which proves defective because of improper workmanship and/or material, under normal installation, use, service and maintenance. If Hansgrohe is unable to provide a replacement and repair is not practical or cannot be timely made, Hansgrohe may elect to refund the purchase price in exchange for the return of the product.

## LENGTH OF WARRANTY

Replacement or repaired parts of products will be covered for the term of this warranty as stated in the following two sentences. If you are a consumer who purchased the product for use primarily for personal, family, or household purposes, this warranty extends for as long as you own the product and the home in which the product is installed. If you purchased the product for use primarily for any other purpose, including, without limitation, a commercial purpose, this warranty extends only (i) for 1

year, with respect to Interaktiv and Retroaktiv products, and (ii) for 5 years, with respect to AXOR, ShowerPower and Pharo products.

**THIS WARRANTY DOES NOT COVER, AND HANSGROHE WILL NOT PAY FOR:**

- A. Conditions, malfunctions or damage not resulting from defects in material or workmanship.
- B. Conditions, malfunctions or damage resulting from (1) improper installation, improper maintenance, misuse, abuse, negligence, accident or alteration, or (2) the use of abrasive or caustic cleaning agents or “no rinse” cleaning products, or the use of the product in any manner contrary to the product instructions.
- C. Labor or other expenses for the disconnection or return of the product for warranty service, or for installation or reinstallation of the product.
- D. Accessories or related products not manufactured by Hansgrohe.

**TO OBTAIN WARRANTY SERVICE**

Contact your Hansgrohe retailer, or write to Technical Service at:

Hansgrohe Inc.  
1492 Bluegrass Lakes Parkway  
Alpharetta GA 30004

Or, call Hansgrohe toll-free at (800) 334-0455.

In requesting warranty service, you will need to provide

- 1. The sales receipt or other evidence of the date and place of purchase.
- 2. A description of the problem.
- 3. Delivery of the product or the defective part, postage prepaid and carefully packed and insured, to Hansgrohe Inc. 1492 Bluegrass Lakes Parkway, Alpharetta, Georgia 30004, Attention: Technical Service, if required by Hansgrohe.

When warranty service is completed, any repaired or replacement product or part will be returned to you postage prepaid.

**EXCLUSIONS AND LIMITATIONS**

REPAIR OR REPLACEMENT (OR, IN LIMITED CIRCUMSTANCES, REFUND OF THE PURCHASE PRICE) AS PROVIDED UNDER THIS WARRANTY IS THE EXCLUSIVE REMEDY OF THE PURCHASER. HANSGROHE NEITHER ASSUMES NOR AUTHORIZES ANY PERSON TO CREATE FOR IT ANY OBLIGATION OR LIABILITY IN CONNECTION WITH THIS PRODUCT.

HANSGROHE SHALL NOT BE LIABLE TO PURCHASER OR ANY PERSON FOR ANY INCIDENTAL, SPECIAL, OR CONSEQUENTIAL DAMAGES, ARISING OUT OF BREACH OF THIS WARRANTY OR ANY IMPLIED WARRANTY (INCLUDING MERCHANTABILITY).

Some States do not allow the exclusion or limitation of incidental or consequential damages, so the above limitation or exclusion may not apply to you.

This warranty gives you specific legal rights, and you may have other rights which vary from State to State.

You may be required by law to give us a reasonable opportunity to correct or cure any failure to comply before you can bring any action in court against us under the Magnuson-Moss Warranty Act.

**PRODUCT INSTRUCTIONS AND QUESTIONS**

Upon purchase or prior to installation, please carefully inspect your Hansgrohe product for any damage or visible defect. Prior to installing, always carefully study the enclosed instructions on the proper installation and the care and maintenance of the product. If you have questions at any time about the use, installation, or performance of your Hansgrohe product, or this warranty, please call or write to us at the toll-free number and address printed above.

**hansgrohe**

Hansgrohe, Inc. • 1490 Bluegrass Lakes Parkway • Alpharetta, GA 30004  
Tel. 770 360-9880 • Fax 770 360 9887

[www.hansgrohe-USA.com](http://www.hansgrohe-USA.com)