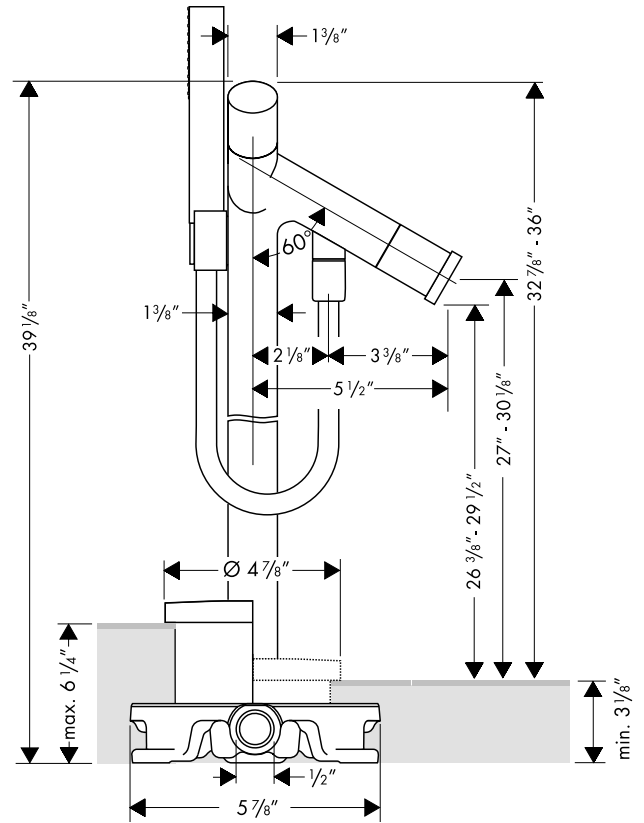
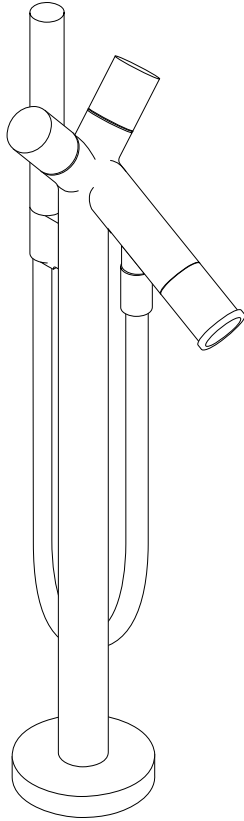


# Axor Starck 2-Handle Tub Filler 10458XX1

Available in Chrome (00), Brushed Nickel (82)



Rough valve 10452181 shown for illustration purposes only. The rough valve is sold separately.

## Product Specification

- Mounts on floor beside tub
- 90° ceramic valve cartridges
- Diverter for handshower built into spout
- Max. flow rate 5.8 gpm
- Starck handshower
  - flow rate 2.5 gpm
  - normal spray mode
- 49" handshower hose
- Requires rough valve 10452181 (not included)

Available accessory: remote pressure balance valve 13418181