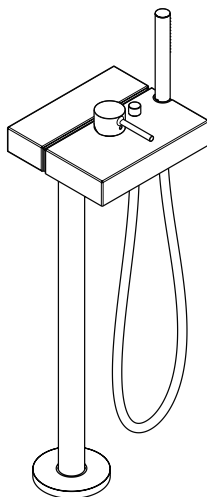


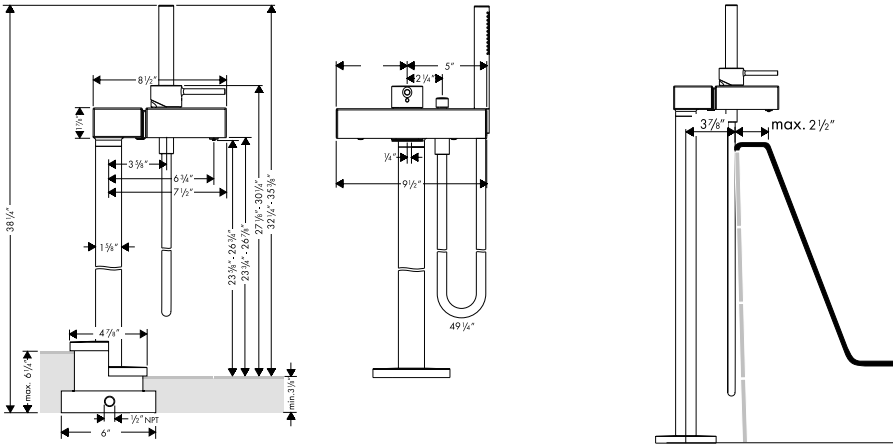
Installation Instructions / Warranty



Starck X
10406001

AXOR[®]
hansgrohe

Starck X Free-Standing Tub Filler 10406001



Technical Specification

Maximum incoming water pressure	145 psi
Recommended water pressure	14.5 - 72 psi
Recommended incoming hot water temp	120°F - 140°F*
Spout flow rate @ 45 psi	5.75 gpm
Handshower flow rate	2.5 gpm

This unit is not anti-scald. If anti-scald capability is desired, or is required by local plumbing codes, install this unit in combination with Hansgrohe remote pressure balance valve 13418181 or similar unit.

Backflow prevention is provided by a check valve in the handshower outlet, and an automatically re-setting diverter.

*Know and follow all applicable plumbing codes when setting the temperature on the water heater.

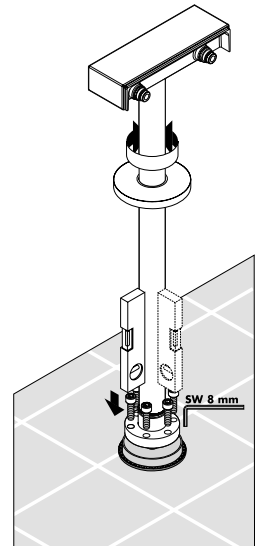
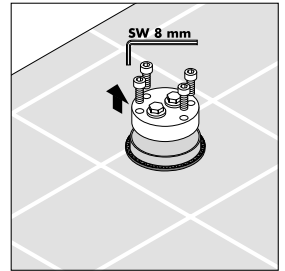
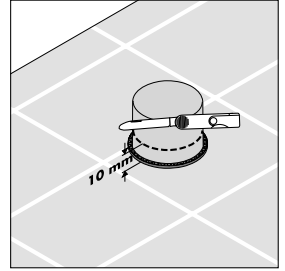
Installation Considerations

- Rough-in 10452181 must be installed, and the finished floor complete before this tub filler can be installed.
- Flush the hot and cold supplies for at least 5 minutes prior to installing the tub filler. Damage to the cartridge caused by debris is not covered under the Hansgrohe warranty.

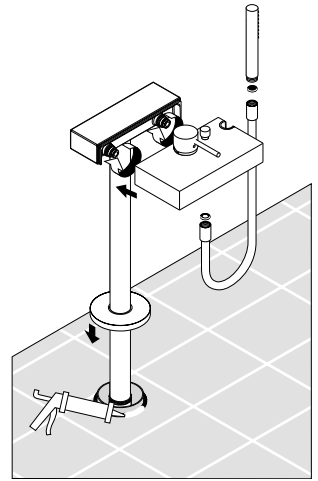
Installation

If installing with Duravit Starck X tub, please see the instructions starting on page 5.

- Cut the plaster shield on the rough-in 3/8" above the finished floor.
- Remove the flush block using an 8 mm allen wrench (not included) to remove the 4 bolts. **Do not discard the bolts!**
- Install the tub filler to the rough. Slide the escutcheon up and out of the way. Make sure that the unit is level in all planes. Use the 8mm allen wrench to tighten the bolts evenly.

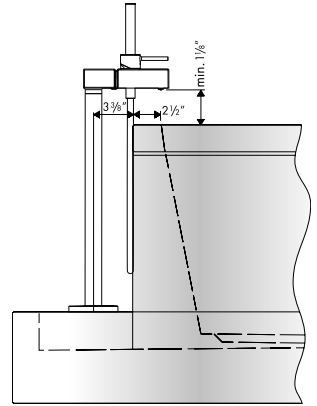


- Seal the floor around the plaster shield with a waterproof sealant compatible with the floor surface. Lower the escutcheon to the floor
- Push the housing over the top of the tub filler. Tighten the nuts.
- Install a black rubber hose washer in the short hose end connection. Connect this end to the handshower port on the bottom of the housing. Install the screen washer in the long hose end connection. Screw this end to the handshower. Lower the handshower into the handshower holder on the side of the tub filler.
- Turn on the water and test all connections for leaks.

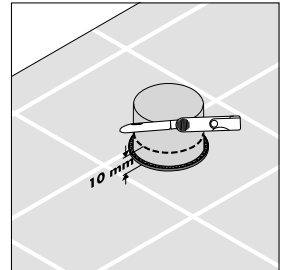


Installation with Duravit Starck X Tub

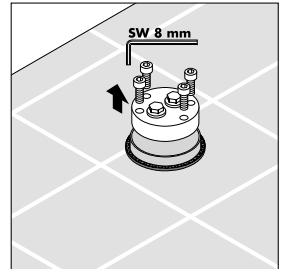
There must be a minimum 1 1/8" air gap between the tub filler and the top of the tub. If the air gap is not at least 1 1/8", order extension 97686000 separately.



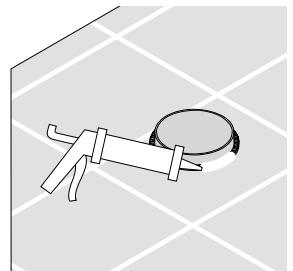
- Cut the plaster shield on the rough-in 3/8" above the finished floor.



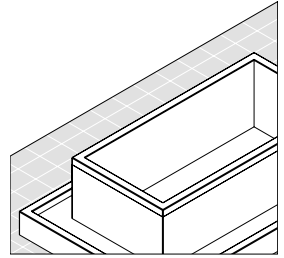
- Remove the flush block using an 8 mm allen wrench (not included) to remove the 4 bolts. **Do not discard the bolts!**



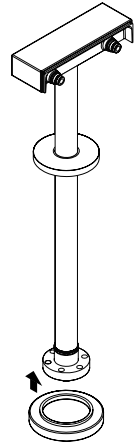
- Seal the floor around the plaster shield with a waterproof bathroom sealant compatible with the floor surface.



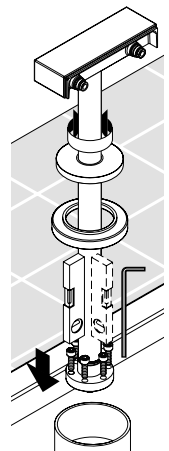
- Install the tub.



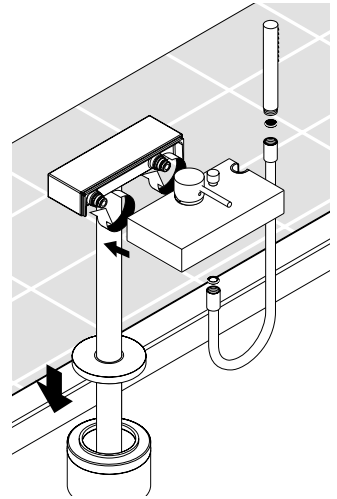
- Place the tub escutcheon over the end of the tub filler.



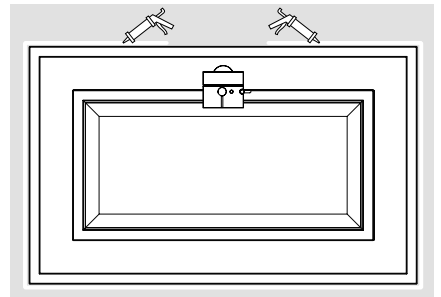
- Install the tub filler to the rough. Slide the escutcheon and the tub escutcheon up and out of the way. Make sure that the unit is level in all planes. Use the 8mm allen wrench to tighten the bolts evenly.



- Lower the tub escutcheon and escutcheon to the floor
- Push the housing over the top of the tub filler. Tighten the nuts.
- Install a black rubber hose washer in the short hose end connection. Connect this end to the handshower port on the bottom of the housing. Install the screen washer in the long hose end connection. Screw this end to the handshower. Lower the handshower into the handshower holder on the side of the tub filler.



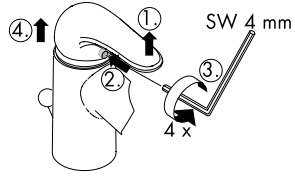
- Seal the floor around the tub.



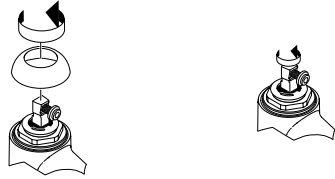
- Turn on the water and test all connections for leaks.

Reset the High Temperature Limit Stop (Optional)

- Use a 4 mm allen wrench to push the gray rubber screw cover through the hole in the handle. Loosen the handle screw 4 complete turns. Pull the handle off. Retrieve the screw cover.

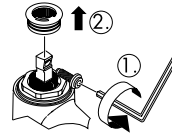


- Remove the nut cover and the handle screw.

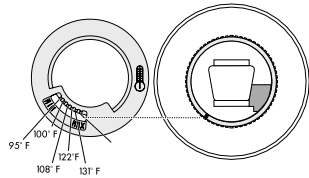


- Center the cartridge stem.

- Remove the handle screw. Pull the green high temperature limit stop straight off the cartridge.

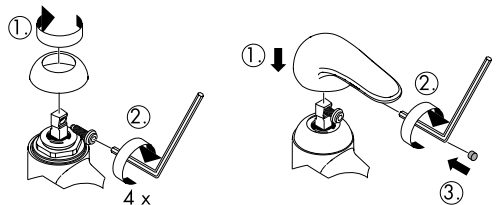


- Reinstall the high temperature limit stop so that the positioning pin on the cartridge is in the hole for the desired high temperature. The temperatures shown on the diagram assume an incoming cold water temperature of 50°F and an incoming hot water temperature of 140°F.



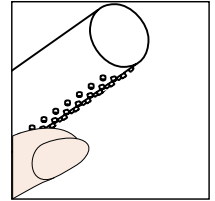
- Test the unit. Reposition the high temperature limit stop again if required.

- Reinstall the nut cover. Reinstall the handle screw and tighten four complete turns. Reinstall the handle and continue tightening the screw. Reinstall the screw cover.



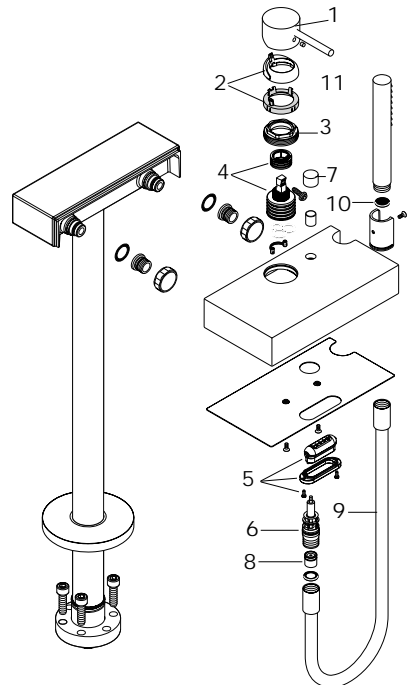
User Instructions

- Pivot the lever upward to turn the water on, down to turn it off. Pivot the handle left to obtain warmer water, to the right to obtain cooler water.
- When the unit is turned on, the water will come from the tub filler. Pull the diverter knob to obtain water from the handshower. When the water is turned off, the diverter will automatically reset to the tub filler position.
- The handshower uses the Rubit!™ self-cleaning system. The spray channels are lined with a material that resists scale buildup. If scale buildup is noticed in the spray channels, turn the water on lightly and rub across the channels with a finger or a sponge to dislodge them.
- The check valve located in the handshower outlet should be removed and checked yearly.



Replacement Parts

1	handle	10490000
1.1	screw cover	96338000
2	flange	96395000
3	nut	96461000
4	cartridge	92730000
5	spray former	97467000
6	diverter	94077000
7	diverter knob	96466000
8	check valve	94074000
9	hose	28282000
10	screen washer	
11	handshower	28531001



Cleaning Recommendation for Hansgrohe Products

Modern faucetry and shower products utilize a combination of materials to comply with the needs of the market with regard to design and functionality.

To avoid damage, it is necessary to use some caution when cleaning. Damage caused by improper treatment is not covered under the Hansgrohe warranty.

Cleaning Materials for Faucets and Showers

- To remove lime scale, use only products made specifically for that purpose. Always follow the manufacturer's instructions when using.
- Do not use cleaners that contain hydrochloric, formic, acetic, or phosphoric acids, as these will cause considerable damage to finishes and to plastic components.
- Never mix cleaning materials.
- Never use cleaners containing abrasives. Do not use abrasive cleaning cloths, pads, or sponges.

Cleaning Procedures

- Clean your faucets and shower products as and when required. Regular cleaning will prevent scale buildup and water spotting.
- Follow the label instructions. Do not allow any cleaner to remain on the product for longer than necessary.
- When using spray cleaners, spray first onto a sponge or cloth – do not spray directly onto the product.
- After cleaning, rinse thoroughly with clear water to remove any cleaner residue.

Important

- Soap and shampoo residue can also cause damage to the product. Rinse well with clean water after use.
- If the surface is already damaged, harsh cleaning materials will cause further damage.

Limited Lifetime Consumer Warranty

This product has been manufactured and tested to the highest quality standards by Hansgrohe, Inc. ("Hansgrohe"). This warranty is limited to Hansgrohe products which are purchased by a consumer in the United States after March 1, 1996, and installed in either the United States or Canada.

WHO IS COVERED BY THE WARRANTY

This warranty extends to the original consumer purchaser only.

WHAT IS COVERED BY THE WARRANTY

This warranty covers only your Hansgrohe manufactured product. Hansgrohe warrants this product against defects in material or workmanship as follows: Hansgrohe will repair at no charge for parts only or, at its option, replace any product or part of the product which proves defective because of improper workmanship and/or material, under normal installation, use, service and maintenance. If Hansgrohe is unable to provide a replacement and repair is not practical or cannot be timely made, Hansgrohe may elect to refund the purchase price in exchange for the return of the product.

LENGTH OF WARRANTY

Replacement or repaired parts of products will be covered for the term of this warranty as stated in the following two sentences. If you are a consumer who purchased the product for use primarily for personal, family, or household purposes, this warranty extends for as long as you own the product and the home in which the product is installed. If you purchased the product for use primarily for any other purpose, including, without limitation, a commercial purpose, this warranty extends only (i) for 1 year, with respect to Interaktiv and Retroaktiv products, and (ii) for 5 years, with respect to AXOR, ShowerPower and Pharo products.

THIS WARRANTY DOES NOT COVER, AND HANSGROHE WILL NOT PAY FOR:

- A. Conditions, malfunctions or damage not resulting from defects in material or workmanship.
- B. Conditions, malfunctions or damage resulting from (1) improper installation, improper maintenance, misuse, abuse, negligence, accident or alteration, or (2) the use of abrasive or caustic cleaning agents or "no rinse" cleaning products, or the use of the product in any manner contrary to the product instructions.
- C. Labor or other expenses for the disconnection or return of the product for warranty service, or for installation or reinstallation of the product.
- D. Accessories or related products not manufactured by Hansgrohe.

TO OBTAIN WARRANTY SERVICE

Contact your Hansgrohe retailer, or write to Technical Service at:

Hansgrohe Inc.
1492 Bluegrass Lakes Parkway
Alpharetta GA 30004

Or, call Hansgrohe toll-free at (800) 334-0455.

In requesting warranty service, you will need to provide

- 1. The sales receipt or other evidence of the date and place of purchase.
- 2. A description of the problem.
- 3. Delivery of the product or the defective part, postage prepaid and carefully packed and insured, to Hansgrohe Inc. 1492 Bluegrass Lakes Parkway, Alpharetta, Georgia 30004, Attention: Technical Service, if required by Hansgrohe.

When warranty service is completed, any repaired or replacement product or part will be returned to you postage prepaid.

EXCLUSIONS AND LIMITATIONS

REPAIR OR REPLACEMENT (OR, IN LIMITED CIRCUMSTANCES, REFUND OF THE PURCHASE PRICE) AS PROVIDED UNDER THIS WARRANTY IS THE EXCLUSIVE REMEDY OF THE PURCHASER. HANSGROHE NEITHER ASSUMES NOR AUTHORIZES ANY PERSON TO CREATE FOR IT ANY OBLIGATION OR LIABILITY IN CONNECTION WITH THIS PRODUCT.

HANSGROHE SHALL NOT BE LIABLE TO PURCHASER OR ANY PERSON FOR ANY INCIDENTAL, SPECIAL, OR CONSEQUENTIAL DAMAGES, ARISING OUT OF BREACH OF THIS WARRANTY OR ANY IMPLIED WARRANTY (INCLUDING MERCHANTABILITY).

Some States do not allow the exclusion or limitation of incidental or consequential damages, so the above limitation or exclusion may not apply to you.

This warranty gives you specific legal rights, and you may have other rights which vary from State to State.

You may be required by law to give us a reasonable opportunity to correct or cure any failure to comply before you can bring any action in court against us under the Magnuson-Moss Warranty Act.

PRODUCT INSTRUCTIONS AND QUESTIONS

Upon purchase or prior to installation, please carefully inspect your Hansgrohe product for any damage or visible defect. Prior to installing, always carefully study the enclosed instructions on the proper installation and the care and maintenance of the product. If you have questions at any time about the use, installation, or performance of your Hansgrohe product, or this warranty, please call or write to us at the toll-free number and address printed above.

hansgrohe

Hansgrohe, Inc. • 1490 Bluegrass Lakes Parkway • Alpharetta, GA 30004
Tel. 770 360-9880 • Fax 770 360 9887
www.hansgrohe-USA.com