

Product Features

- Lever handle
- Flow rate 6.5 gpm @ 44 psi

Available Finishes

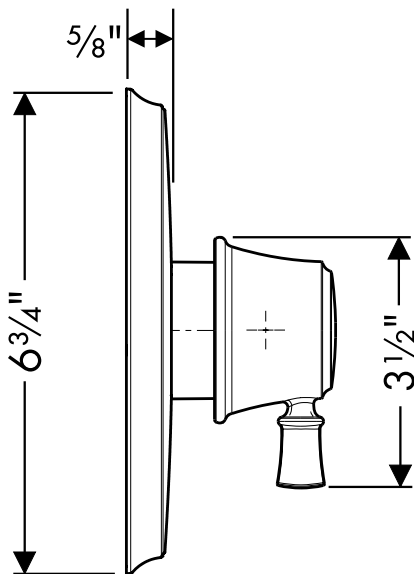
Chrome	04223000
Oil Rub Bronze	04223620
Brushed Nickel	04223820
Polished Nickel	04223830
Rubbed Bronze	04223920
Polished Brass	04223930

Required Accessories

iBox Universal Plus	01850181
---------------------	----------

Optional Accessories

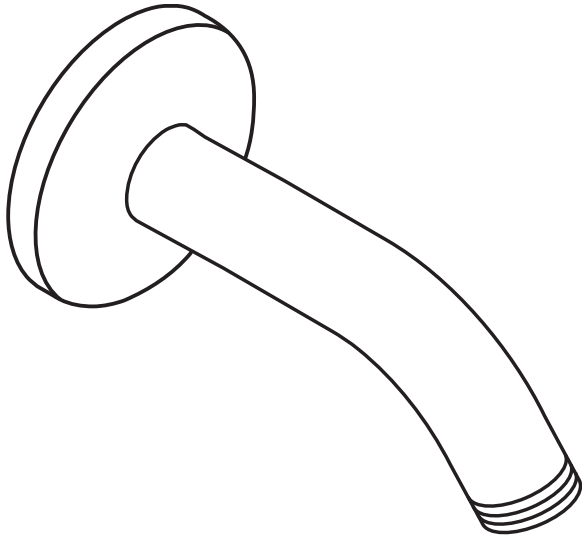
Shallow extension set	13596XX0
-----------------------	----------



The measurements shown are for reference only.

Products and specifications shown are subject to change without notice.

Specification sheet revised 12/2009

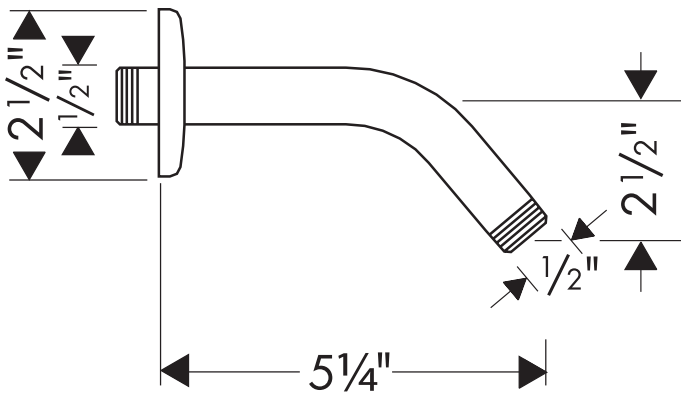


Product Features

- 1/2" male inlet
- Includes escutcheon
- Not for use with oversized or square showerheads

Available Finishes

Chrome	27411003
Oil Rubbed Bronze	27411623
Brushed Nickel	27411823
Polished Nickel	27411833
Rubbed Bronze	27411923
Polished Brass	27411933



Optional Accessories

C Escutcheon for standard showerarm	04068XX0
-------------------------------------	----------

The measurements shown are for reference only.

Products and specifications shown are subject to change without notice.

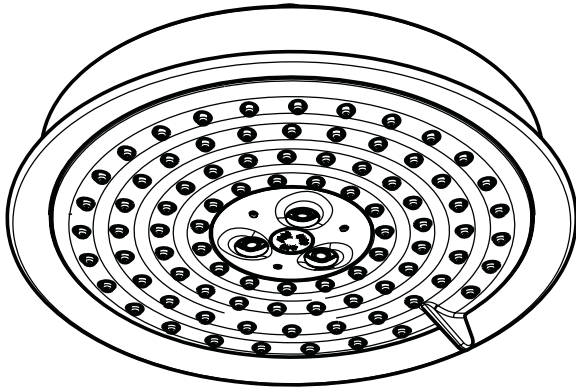
Specification sheet revised 1/2009

Raindance C 150 AIR 3-Jet Showerhead

28471xx1

AIR
POWER

QUICK
CLEAN



Product Features

- Oversized spray face
- AIR injection technology
- Three spray modes: Rain AIR, Balance AIR, Whirl AIR
- 1/2" female inlet
- 86 no-clog spray channels
- 2.5 GPM

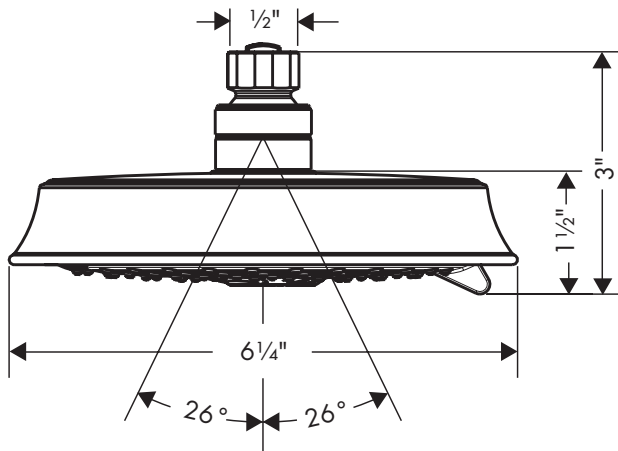
Code Compliance

This unit meets or exceeds the following:

- ASME A112.18.1 / CSA B125.1
- Listed by IAPMO

Available Finishes

Chrome	28471001
Oil Rub Bronze	28471621
Brushed Nickel	28471821
Polished Nickel	28471831
Rubbed Bronze	28471921
Polished Brass	28471931



The measurements shown are for reference only.

Products and specifications shown are subject to change without notice.

Specification sheet revised 10/2010

hansgrohe