

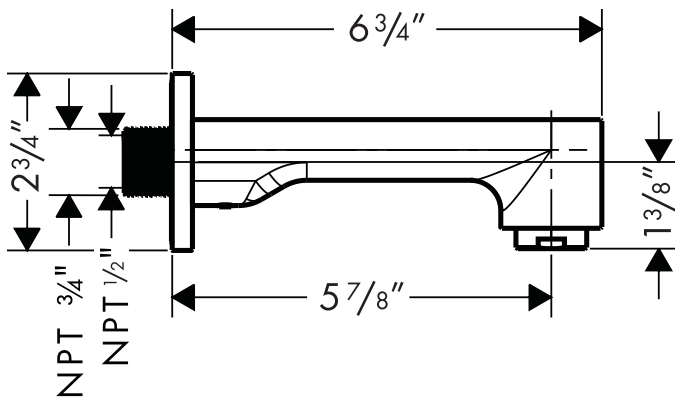
Product Features

- Solid brass
- Dual-threaded mounting piece: 1/2" NPT female, 3/4" NPT male

Code Compliance

This unit meets or exceeds the following:

- ASME A112.18.1
- CSA B125.1
- Listed by IAPMO



Available Finishes

Chrome	14413001
Brushed Nickel	14413821
Polished Nickel	14413831

Installation Notes

- Requires either 3/4" NPT female or 1/2" NPT male fitting, recessed 3/8" behind surface of finished wall

The measurements shown are for reference only.

Products and specifications shown are subject to change without notice.

Specification sheet revised 5/2009

Product data sheet (PDF)

S/ E Pressure Balance Trim

Description

- . Temperature and volume control for 1 outlet
- . Lever Handle
- . Flow 6.5 GPM @ 44 PSI
- . 7/8 inch shallow extension set # 13596xx0

Finishes

Art. no.

Price excl. VAT

chrome

04355000

160.00 \$

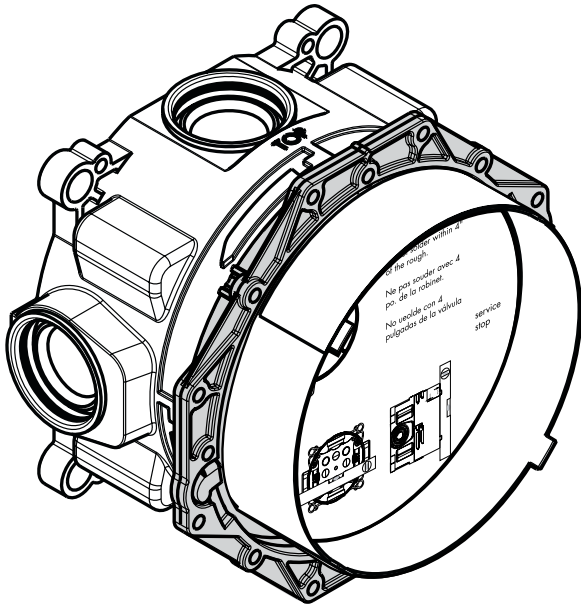
brushed nickel

04355820

225.00 \$

Product image





Product Features

- 4-port universal rough w/service stops
- 3/4" inlets and outlets
- Includes three 1/2" reducers, one 3/4" plug, seal
- Rough valve for several types of shower valves: thermostatic mixer; thermostatic mixer with volume control; thermostatic mixer with volume control/diverter; pressure balance valve
- Also rough for Raindance Rainfall 28411XX1

Code Compliance

This unit meets or exceeds the following (when installed with trim kit):

- ASME A112.18.1
- CSA B125.1
- Listed by IAPMO

Required Accessories

Trim kit – many styles available

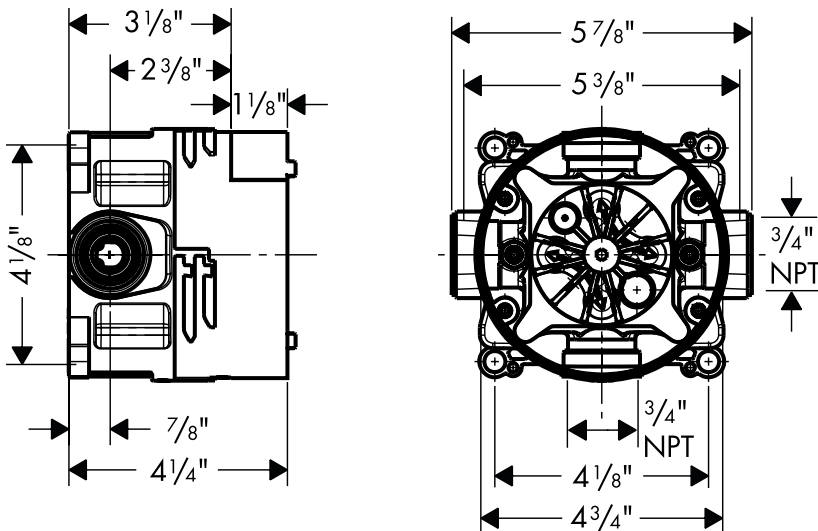
Optional Accessories

1" extension (deep rough-in)

13595000

Mounting kit

96615000



The measurements shown are for reference only.

Products and specifications shown are subject to change without notice.

Specification sheet revised 1/2010