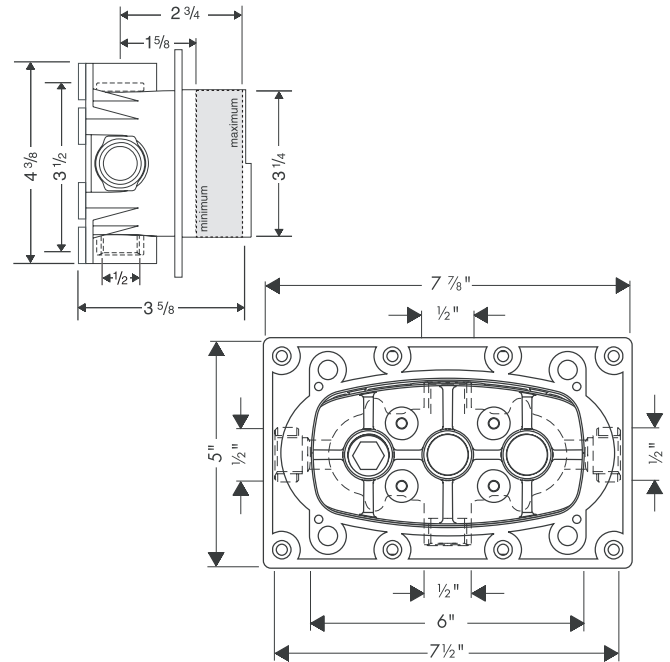
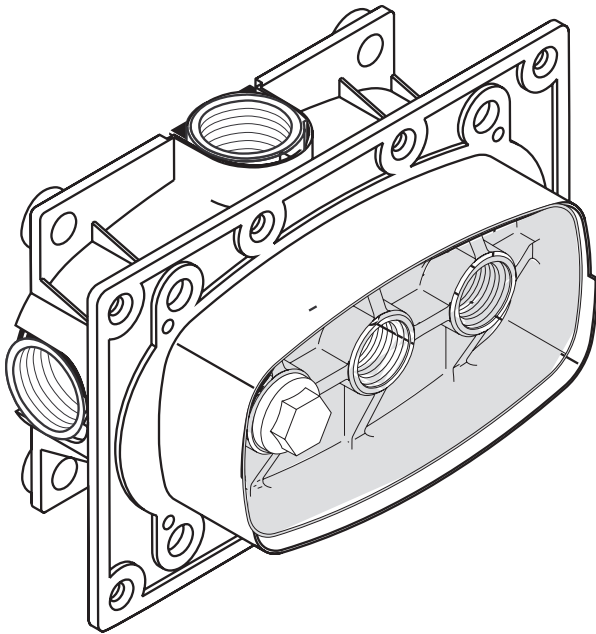


# Rough, 1/2" Thermostatic Mixer 15373181

Listed by UL and IAPMO

Complies with ANSI/ASME A112.18.1M-1996, ANSI/ASSE 1016-1996



## Product Specification

Maintains water temperature + / - 1°F

Water flow determined by the thermoelement (included with trim kit)

Rough accommodates both Ecostat and Ecomax trim

Includes installation box with flush insert

1/2" NPT female inlets

No "off" position - requires volume control valve(s)

Not for use with a diverter tub spout.

**hansgrohe**