

## Product Features

- 1/2" NPT female inlets

## Code Compliance

This unit meets or exceeds the following:

- ASME A112.18.1
- CSA B125.1
- Listed by IAPMO
- Approved for use in Massachusetts

## Required Accessories

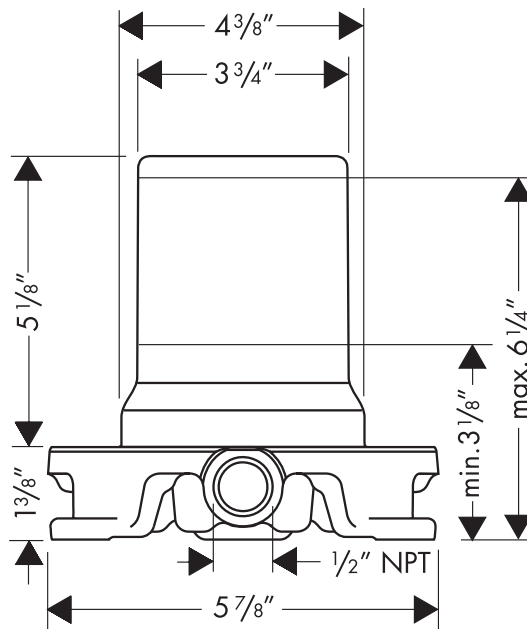
Montreux 2-Handle Freestanding Tub Filler

16547XX1

## Optional Accessories

In-line pressure balance valve

13418181



The measurements shown are for reference only.

Products and specifications shown are subject to change without notice.

Specification sheet revised 2/2008

## Installation Notes

- Installed in the floor next to the tub
- To insure proper fit of the tub filler, the outside surface of the finished floor (tile, etc.) must fall between the "min" and "max" markings.