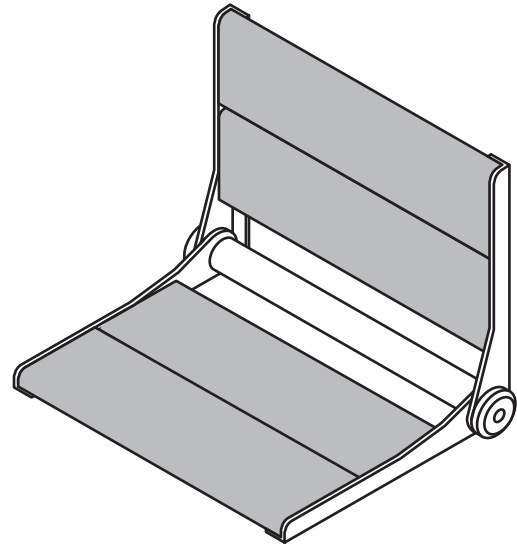


Technical Data Sheet

Product Specification

The shower seat shall have a Brazilian Walnut back rest and seating surface. The seating surface shall be 18"/46cm in width if using WS-18, or 26"/66cm in width if using WS-26. Product back rest shall be removable. Product shall fold up against the wall with a profile of less than 3"/7.62cm. Product shall be held in the folded position using a tension hinge. The product shall be supported by two 15.5"/39.37cm hidden supports. The seat frame shall be constructed of corrosion resistant 6061-T6 aluminum. Product shall have a weight capacity in excess of 450lbs / 205kg. Product shall comply with ADAAG 5.26.3 specifying the structural strength of grab bars, tubs and shower seats.



Key Features

- Brazilian Walnut Seat and Back Rest
- Fold Away Storage
- Slim Profile (Under 3" when folded)
- Solid Construction and Mounting
- Hidden Mounting Brackets
- 450lbs / 205kg Weight Capacity

Codes and Standards

- ADAAG 4.26.3
- Ontario Building Code Section 3.8.3.13

Specified Model

Model	Seat Width	Frame Finish	Seat Material / Finish	Frame Material
WS-18-WD-PCG	18" / 46cm	Powder Coat Grey	Brazilian Walnut / Oil finish (does not contain VOCs - Volatile Organic Compounds)	Aluminum 6061-T6
WS-18-WD-CRP	18" / 46cm	Triple Chrome Plate		
WS-18-WD-BN	18" / 46cm	Brushed Nickel		
WS-26-WD-PCG	26" / 66cm	Powder Coat Grey		

SerenaSeat™

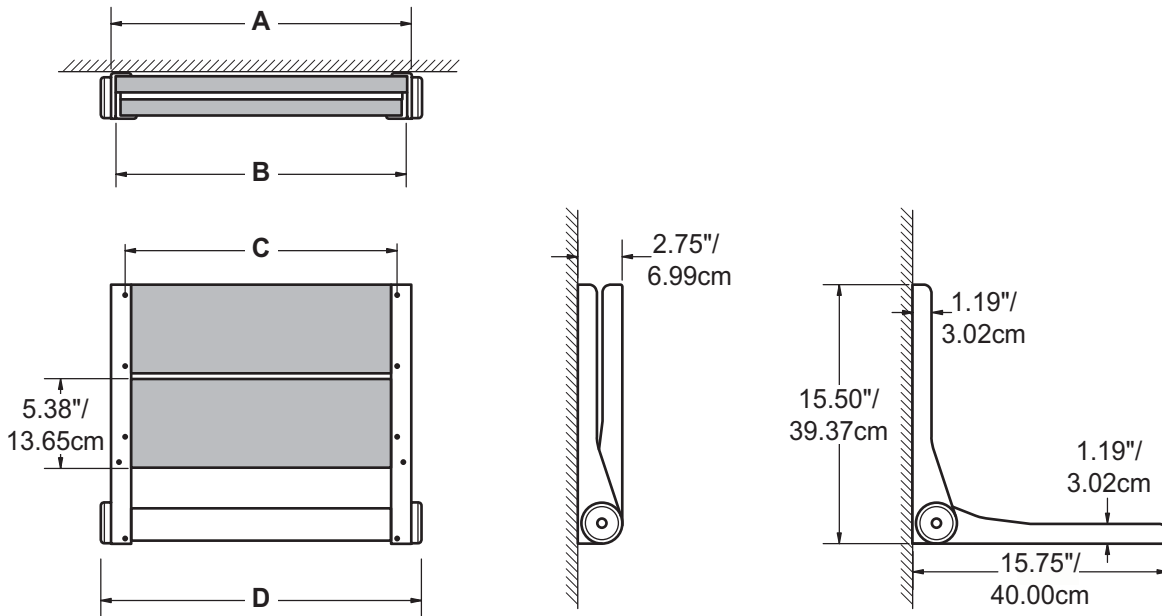
Fold Down Shower Seat



Technical Data Sheet

Product Dimensions

Model	A (Back Rest)	B (Seat)	C (Hole Spacing)	D (Overall Width)	Weight
WS-18	18.58" / 47.19cm	17.96" / 45.62cm	16.83" / 42.75cm	19.84" / 50.39cm	19lbs / 8.5kg
WS-26	26.58" / 67.51cm	25.96" / 65.94cm	24.83" / 63.07cm	27.84" / 70.71cm	30lbs / 13.5kg



Shipping Dimensions

Model	Height (H)	Width (W)	Depth (D)	Weight
WS-18	17.5" / 44.45cm	21" / 53.34cm	3.5" / 8.89cm	20lbs / 9kg
WS-26	17.5" / 44.45cm	29" / 73.66cm	3.5" / 8.89cm	31lbs / 14kg

