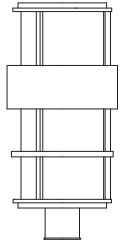
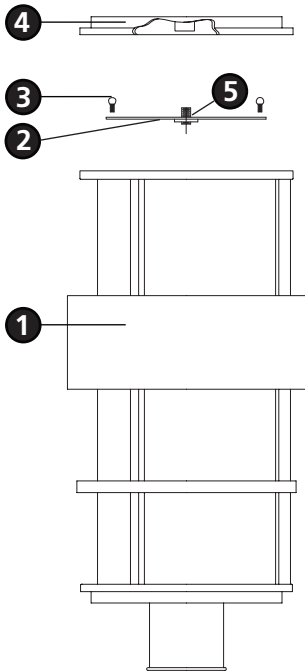


Family: Saturn | Item No. 1901 OI/MT/VK



**Drawing 1 - Fixture Assembly**



## ▼ start here

**1**

1. Find a clear area in which you can work.
2. Unpack fixture and glass from carton.
3. Carefully review instructions prior to assembly.

**\*\*\* The construction of this fixture will be accomplished by first lamping the fixture, making all necessary electrical connections, and then mounting the fixture to pre-installed post.**

**2**

1. To lamp fixture, remove top strap (2), located at the top of the main body assembly (1) by removing the two ball knob screws (3) from each end of the strap (2) - see **Drawing 3**.
2. Fixture can now be lamped accordingly.
3. Replace strap (2) and secure with ball knob screws (3) removed earlier.
4. Thread roof (4) onto nipple (5).

**SAFETY WARNING: READ WIRING AND GROUNDING INSTRUCTIONS (I.S. 18) AND ANY ADDITIONAL DIRECTIONS. TURN POWER SUPPLY OFF DURING INSTALLATION. IF NEW WIRING IS REQUIRED, CONSULT A QUALIFIED ELECTRICIAN OR LOCAL AUTHORITIES FOR CODE REQUIREMENTS.**

**3**

Make electrical connections from supply wire to fixture lead wires. Refer to instruction sheet (I.S. 18) and follow all instructions to make all necessary wiring connections. Then refer back to this sheet to continue installation of this fixture.

**4**

1. Slip post fitter (A) over top of pre-installed post (B) - see **Drawing 2**.
2. Using the holes in the side of the post fitter as guides, drill three 1/16" diameter holes in the pole.
3. Now screw in the three sheet metal screws (C) to secure fixture.

Note: Maximum wattage for 1901 fixture is 100 watts per bulb.

2.7.08

**Drawing 2 - Fixture Mounting**

