



installation and operation manual for Hunter Ceiling Fans

**For Your Records and Warranty
Assistance**

Model Name: _____

Catalog/Model No.: _____

Serial No.: _____

Date Purchased: _____

Where Purchased: _____

For reference also attach your receipt or a
copy of your receipt to the manual.

TYPE 3 Models

Welcome

Your new Hunter® ceiling fan is an addition to your home or office that will provide comfort and performance for many years. This installation and operation manual gives you complete instructions for installing and operating your fan.

We are proud of our work. We appreciate the opportunity to supply you with the best ceiling fan available anywhere in the world.

Before installing your fan, for your records and warranty assistance, record information from the carton and Hunter nameplate label (located on the top of the fan motor housing).

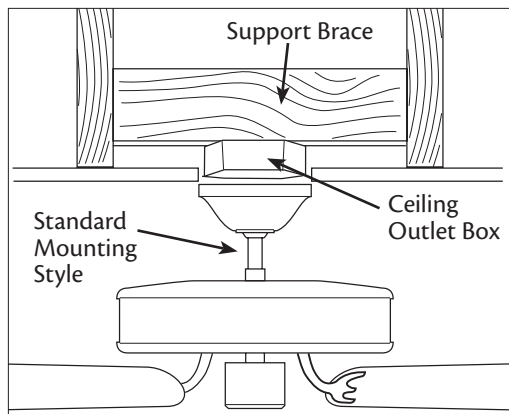
Table of Contents

1 • Getting Ready	4
2 • Installing the Ceiling Plate.....	5
3 • Assembling the Blades	6
4 • Assembling the Top Housing.....	7
5 • Assembling and Hanging the Fan.....	8
6 • Setting the Remote Transmitter and Receiver	9
7 • Wiring the Fan.....	10
8 • Installing the Canopy.....	12
9 • Completing Your Installation With a Light Fixture.....	13
10 • Operating the Remote Control and Mounting the Holder.....	14
11 • Operating and Cleaning Your Ceiling Fan.....	15
12 • Troubleshooting.....	16

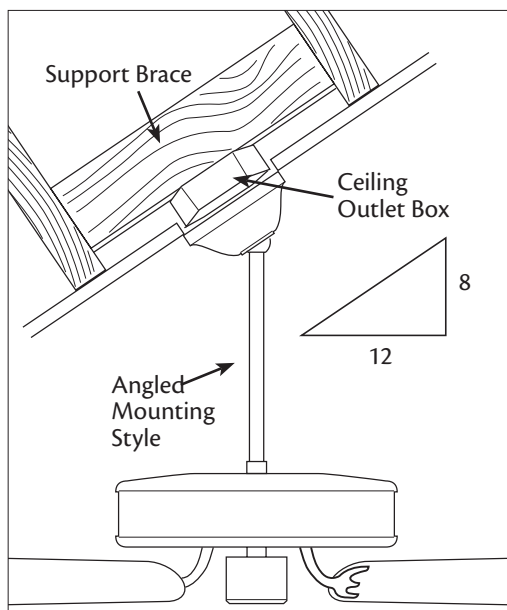
Cautions and Warnings

- **READ THIS ENTIRE MANUAL CAREFULLY BEFORE BEGINNING INSTALLATION. SAVE THESE INSTRUCTIONS.**
- Use only Hunter replacement parts.
- To reduce the risk of personal injury, attach the fan directly to the support structure of the building according to these instructions, and use only the hardware supplied.
- To avoid possible electrical shock, before installing your fan, disconnect the power by turning off the circuit breakers to the outlet box and associated wall switch location. If you cannot lock the circuit breakers in the off position, securely fasten a prominent warning device, such as a tag, to the service panel.
- All wiring must be in accordance with national and local electrical codes and ANSI/NFPA 70. If you are unfamiliar with wiring, use a qualified electrician.
- To reduce the risk of personal injury, do not bend the blade attachment system when installing, balancing, or cleaning the fan. Never insert foreign objects between rotating fan blades.
- To reduce the risk of fire, electrical shock, or motor damage, do not use a solid-state speed control with this fan. Use only Hunter speed controls.

Installer's Choice and Optional Accessories



Standard Mounting hangs from the ceiling by a downrod (included).



Angled Mounting recommended for a vaulted or angled ceiling

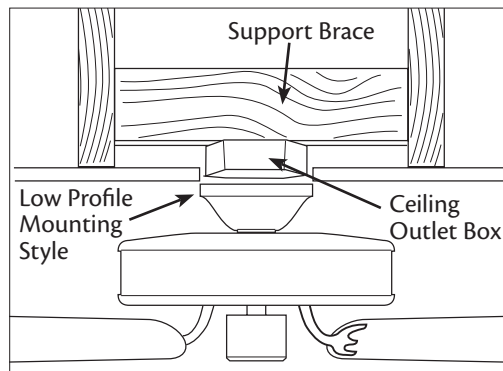
Understanding Mounting and Installer's Choice®

Hunter's patented 3-position mounting system provides you maximum installation flexibility and ease. You can install your Hunter fan in one of three ways, depending on ceiling height and your preference: Low Profile, Standard, or Angled mounting. The steps in this manual include instructions for all three Installer's Choice mounting methods.

Considering Optional Accessories

Consider using Hunter's optional accessories, including a wall-mounted or remote speed control. To install and use the accessories, follow the instructions included with each product. For quiet and optimum performance of your Hunter fan, use only Hunter speed controls.

For ceilings higher than 8 feet, you can purchase Hunter extension downrods. All Hunter fans use sturdy 3/4 in. diameter pipe to assure stability and wobble-free performance.



Low Profile Mounting fits close to the ceiling, recommended for ceilings less than 8 feet high

▲ CAUTION: To reduce the risk of personal injury, attach the fan directly to the support structure of the building according to these instructions, and use only the hardware supplied.

1 • Getting Ready

To install a ceiling fan, be sure you can do the following:

- Locate the ceiling joist or other suitable support in ceiling.
- Drill holes for and install wood screws.
- Identify and connect electrical wires.
- Lift 40 pounds.

If you need help installing the fan, your Hunter fan dealer can direct you to a licensed installer or electrician.

Gathering the Tools

You will need the following tools for installing the fan:

- Electric drill with 9/64 in. bit
- Standard screwdriver (magnetic tip recommended)
- Phillips-head screwdriver (magnetic tip recommended)
- Wrench or pliers
- Ladder (height dependent upon installation site)

Checking Your Fan Parts

Carefully unpack your fan to avoid damage to the fan parts. Refer to the included Parts Guide. Check for any shipping damage to the motor or fan blades. If any parts are missing or damaged, contact your Hunter dealer or call Hunter Technical Support Department at 888-830-1326.

Preparing the Fan Site

Before you begin installing the fan, follow all the instructions in the pullout sheet called "Preparing the Fan Site." Proper ceiling fan location and attachment to the building structure are essential for safety, reliable operation, maximum efficiency, and energy savings.

Installing Multiple Fans?

If you are installing more than one fan, keep the fan blades and blade irons (if applicable) in sets, as they were shipped.

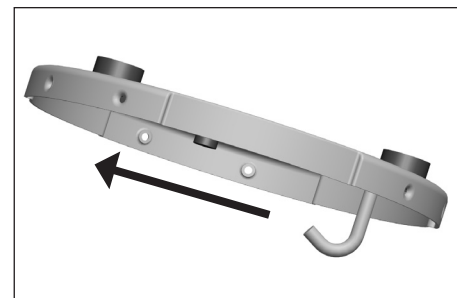
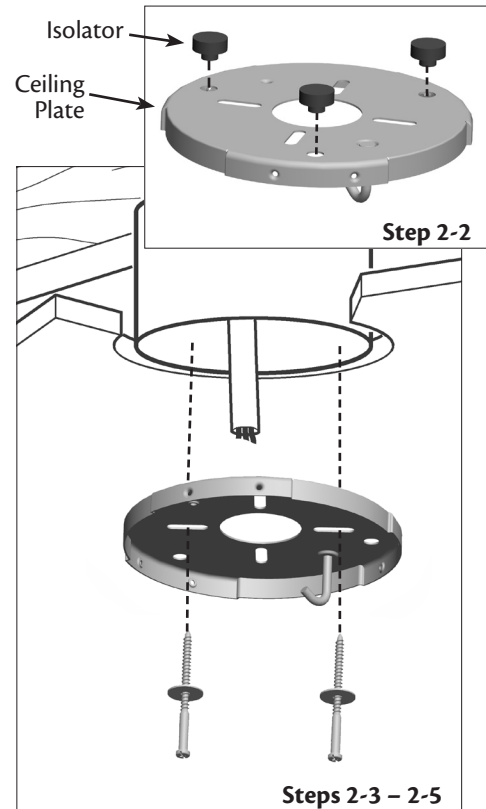
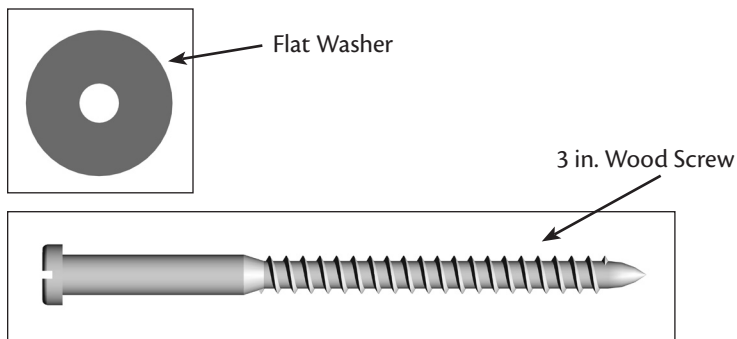
2 • Installing the Ceiling Plate

▲ CAUTION: To avoid possible electrical shock, before installing your fan, disconnect the power by turning off the circuit breakers to the outlet box and associated wall switch location. If you cannot lock the circuit breakers in the off position, securely fasten a prominent warning device, such as a tag, to the service panel.

- 2-1. Drill two pilot holes into the wood support structure through the outermost holes in the outlet box. The pilot holes should have a diameter of $9/64$ in.
- 2-2. Your fan comes with three neoprene noise isolators (“Isolators”). Position the isolators between the ceiling plate and ceiling by inserting the raised areas on each isolator into the holes in the ceiling plate.
- 2-3. Thread the lead wires from the outlet box down through the hole in the middle of the ceiling plate.
- 2-4. Align the slotted holes in the ceiling plate with the pilot holes you drilled in the wood support structure. For proper alignment use slotted holes directly across from each other.
- 2-5. Place a flat washer on each of the two 3 in. wood screws and pass the screws through the slotted holes in the ceiling plate into the pilot holes you drilled.

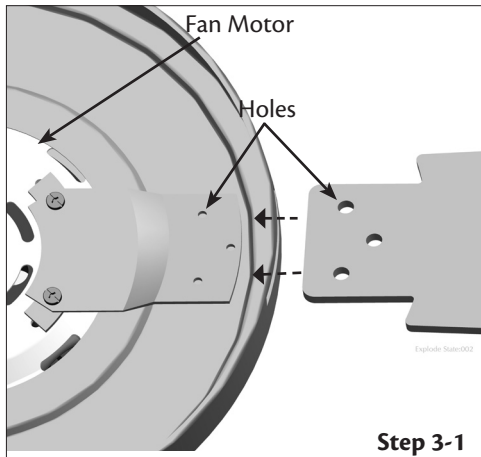
Note: The isolators should be flush against the ceiling.

Tighten the screws into the $9/64$ in. pilot holes; do not use lubricants on the screws. Do not over tighten.

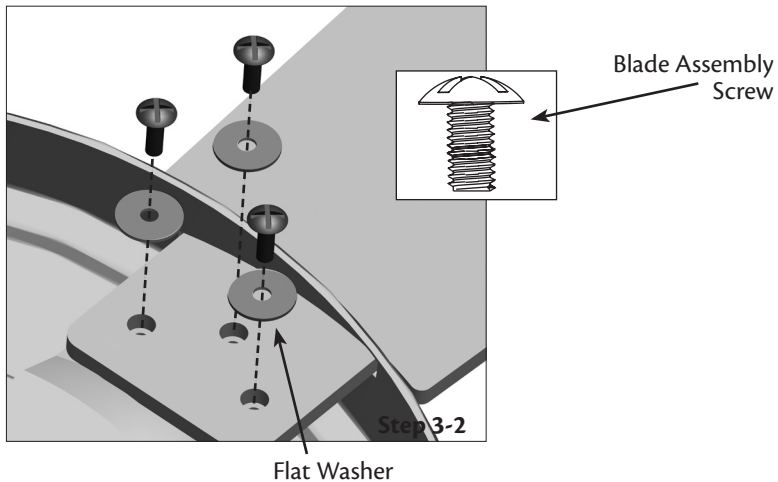


For Angled Ceilings: Be sure to orient the ceiling plate so that the hook and one of the threaded screw holes in the ceiling plate are on the lower side.

3 • Assembling the Blades

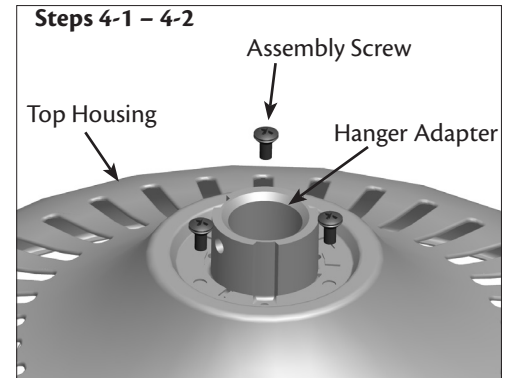


- 3-1. Insert blade into slot. Align the holes on the blade with the holes in the fan motor.
- 3-2. Slide flat washers onto the shafts of the blade assembly screws.
- 3-3. Attach the blade to the motor using the blade assembly screws.
- 3-4. Repeat for each blade.



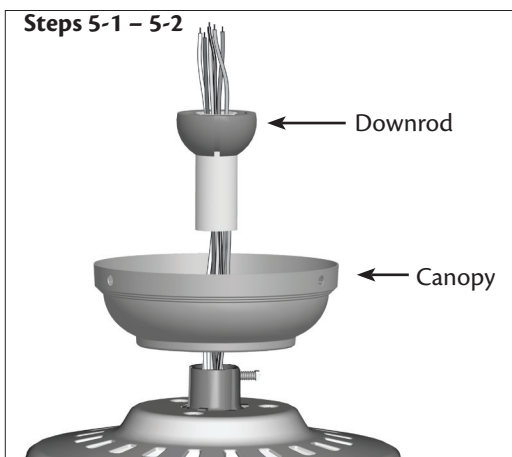
4 • Assembling the Top Housing

- 4-1. To assemble the housing to the hanger adapter, align the three raised tabs on the hanger adapter with the three narrow notches in the top housing. Make certain the housing sits flat on the adapter.
- 4-2. Install three (3) assembly screws and tighten them securely.



5 • Assembling and Hanging the Fan

Steps 5-1 – 5-2



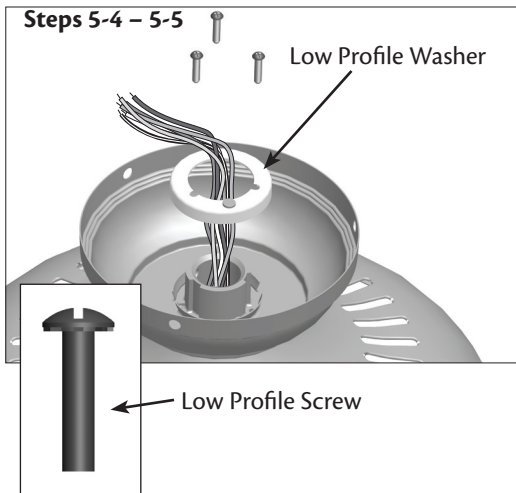
You can assemble your fan for standard mounting (steps 5-1 – 5-2) or for low profile mounting (steps 5-3 – 5-5). **Note:** For low profile mounting, the downrod is replaced with the low profile washer.

5-1. To assemble fan to hang down from a flat or angled ceiling, insert the downrod through the canopy. Feed the wires from the fan through the downrod.

5-2. Loosen the square head set screw on the adapter to install the pipe and ball assembly. **Note:** When the pipe and ball assembly is fully installed, 2-3 threads on the pipe will still be visible; this is normal. Securely retighten the set screw with a wrench or pliers. Skip to Step 5-6.

▲ CAUTION: The adapter has a special coating on the threads. Do not remove this coating; the coating prevents the downrod from unscrewing. Once assembled, do not remove the downrod.

Steps 5-4 – 5-5



5-3. Remove the set screw from the adapter.

5-4. Place the low profile washer (lip down) into the canopy. Be sure the green ground wire is pointing up toward the ceiling.

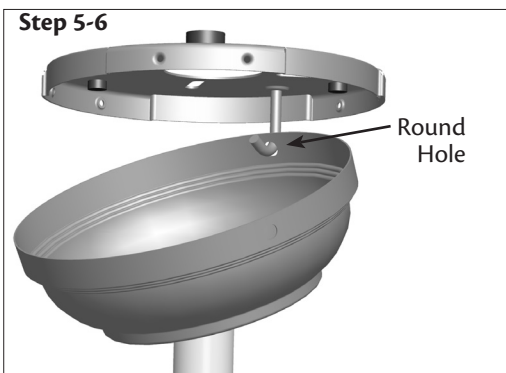
5-5. Align the holes in the washer with the holes in the adapter. Assemble securely with three low profile screws.

Note: Before hanging the fan, align and engage the two tabs from the bottom of the canopy and the two grooves in the hanger ball.

5-6. Raise the fan and place the hook on the ceiling plate through the round hole in the rim.

▲ WARNING: Fan may fall if not assembled as directed in these installation instructions.

Step 5-6



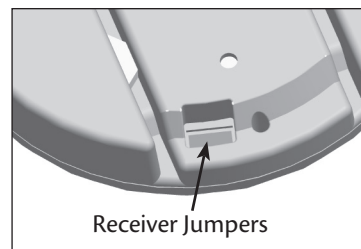
6 • Setting the Remote Transmitter and Receiver

IMPORTANT! Before you change the jumper settings, make sure the battery is not connected to the transmitter.

Setting Transmitter and Receiver Codes

When two or more fans are located near each other, you may desire to have the receiver/transmitter for each fan set to a different code, so that the operation of one fan does not affect the operation of the other fans.

The jumpers for the receiver are located on the flat surface of the receiver. The jumpers for the transmitter are in the battery compartment. The jumpers are very small; you can move them most easily using a small pair of pliers or tweezers.



- 6-1. Change the position of the jumpers in the remote transmitter and the receiver. Make sure that the jumpers match in the remote receiver and transmitter. If they don't match, the transmitter will not function.
- 6-2. Install the included 12-volt battery into the transmitter.

⚠ CAUTION: The remote control device complies with part 15 of the FCC rules. Changes or modifications not expressly approved by Hunter Fan Company could void your authority to operate this equipment.

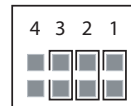
Operation is subject to the following two conditions:

1. This device may not cause harmful interference.
2. This device must accept any interference received, including interference that may cause undesired operation.

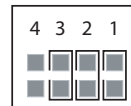
⚠ WARNING: Use only the Hunter Fan speed control supplied with this fan.

Example Jumpers Settings

Receiver 1

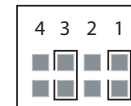


Transmitter 1

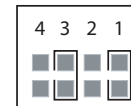


4 = off
3 = on
2 = on
1 = on

Receiver 2

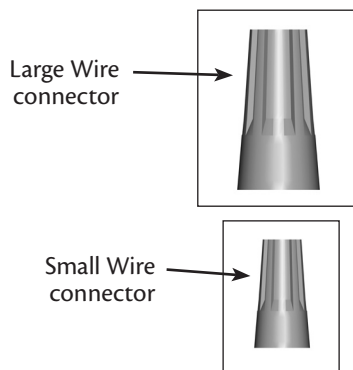
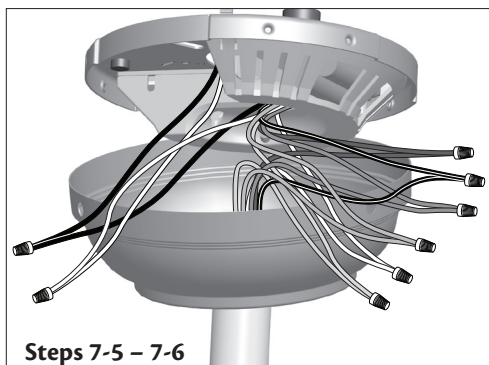


Transmitter 2



4 = off
3 = on
2 = off
1 = on

7 • Wiring the Fan



All wiring must be in accordance with national and local electrical codes and ANSI/NFPA 70. If you are unfamiliar with wiring, use a qualified electrician.

Wall switches are not included. Select an acceptable general-use switch in accordance with national and local electrical codes.

- 7-1. Disconnect the power by turning off the circuit breakers to the outlet box and associated wall switch location.
- 7-2. Place the receiver inside the canopy, making sure that the dipswitches and the oval shaped holes in the bottom of the receiver are facing down toward the bottom of the canopy.
- 7-3. Spread the receiver lead wires to each side and feed the wires from the top of the fan through the open slot in the receiver.
- 7-4. Place the receiver in the canopy. Make sure the slot in the receiver is aligned with the hook in the ceiling plate.
- 7-5. To connect the wires, hold the bare metal leads together and place a wire connector over them, then twist clockwise until tight. Using the small wire connectors, connect the fan to the receiver as follows:
 - Connect the yellow wire from the fan to the yellow wire from the receiver.
 - Connect the pink wire from the fan to the pink wire from the receiver.
 - Connect the grey wire from the fan to the grey wire from the receiver.
 - Connect the red wire from the fan to the red wire from the receiver.
 - Connect the black wire with a white stripe from the fan to the black wire with a white stripe from the receiver.
 - Connect the white wire from the fan to the white wire (LIGHT OUT) from the receiver.

7-6. Using the large wire connectors, connect the fan and receiver to the power wires as follows:

- Connect the white wire (A/C IN) from the receiver to the white wire from the ceiling.
- Connect the black wire from the receiver to the black wire from the ceiling.

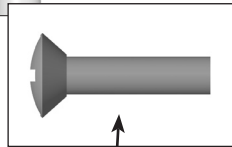
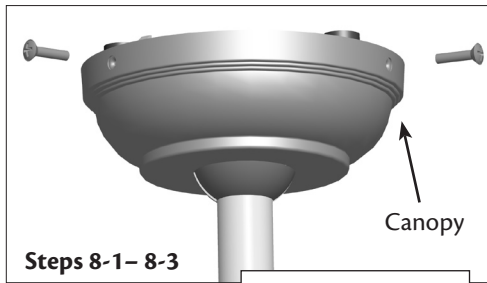
⚠ CAUTION: Be sure no bare wire or wire strands are visible after making connections.

7-7. Run the thin white antenna wire from the receiver through one of the slots in the ceiling plate. (For best reception, make sure the end of the antenna is exposed at the top of the canopy.)

7-8. Connect the green ground wires from the ceiling plate and the downrod to the ground wire from the ceiling.

7-9. Push all wires and wire connectors back through the ceiling plate hole into the outlet box. Place the green and white wires on a separate side of the outlet box from the other wires.

8 • Installing the Canopy

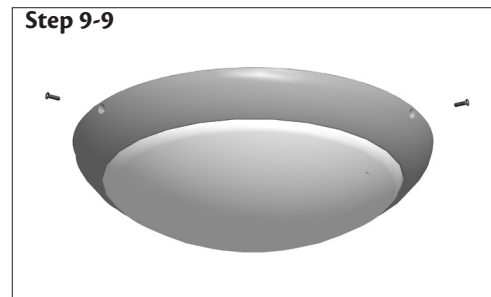
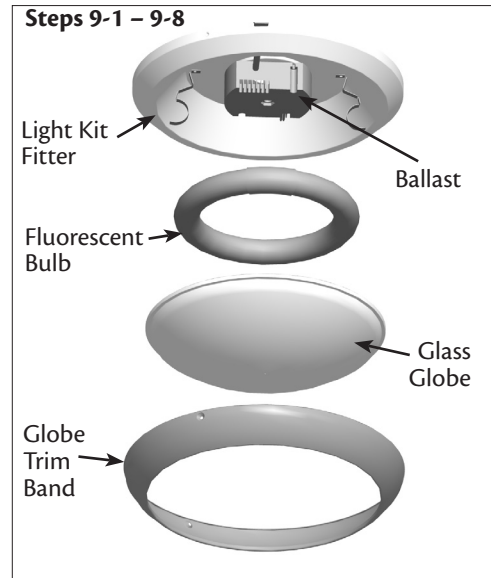


Mounting Screw

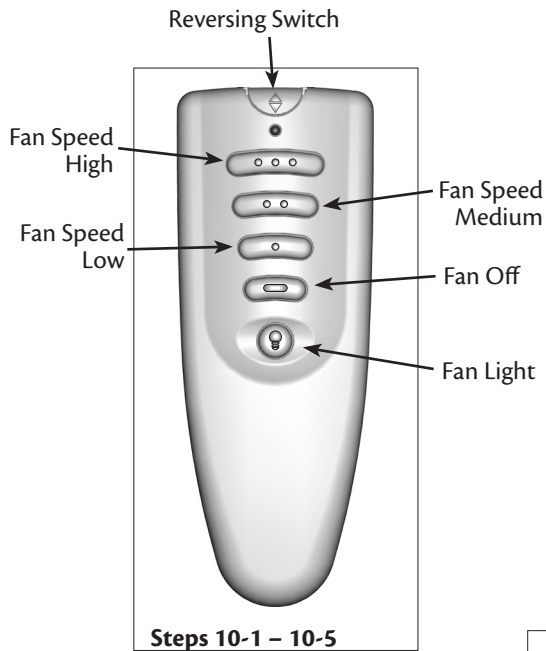
- 8-1. Holding the canopy, raise the fan off the hook.
- 8-2. Align the holes in the canopy with the mounting holes on the ceiling plate.
- 8-3. Insert and tighten the mounting screws securely.

9 • Completing Your Installation

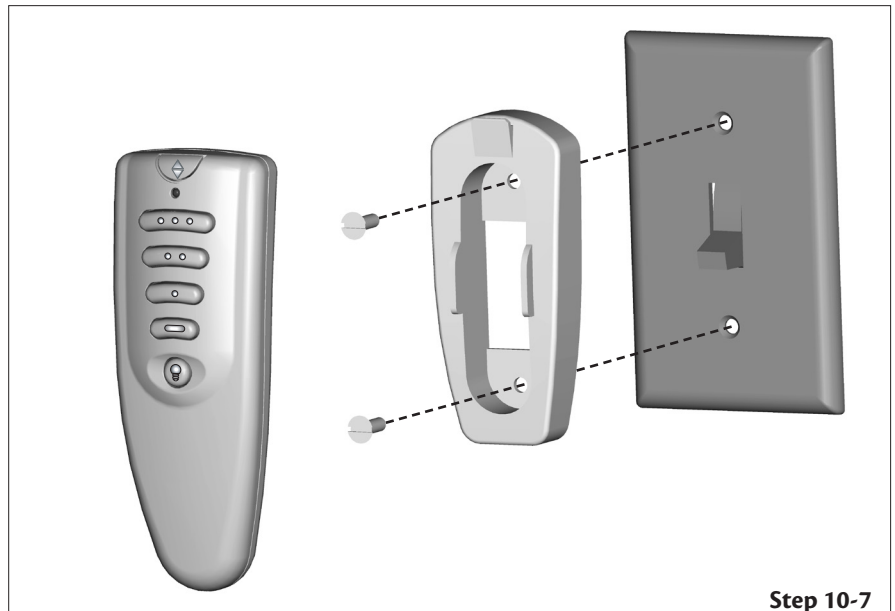
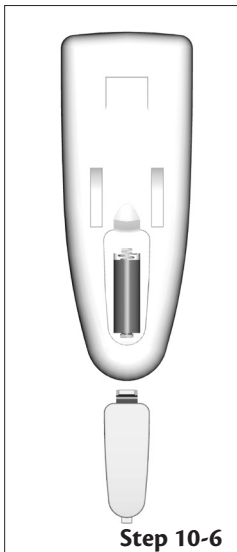
- 9-1. Partially install two light kit fitter screws into the light kit mounting plate.
- 9-2. Thread the plug connector from the fan through the light kit fitter.
- 9-3. Align the keyholes in the light kit fitter with the two partially installed screws and rotate to engage the screws in the narrow ends of the keyholes.
- 9-4. Install the remaining screw to secure the light kit fitter to the light kit mounting plate. Securely tighten all three screws.
- 9-5. Connect the 2-pin plug connector from the fan to the 2-pin plug connector from the ballast.
- 9-6. Attach the ballast to the light kit fitter with two ballast screws.
- 9-7. Install the included 22 Watt fluorescent bulb into the hooks on the fitter.
- 9-8. Connect the 4 pin plug from the ballast to the fluorescent bulb.
- 9-9. Place the glass globe into the globe trim band. Align the three holes in the trim band with the three holes in the fitter. Install and securely tighten all three screws.



10 • Operating the Remote Control and Mounting the Holder



- 10-1. The remote transmitter has individual buttons for turning the fan off and on and controlling the light and fan speed.
- 10-2. For best operation, start the fan by pressing high, then select your desired speed.
- 10-3. The reversing switch reverses the direction of the fan.
- 10-4. Press the OFF button to turn the fan off.
- 10-5. The light button turns the light on to full brightness. Push the light button again to turn off the light.
- 10-6. You can mount the remote holder to any toggle switch plate with the screws already in the switch plate. Or, you can simply mount the remote holder on the wall.
- 10-7. This product includes one 12-volt type 23A, MN-21 battery for use with the remote control transmitter. Please contact your local battery recycling center for proper battery disposal information.



11 • Operating and Cleaning Your Ceiling Fan

11-1. Restore power at the main electrical panel and turn on the wall switch. The light kit should turn ON.

Note: To turn on the light without the remote, turn off the wall switch for 5 seconds, then back on. The light kit will turn on at maximum brightness.

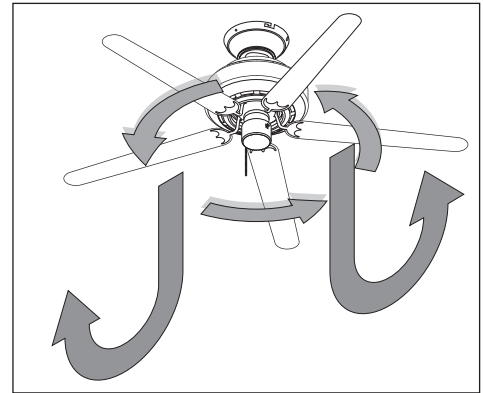
11-2. Press the remote control's HIGH speed button. The fan should start and reach its maximum speed.

Note: For everyday operation, leave the wall switch ON. If the remote control will not be used for 5 days or more, turn the wall switch OFF.

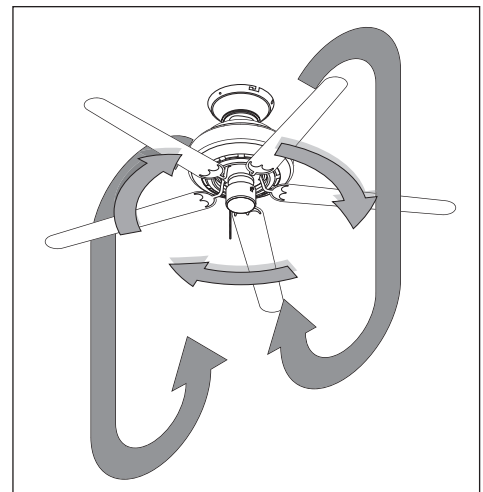
11-3. Ceiling fans work best by blowing air downward (counterclockwise blade rotation) in warm weather to cool the room with a direct breeze. In cold weather, having the fan draw air upward (clockwise blade rotation) will distribute the warmer air trapped at the ceiling around the room without causing a draft.

11-4. For cleaning finishes, use a soft brush or lint-free cloth to prevent scratching. A vacuum cleaner brush nozzle can remove heavier dust. Remove surface smudges or accumulated dirt and dust using a mild detergent and a slightly dampened cloth. You may use an artistic agent, but never abrasive cleaning agents as they will damage the finish.

11-5. Clean wood finish blades with a furniture polishing cloth. Occasionally, apply a light coat of furniture polish for added protection and beauty. Clean painted and high-gloss blades in the same manner as the fan finish.



In warm weather, use downward air flow pattern



In cold weather, use upward air flow pattern

12 • Troubleshooting

Problem: Nothing happens; fan does not move.

1. Turn power on, replace fuse, or reset breaker.
2. Loosen canopy, check all connections according to the wiring the fan section.
3. Check the plug connection in the switch housing.

Problem: Noisy operation.

1. Tighten the blade screws until snug.
2. Check to see if the blade is cracked. If so, replace all the blades.
3. Be sure that the glass is secure.

Problem: Excessive wobbling.

1. If your fan wobbles when operating, use the enclosed balancing kit and instructions to balance the fan.
2. Tighten all blade and/or blade iron screws.
3. Turn power off, support fan very carefully, and check that the hanger ball is properly seated.

If you need parts or service assistance, please call 888-830-1326 or visit us at our Web site at <http://www.hunterfan.com>.

Hunter Fan Company
2500 Frisco Avenue
Memphis, Tennessee 38114