

Bellavista 6042 Whirlpool



Product Codes beginning with: BEL6042WCR

Also applies to products sold under part numbers: EE10, JG15, JG20, JG25, JG30, JG35, JG40, JG45

TECHNICAL SPECIFICATIONS

	English	Metric
Outer Dimensions	59 3/4" L x 41 3/4" W x 26" H	1518 mm L x 1060 mm W x 660 mm H
Interior Dimensions (bottom of bath) L x W (Mid) x W (End)	39" L x 24" W x 24" W	991 mm L x 610 mm W x 610 mm W
Drain/Pump Configuration	Center drain/Right end pump	Center drain/Right end pump
Bath Weight (empty)	141 lbs	64 kg
Total Weight/Floor Loading	1,041 lbs 60.1 lbs/ft ²	473 kg 293 kg/m ²
Operating Gallonage (min-max)	63 (min) 78 (max) U.S. Gals	238.5 (min) 295 (max) L
Electrical Specifications	Each component requires a separate, dedicated GCFI protected circuit	
Motor/Pump	120V 20A 60HZ	
Heater	120V 15A 60HZ	

FEATURES, UPGRADES & ACCESSORIES

Material Type: High-Gloss Acrylic

Install Type: Drop-in

Available Colors: White (W), Almond (A), Oyster (Y), Black (B)

Cut-out Template: P187000

Standard (Included) Features:

10 jets, In-line Heater,

Chromatherapy lighting

Available Control Systems:

J4 Luxury Control Panel (standard)

J5 Luxury LCD Control Panel

Available Upgrades:

Whisper Quiet Technology,

Illumatherapy Lighting

Available Accessories:

DA34 Rotary Drain Kit PVC (specify metal finish)

HP55 Rotary Drain Kit (specify metal finish)

D095 TheraPro Jet Trim Kit (specify metal finish)

P556 AccuPro Jet Trim Kit (specify metal finish)

G864 Hand Rails (specify metal finish)

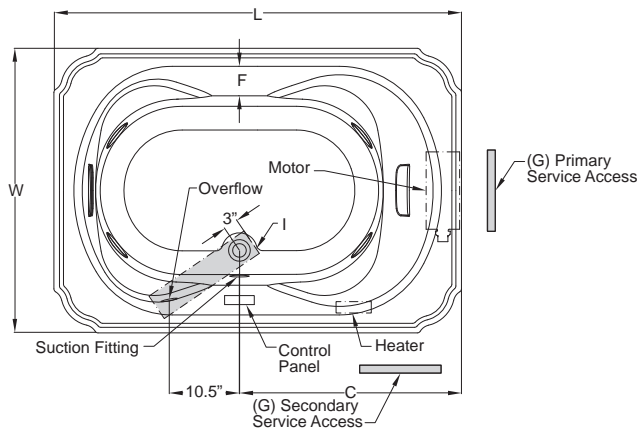
827: Chrome, 826: Brushed Nickel, 845: Oil Rubbed Bronze

*Note: D095 (Chrome) is standard on Illumatherapy jets.

C263 Curved Pillow (specify color) 959: White, 958: Almond, 969: Oyster

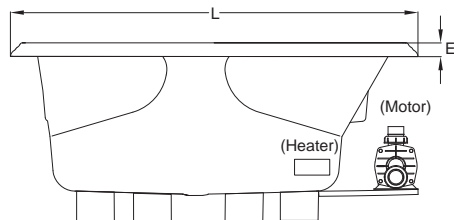
GQ88 Light Chromatherapy Add-on Kit

KEY DIMENSIONS

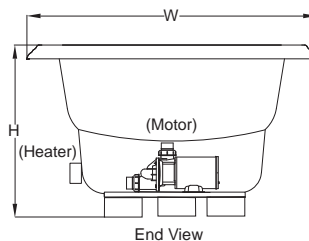


*Deck width reflects only area indicated on detail.

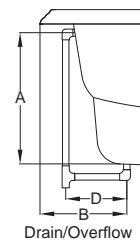
Letter	Description	English	Metric
L	Outer Length	59 3/4"	1518 mm
W	Outer Width	41 3/4"	1060 mm
H	Overall Height	26"	660 mm
A	Overflow Height	20"	508 mm
B	Long Edge to Drain Center	11 3/4"	298 mm
C	Short Edge to Drain Center	32 1/2"	826 mm
D	Drain Shoe Length	6"	152 mm
E	Deck Height	2"	51 mm
F	Deck Width*	3"	76 mm
G	Service Access Dimensions	12" H x 18" L	305 mm x 457 mm
I	Floor Cut-out for Drain	17" x 4"	432 mm x 102 mm



Side View
NOTE: Graphics May Not be to Scale



End View



Drain/Overflow

© 2010 Jacuzzi Luxury Bath • For additional information call Customer Service 800-288-4002 • www.jacuzzi.com/technicalspecs

Refer to installation instructions included with fixture before beginning installation. Please confirm product availability and specifications before commencing with any installation work.

PRODUCT SPECIFICATIONS AND AVAILABILITY ARE SUBJECT TO CHANGE WITHOUT NOTICE.

HC61000 REL 02/10