



ADDENDUM

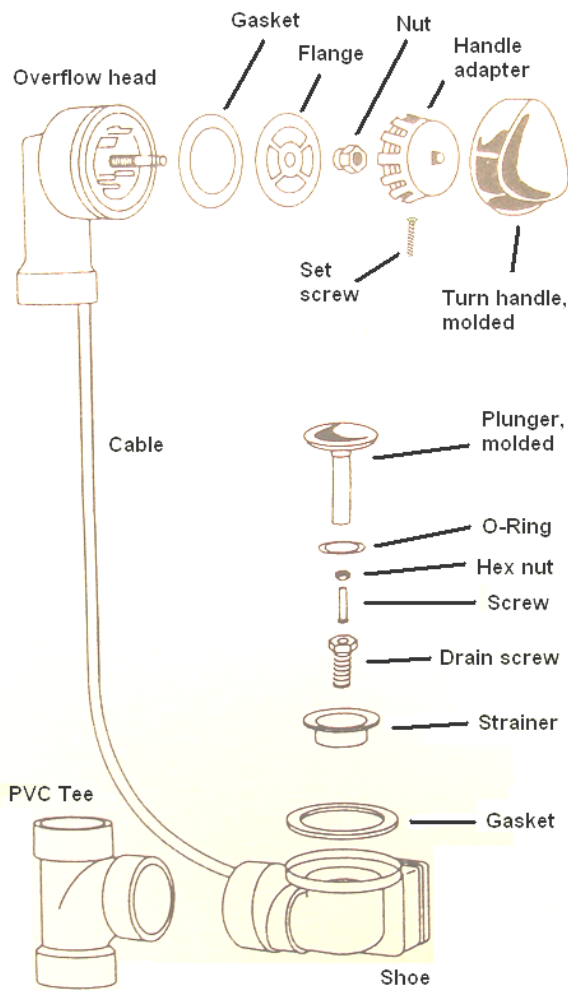
Drain/Overflow Assembly, DA34

INSTALLATION INSTRUCTIONS

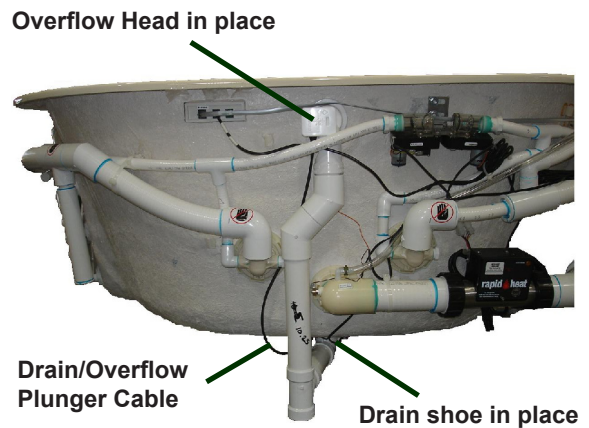
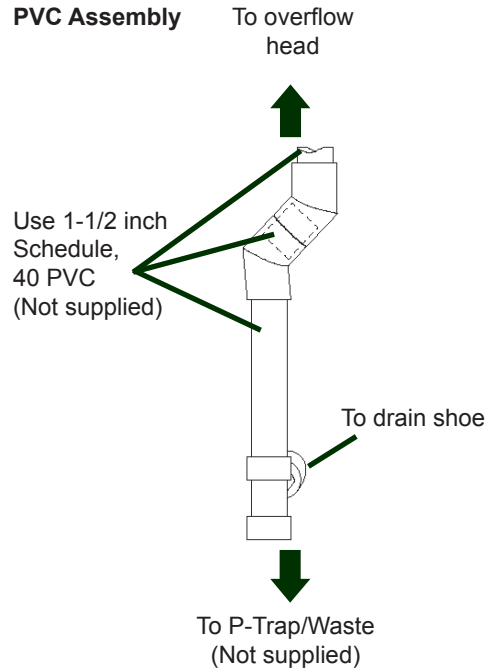
The following instructions will show how to install the drain/overflow assembly DA34.

The DA34 is a drain/overflow assembly for units that require an offset to the plumbing connections from the overflow head to drain shoe.

Glue all PVC fittings and PVC pipe with PVC to PVC cement.



Components for Assembly DA34



Duetta Unit Shown