



**ESPREE™ BATHTUB  
SERIES**

**INSTALLATION AND OPERATION INSTRUCTIONS**

**Jacuzzi® Luxury Bath**

14525 Monte Vista Avenue  
Chino, CA 91710  
1-800-288-4002  
[www.jacuzzi.com](http://www.jacuzzi.com)

**Contents**

Contents ..... 2

Product Information ..... 2

Safety Instructions ..... 3

Operational Safety Instructions ..... 5

Introduction ..... 7

Inspection and Testing ..... 8

Framing and Support ..... 9

Electrical Connections ..... 10

Drop-in Installation ..... 12

3-Wall Alcove Installation ..... 14

Skirt Installation ..... 14

Cleanup ..... 15

Operation ..... 15

Whirlpool Control ..... 16

Purging the Whirlpool System ..... 17

Bathtub Additives ..... 17

Maintenance ..... 17

Troubleshooting Procedures ..... 18

Technical Specifications ..... 19

Authorized Service ..... 24

Warranty ..... 25

**Product Information**



Save these instructions for future use. Use the form below to record your model and serial number for future reference.

Date Purchased \_\_\_\_\_

Purchased From \_\_\_\_\_

Installed By \_\_\_\_\_

Serial Number \_\_\_\_\_

Model \_\_\_\_\_


**Installer:** Leave the manual for the homeowner.

**Homeowner:** Read this manual and keep for future reference.

**Safety Instructions**


INSTRUCTIONS PERTAINING TO A RISK OF FIRE, ELECTRIC SHOCK, OR INJURY TO PERSONS.


This is a professional grade product. A knowledge of construction techniques, plumbing and electrical installation according to codes are required for proper installation and user satisfaction. We recommend that a licensed contractor perform the installation of all Jacuzzi® Luxury Bath products. Our warranty does not cover improper installation related problems.


 **CAUTION:** When using this unit, basic precautions should always be performed, including the following:

- **READ AND FOLLOW ALL INSTRUCTIONS. SAVE THESE INSTRUCTIONS.**











- Use this unit only for its intended use as described in this manual. Do not use attachments not recommended by the manufacturer.
- Never drop or insert any object into any opening.

 **WARNING: RISK OF ACCIDENTAL INJURY OR DROWNING!**  
Do not permit children to use this unit unless they are closely supervised at all times. Do not use hydromassage bathtubs unless all suction guards are installed to prevent body and hair entrapment. Never operate the hydromassage bath if the suction cover is broken, damaged or missing

 **DANGER: RISK OF SEVERE INJURY FROM ELECTRIC SHOCK OR DEATH FROM ELECTROCUTION!**  
This unit must be connected only to a supply circuit that is protected by a 15 amp ground fault circuit interrupter (GFCI). Such a GFCI should be provided by the installer and should be tested on a routine basis. To test the GFCI, push the test button. The GFCI should interrupt power. Push the reset button. Power should be restored. If the GFCI fails to operate in this manner, the GFCI is defective. If the GFCI interrupts power to the bathtub without the test button being pushed, a ground current is flowing, indicating a possibility of an electric shock. Do not use this hydromassage bathtub. Disconnect the hydromassage bathtub and have the problem corrected by a qualified service representative before using.

 **WARNING: RISK OF ELECTRIC SHOCK!**  
Do not permit electrical appliances (such as a hair dryer, lamp, telephone, radio or television) within 60" (1524mm) of this hydromassage bathtub. Connect only to a circuit protected by a ground fault circuit interrupter (GFCI). (For permanently connected units) A green colored terminal (or a wire connector) marked "G," "GR," "GROUND," or "GROUNDING" is provided within the terminal compartment. To reduce the risk of electric shock, connect the terminal or connector to the grounding terminal of your electric service or supply panel with a conductor equivalent in size to the circuit conductors supplying the equipment.

**Safety Instructions (Cont)**

-  **WARNING:** Do not operate this unit without the guard over the intake for the circulation pump (suction cover/strainer).
-  **CAUTION:** This equipment is intended for indoor use only. Install the equipment in accordance with these instructions. Use supply wires that are suitable for 167°F (75°C), including the temperature rating of the supply conductors to be used. This unit should be electrically grounded and installed by a licensed contractor, electrician, and plumber. Building materials and wiring should be routed away from the motor/pump or blower or other heat producing components of this unit. A pressure wire connector is provided on the exterior of the motor/pump and heater to permit connection of an No. 8 AWG solid copper bonding conductor between this unit and all other electric equipment and exposed metal in the vicinity, as needed to comply with local requirements.
-  **When using this electrical equipment, basic safety precautions should always be followed, including the following:**
-  **WARNING:** RISK OF ACCIDENTAL INJURY OR DROWNING! CHILDREN SHOULD NOT USE HYDROMASSAGE BATHTUB WITHOUT ADULT SUPERVISION.
-  **WARNING:** RISK OF ACCIDENTAL INJURY OR DROWNING! DO NOT USE HYDROMASSAGE BATHTUB UNLESS ALL SUCTION GUARDS ARE INSTALLED TO PREVENT BODY AND HAIR ENTRAPMENT.
-  **WARNING:** TO AVOID INJURY, EXERCISE CARE WHEN ENTERING OR EXITING THE HYDROMASSAGE BATHTUB.
-  **WARNING:** RISK OF ACCIDENTAL INJURY OR DROWNING! DO NOT USE DRUGS OR ALCOHOL BEFORE OR DURING THE USE OF A HYDROMASSAGE BATHTUB EQUIPPED WITH A HEATER TO AVOID UNCONSCIOUSNESS AND POSSIBLE DROWNING.
-  **WARNING:** RISK OF FETAL INJURY! PREGNANT OR POSSIBLY PREGNANT WOMEN SHOULD CONSULT A PHYSICIAN BEFORE USING A HYDROMASSAGE BATHTUB EQUIPPED WITH A HEATER.
-  **WARNING:** RISK OF HYPERTHERMIA AND POSSIBLE DROWNING: DO NOT USE A HYDROMASSAGE BATHTUB EQUIPPED WITH A HEATER IMMEDIATELY FOLLOWING STRENUOUS EXERCISE.
-  **SAVE THESE INSTRUCTIONS .**

**Operational Safety Instructions****WARNING:****RISK OF HYPERTHERMIA AND POSSIBLE DROWNING!**

Do not use a hydromassage bathtub equipped with a heater immediately following strenuous exercise.

**WARNING:****RISK OF ELECTRICAL SHOCK!**

- Do not operate hydromassage system unless the bath is filled with water to at least 1-2" (25-51 mm) above the highest jet.
- Do not immerse the control panel by overfilling the bath.
- When cleaning your bath, do not use abrasive substances which will damage the bath's surface.
- To prevent discoloration of the acrylic finish, do not fill the bath with water in excess of 140°F (60°C).

**WARNING:****PROLONGED IMMERSION IN HOT WATER MAY INDUCE HYPERTHERMIA!**

Hyperthermia occurs when the internal temperature of the body reaches a level several degrees above the normal body temperature of 98.6°F (37°C). The symptoms of hyperthermia include an increase in the internal temperature of the body, dizziness, lethargy, drowsiness and fainting. The effects of hyperthermia include:

- A. Failure to perceive heat.
- B. Failure to recognize the need to exit the bath.
- C. Unawareness of impending hazard.
- D. Fetal damage in pregnant women.
- E. Physical inability to exit the bath.
- F. Unconsciousness resulting in danger of drowning.










**WARNING:****RISK OF FETAL INJURY!**

Pregnant or possibly pregnant women should consult a physician before using a hydromassage bathtub equipped with a heater.

**WARNING:**

Keep body and hair a minimum of 6" (152mm) away from the suction fitting at all times when the hydromassage system is in operation. Hair longer than shoulder length should be secured close to the head.

**Operational Safety Instructions (cont)**

-  **WARNING:** The use of alcohol, drugs or medication can greatly increase the risk of fatal hyperthermia. People using medications or having an adverse medical history should consult a physician before using a hydromassage bathtub equipped with a heater.
-  **WARNING:** Do not tamper with user-operated controls or such devices.
-  **WARNING:** Use this unit only for its intended use as described in this manual. Do not use attachments not recommended by the manufacturers.
-  **WARNING:** To avoid injury, exercise caution when entering or exiting the hydromassage bathtub.
-  **WARNING:** Do not use hydromassage bathtub unless all suction guards are installed to prevent body and hair entrapment. Never operate the hydromassage bath if the suction cover is broken, damaged or missing.
-  **WARNING:** Water temperature in excess of 104°F (40°C) may be injurious to your health. Check and adjust water temperature before use.
-  **CAUTION:** Test the ground fault circuit interrupter protecting this appliance periodically in accordance with manufacturer's instructions.
-  **IMPORTANT:** Read the complete instructions provided in this manual before beginning installation.
-  **IMPORTANT:** For optimal operation, the water level must remain at 1" to 2" (25mm to 50mm) above the highest jet; do not use oil-based bathtub additives in your hydromassage bathtub.

The Company has obtained applicable code (standards) listings generally available on a national basis for products of this type. It is the responsibility of the installer/owner to determine specific local code compliance prior to installation of the product. The Company makes no representation or warranty regarding, and will not be responsible for any code compliance. Product specifications are subject to change without notice.

## Introduction

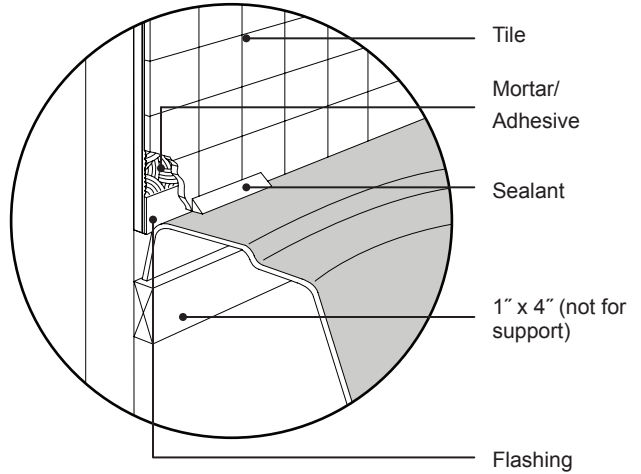
The drain/overflow of the bath extends below the bottom of the bath. Please refer to the “Technical Specifications” section for dimensions and rough-in information.

**The floor structure beneath the bath must be able to support a total weight of bath, water, and bather. Refer to the table under total weight for your model.**

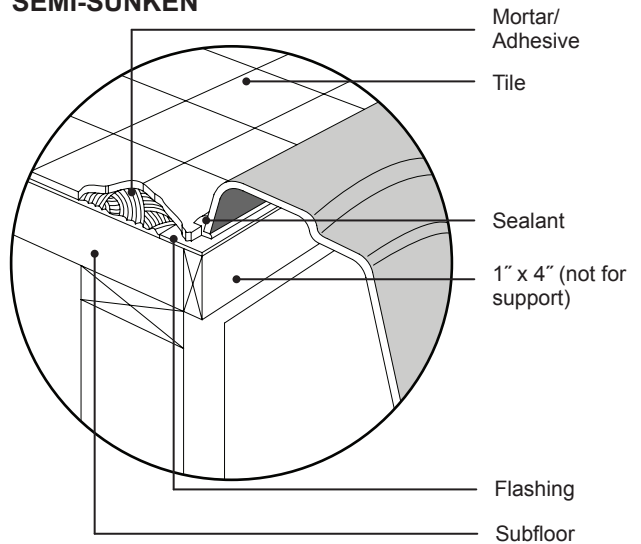
The unit must be supported from the bottom of the bath and **not** from the bath rim or tile flange. If the subfloor is level and a continuous surface, no other preparation is necessary. You can proceed to install the bath. If the subfloor is not level, you must level the entire surface prior to installing the bath. The use of materials that shim or provide a level installation are allowed provided the method used will insure a level bath that is supported from the bottom. Materials that may be used are a floor leveling compound, mortar, plaster or minimal expansion structural foam having a density of a minimum of 5 lbs./cubic ft.; however, the bath must remain level in order for it to drain properly and all foam feet must make full contact with the leveling material. Both sides of a joint or splice of subfloor should be level to each other. When attaching baths with flanges to stud wall, use shims to fill any gaps between the bath flange and studs.

The rim of the bath is not designed to support weight. If finish material is to overlap or contact the bath, the added weight must be fully self-supporting.

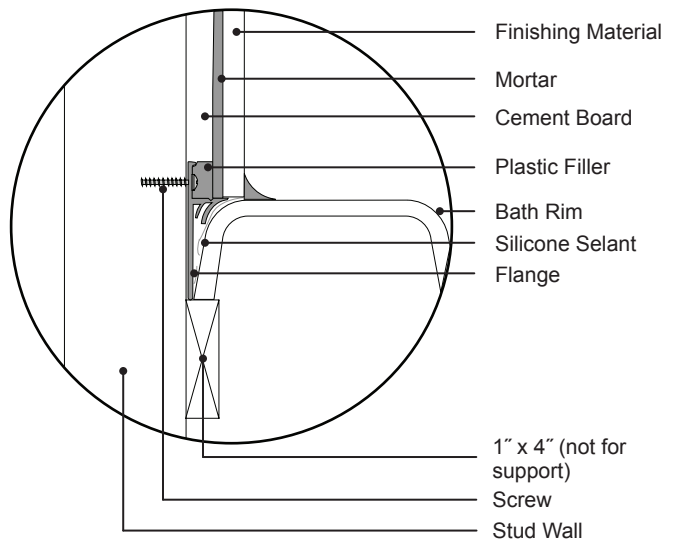
### FLUSH TO THE WALL



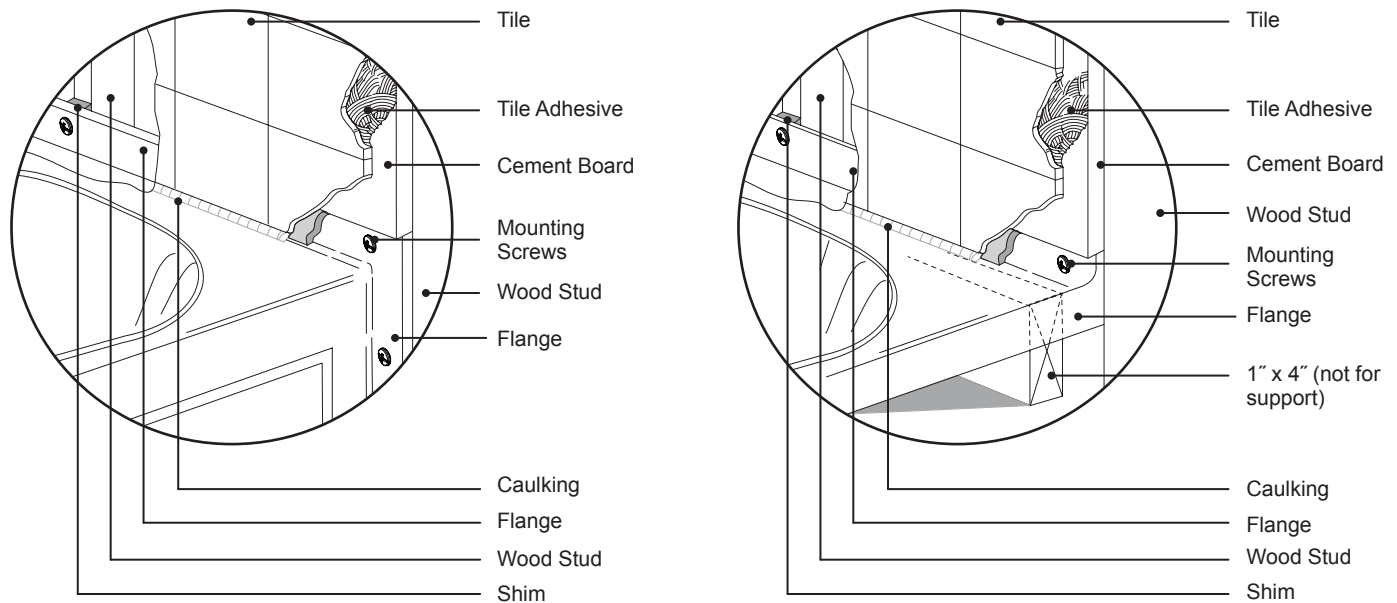
### SEMI-SUNKEN



### OPTIONAL TILE FLANGE KIT



## Typical Flange Mounting Detail



The shims may be used to tighten and secure any remaining gaps between the flange and the stud.

## Inspection and Testing

### Visual Inspection

- ❶ Remove the bathtub from the shipping carton. Be careful not to scratch the surface of the bathtub on exposed staples. Remove the staples or fold them into the carton. Retain the carton until satisfactory inspection of the product has been made. Do not lift the bathtub by the plumbing at any time; handle by the shell only.
- ❷ Inspect the shell and bathtub components. Should inspection reveal any damage or defect in the finish or visible damage to any components, do not install the bathtub. Damage or defect to the finish claimed after the bathtub is installed is excluded from the warranty. Jacuzzi Luxury Bath's responsibility for shipping damage ceases upon delivery of the products in good order to the carrier.
- ❸ Refer any claims for damage to the carrier. For definitions of warranty coverage and limitations, refer to the published warranty information packed with the product or in the back of this manual.

### Bathtub Water and Operational Test

All bathtub units are factory tested for proper operation and watertight connections prior to shipping. However, the unit must be retested by the installer prior to installation. Jacuzzi Luxury Bath is not responsible for any defect that could have been discovered, repaired, or avoided by following this inspection and testing procedure:

- ❶ Place the bathtub on a level surface, near appropriate electrical supply, water supply, and water drainage. A driveway is a suitable choice.
- ❷ Seal the drain and overflow hole with tape or a stopper and fill the bathtub to the bottom of the overflow hole.
- ❸ Allow bathtub to stand for 5 minutes.
- ❹ Plug in motor/pump and turn unit on. Confirm that all features function as described in the Operation section of this manual. Do not install the bathtub if bathtub fails to operate as described.
- ❺ Visually inspect all joints for leaks. Do not install the bathtub if leaks are detected.
- ❻ Return bathtub to box or otherwise protect from damage until time of installation.



## Framing and Support

A Technical Specifications section has been included with in this manual. The Technical Specifications section will contain pertinent information regarding your Jacuzzi Luxury Bath product.

Frame out the space where the bathtub is to be located. The following should be taken into consideration when preparing the area:

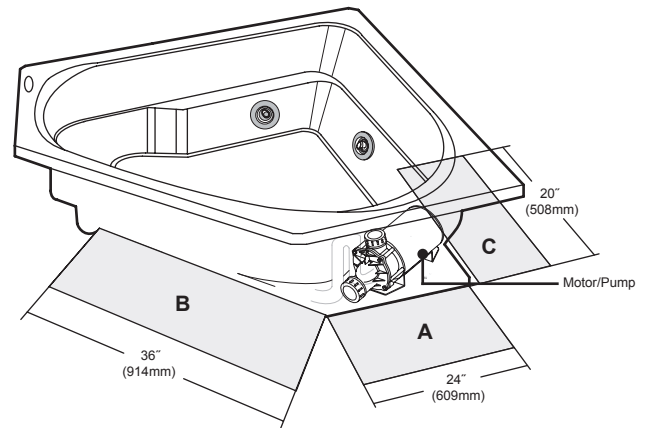
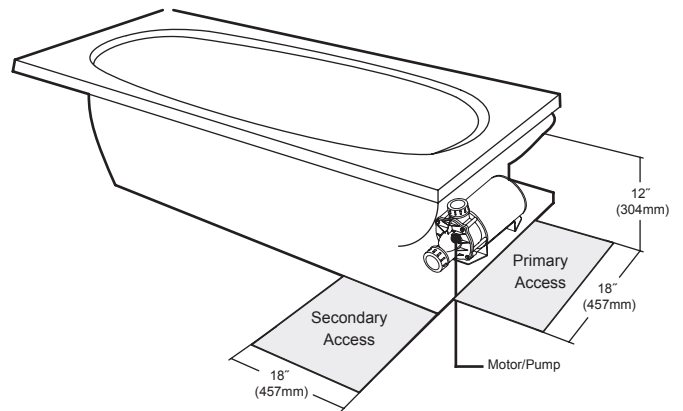
- Dimensions provided on rough-in diagrams are nominal. Measure your actual unit upon receipt and build according to the actual dimensions.
- The floor structure beneath the bathtub must be able to support the total weight of the bathtub, water and bather.
- The unit must be supported from the bottom of the bathtub and not from the bathtub rim. For drop-in installations, take into account the thickness of the surround material and finishing material (marble, tile, etc.).
- Ensure the rim will rest on a level surface.
- Per code, access must be provided to the motor/pump for your specific model. Primary and secondary service access locations are shown in the rough-in diagrams contained in the Technical Specifications Manual.



It is the responsibility of the installer, building contractor, or owner to provide access for service. Jacuzzi is not responsible for any costs relating to obtaining access for repair. The owner shall bear such costs and, if appropriate, must seek recovery from the installer.

- Provide adequate ventilation for cooling and supply sufficient air for the motor/pump. Do not insulate around the equipment.
- Your bathtub may have motor/pump parts that extend beyond the rim of the bathtub. Refer to the rough-in diagrams included in the warranty pack and construction framing to correctly accommodate.

### Common Access Locations



- A** = Primary access
- B** = Acceptable alternative if access **A** is not possible
- C** = Secondary access for equipment (optional)






Left hand unit access is on the opposite side (mirror).

## Subfloor

Prepare the subfloor for the drain and ensure that the area is level.

- 1 The drain/overflow of the bathtub extends below the bottom of the bathtub. Identify the drawing in the Technical Specifications Manual that corresponds with your bathtub.
- 2 Make appropriate cuts to the subfloor to accommodate the drain.
- 3 Jacuzzi's Tru-Level™ base is a standard feature on all bathtubs. If the subfloor is level and a continuous surface, no other preparation is necessary. Proceed to the "Installation" section.
- 4 If the subfloor is not level, you must level the entire surface prior to installing the bathtub. The materials used will insure that the bathtub is supported from the bottom. These materials include: leveling compound, mortar, plaster or minimal expansion structural foam (having a density of a minimum 5lbs/cubic foot). The bathtub must remain level in order for it to drain properly and must make contact with the leveling material. Both sides of a joint or splice of subfloor should be level to each other.

## Electrical Connections



-  Risk of electric shock. Connect only to a circuit protected by a GFCI.
-  When using electrical products, basic precautions should always be followed:
  - Always follow local building and electrical codes.
  - Grounding is required. The unit should be installed and grounded by a qualified electrician.
-  A heater comes standard on all Espree™ corner bath models.

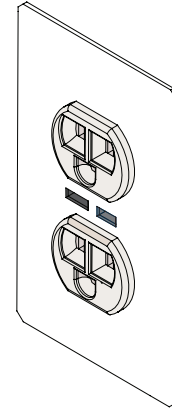
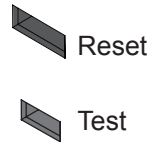
Two separate GFCI protected circuits are required.

A separate, 120VAC, 15 Amp GFCI circuit is required for the pump/motor.



If installing the optional heater, a separate and dedicated 120VAC, 15AMP, GFCI protected circuit is required.

If you are installing the optional heater, please refer to the provided installation and operation manual that comes packaged with the heater.

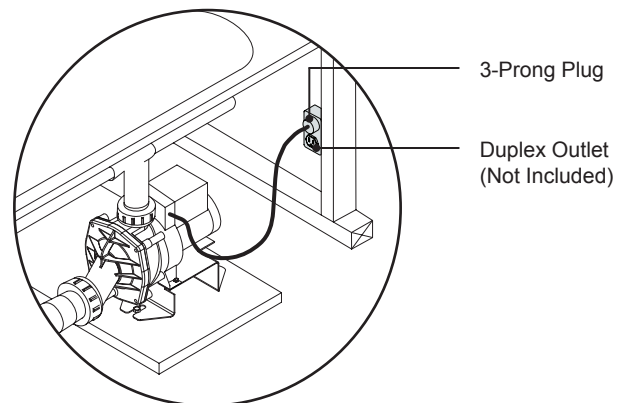
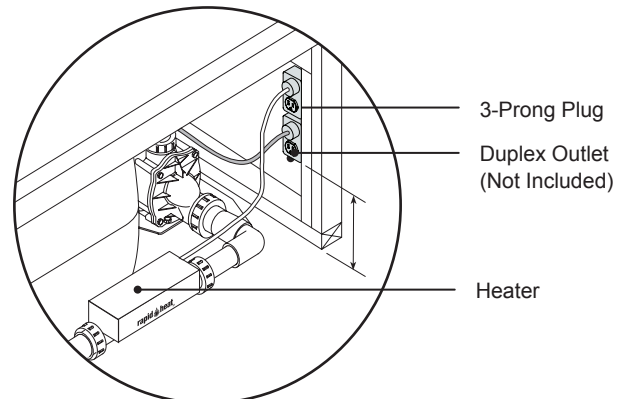
-  Risk of component overheat. Do not use electric extension cord to power this unit.
-  Operating the motor/pump without enough water in the bathtub can cause leaking and permanent damage.





## Pump/Motor

- 1** For the pump/motor, install a 120 VAC, 15AMP, GFCI duplex outlet to the stud wall underneath the bathtub at 4" (101mm) above the floor. The duplex outlet is not supplied.
  -  The duplex outlet must be mounted 4" (101mm) above the floor line, or in accordance with local building and electrical codes.
  -  On the corner bathtubs, or 6060 bathtubs, a duplex junction box has been provided. To access, remove skirt access panel. See top views in Rough-In section for location.

A separate GFCI protected outlet (not provided) is required for pump/motor and is to be installed in the junction box. The junction box is to be hard wired. The motor is grounded to the junction box at the factory.
- 2** Using a #8 solid copper wire, ground the pump motor to the house electrical panel, or approved local ground. A grounding lug is provided on the pump motor.
- 3** At initial start-up, and before each use thereafter with power ON, push the GFCI test button. The reset button should pop out.



-  Push this button in to reset. If the interrupter fails to operate in this manner, there is a ground current flowing or a device malfunction, indicating the possibility of electrical shock.
-  Turn OFF power and do not use the bathtub until the source of the problem has been identified and corrected.

### Electrical Connection 6060 w/Heater

On the 6060 with integral skirt, one junction box has been provided for the pump/motor. The motor is bonded to the junction box at the factory. To access, remove skirt access panel.

A separate 120 VAVAC, 15 AMP dedicated circuit with GFCI protected outlet (commercially available) is required for heater and is to be installed in a junction box. The junction box is to be hard wired.

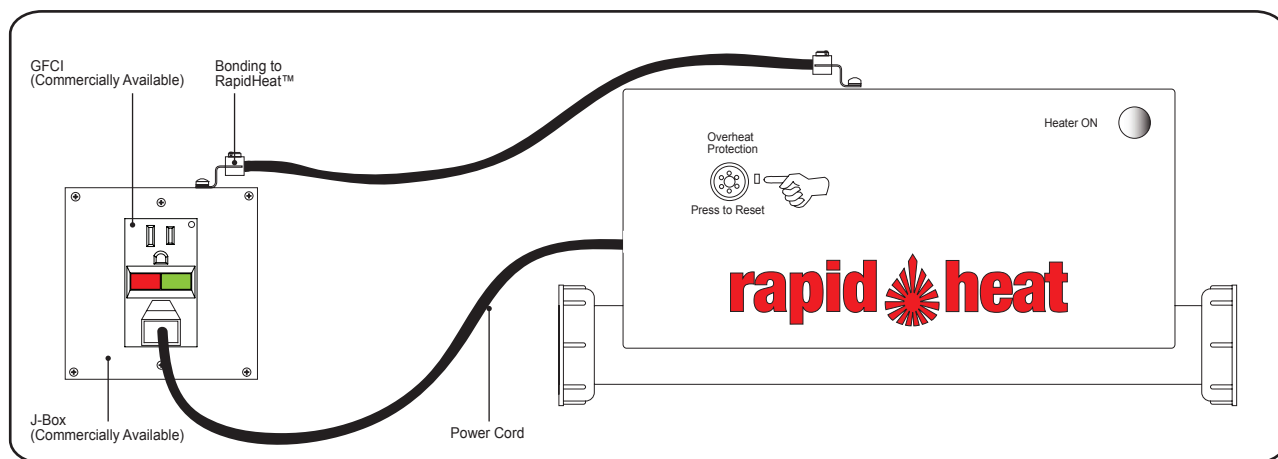
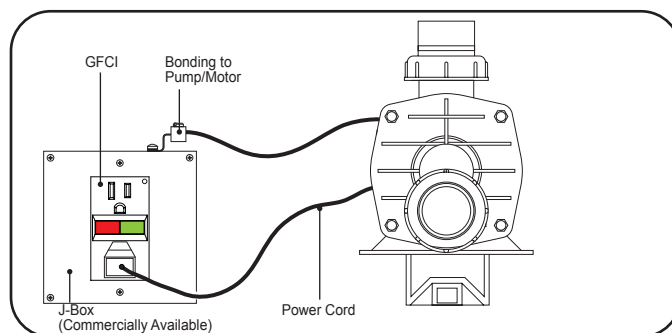
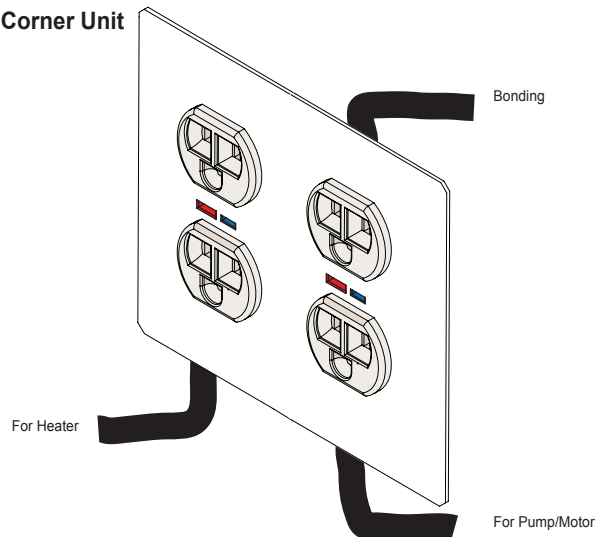
Follow the bonding instructions below:

- 1 With a #8 solid copper wire, bond the heater to the house electrical panel or approved local bond. A bonding lug is provided on the heater.

#### Initial Start-Up

- 1 Push the GFCI test button. The reset button should pop out.
- 2 Push this button in to reset. If the interrupter fails to operate in this manner, there is a ground current flowing or a device malfunction, indicating the possibility of electrical shock.
- 3 Turn off power and do not use the bath until the source of the problem has been identified and corrected.

6060 Corner Unit



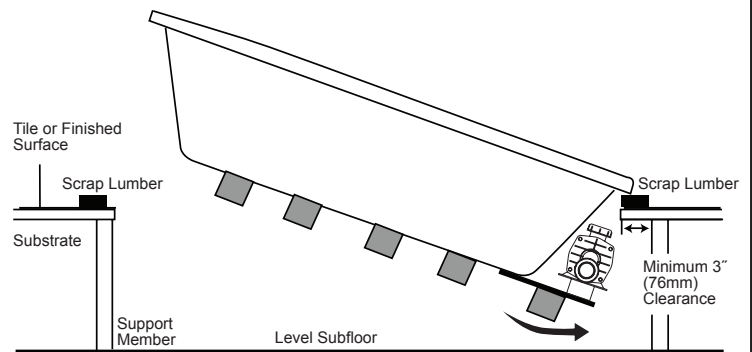
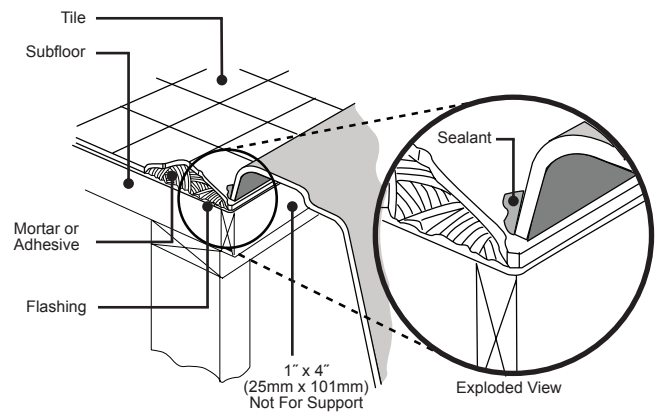
## Drop-in Installation

**⚠** Before you begin your installation, please read the following:

- Observe all local and building codes.
- Determine which tools will be used during the installation.
- Additional bathtub drain parts and plumbing are commercially available at plumbing and hardware stores.
- Drain/Overflow rough-in information is included with your bathtub in the installation instruction manual.

Complete the bathtub surround installation.

- 1 Install drain/overflow according to the manufacturer's instructions. Refer also to the Technical Specifications section.
- 2 Watertight installation of the drain is the installer's responsibility. Drain leakage is excluded from the Jacuzzi Luxury Bath warranty of this product.
- 3 Install the faucet at this time. It is recommended that the faucet be installed by a qualified plumber.
- 4 Proper installation of the spout plumbing and compliance with local codes are the responsibility of the installer. Jacuzzi Luxury Bath does not warrant connections of water supply fittings and piping, fill systems, or drain/overflow systems. Nor is it responsible for damage to the bathtub which may occur during installation.
- 5 A non-flammable protective barrier must be placed between the soldering work and the bathtub unit to prevent damage to the bathtub.
- 6 Prepare the cut-out hole for the bathtub using the cutout dimensions listed in the specifications table in the Technical Specifications section.
- 7 Complete all deck finish work and cover to protect from damaging while placing the bathtub.
- 8 Insulation may be placed within the bathtub surround.
- 9 Provide adequate ventilation around the motor/pump to ensure sufficient airflow and cooling.
- 5 Turn off power supply to dedicated GFCI protected circuits.
- 6 Place a piece of scrap lumber on each of the ends of the cutout – this will be used as a temporary support prior to lowering the bathtub fully into the opening.

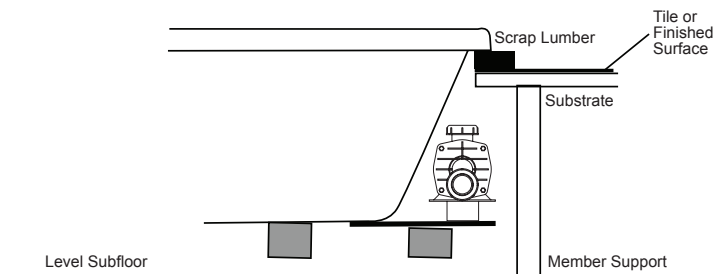


### Drop-in Installation (con't)

**7** Install the unit, inserting the motor/pump end first, lowering the bathtub into the opening as shown in the illustration.



**DO NOT** use plumbing fixtures or lines to lower the unit. Allow the bathtub to rest on the supports.



Inspect all fittings, plumbing, and control lines after inserting to insure the components are not damaged, disconnected, or contacting the finish surface substrate or support members.

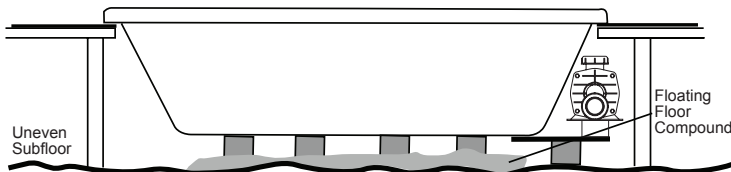
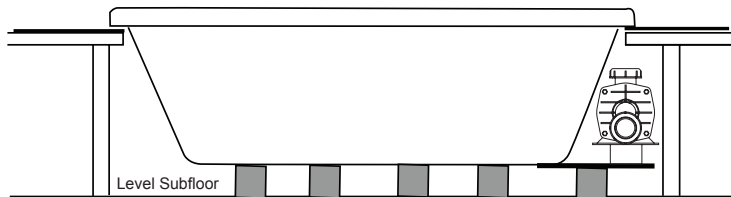
**8** Connect flex water supply lines to faucet and plug power cords into GFCI outlets.

**9** Remove scrap lumber and lower the bathtub fully into the opening and align the bathtub and connect the drain.

**10** Turn on the power supply to the dedicated GFCI protected circuits and check system operation.

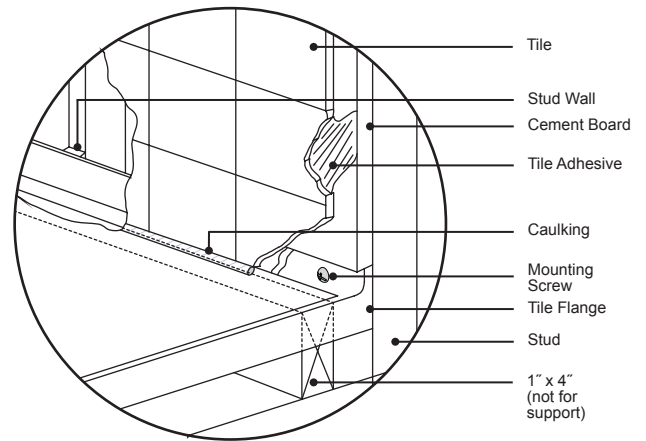
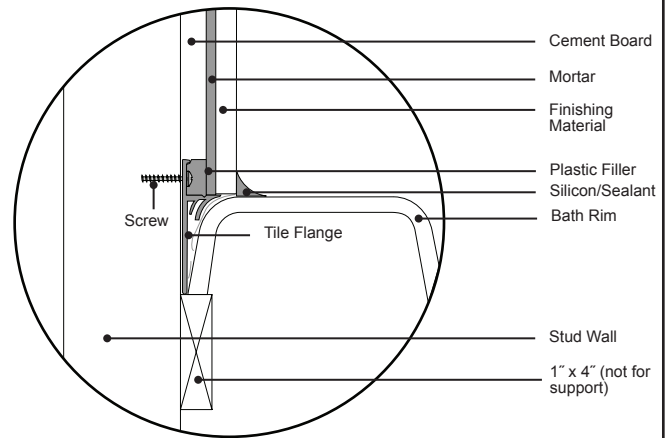


Caulk around the perimeter of bathtub to seal the space between the rim and the finished deck.



### 3-Wall Alcove Installation

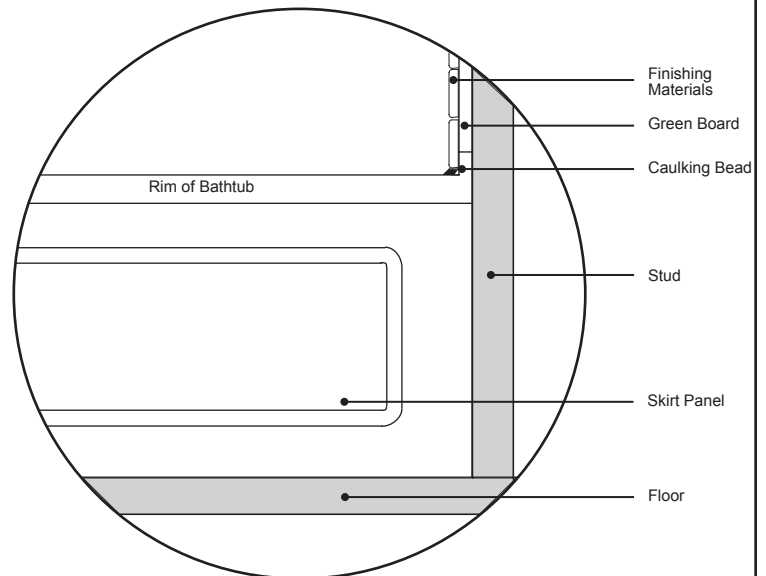
- 1 Install the drain/overflow according to the manufacturer's instructions. Refer also to the Technical Specifications section.
  - ⚠️ Watertight installation of the drain is the installer's responsibility. Drain leakage is excluded from the Jacuzzi Luxury Bath warranty of this product.
  - 2 Install the faucet at this time. It is recommended that the faucet be installed by a qualified plumber.
  - 3 Install the flange (purchased separately) according to the instructions that are included with the kit. If the bathtub is equipped with an integrated flange, skip this step.
  - 4 Place the bathtub into the niche. Screw the flange to the wood stud. It may be necessary to shim the unit to close up any gaps between the wood stud and the flange.
  - 5 Insulation may be placed within the bathtub surround.
  - 6 Turn off the power supply to the GFCI protected circuit.
  - 7 Align the bathtub and connect the drain.
  - 8 Connect flex water supply lines to faucet and plug power cords into GFCI outlet.
  - 9 Inspect all fittings, plumbing, and control lines after inserting the bathtub to insure the components are not damaged, disconnected, or contacting the finish surface substrate or support members.
  - 10 Turn on the power supply to the dedicated GFCI protected circuits and check system operation.
- ⚠️ Complete all finish work around the perimeter of bathtub to seal the space between the rim and the finished deck.



### Skirt Installation

#### Bathtubs with an Integral Skirt

- 1 Screw skirt flanges into wall studs.
- ⚠️ It may be necessary to shim the unit to close any gaps between wall studs and the flanges.
- 2 Complete finish work over skirt flange.
- 3 Caulk around the perimeter of the skirt to seal the space between the skirt and the finished deck.



### Cleanup


To avoid dulling and scratching the surface of the bathtub, never use abrasive cleaners. For most soiled surfaces, a mild liquid detergent and warm water is sufficient. The following is also recommended:

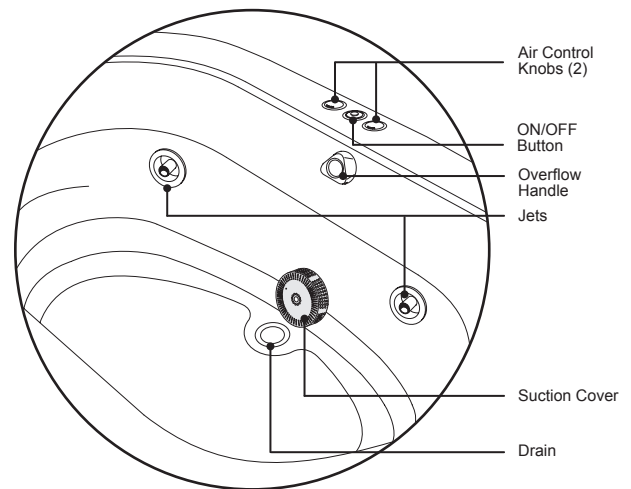
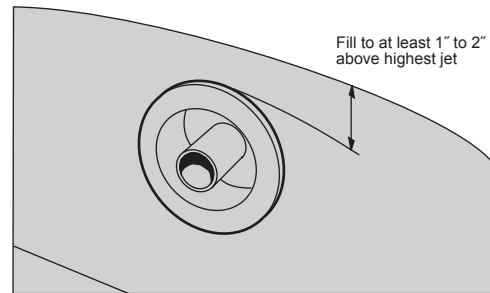
- Remove spilled plaster with a wood or plastic edge. Spots left by plaster or grout can be removed if lightly rubbed with detergent on a damp cloth or sponge. Do not use metal scrapers, wire brushes or other metal tools, as they will damage the bathtub's surface.
- Paint, tar, or other difficult stains can be removed with Fantastik® or soapy water.
- Minor scratches which do not penetrate the color finish can be removed by lightly sanding with 600-grit wet/dry sandpaper. You can restore the glossy finish to the acrylic surface of the bathtub with a special compound, Meguiar's #10 Mirror Glaze. If that is not available, use automotive rubbing compound followed by an application of automotive paste wax.
- Major scratches and gouges which penetrate the acrylic surface will require refinishing. Call Jacuzzi Luxury Bath to find a service agent in your area.

### Operation

All bathtubs manufactured by Jacuzzi Luxury Bath are designed for "fill and drain," which means the bathtub should be drained after each use and filled with fresh water by the next bather. This is a health precaution, as these bathtubs are not designed to hold water continuously like pools or spas.

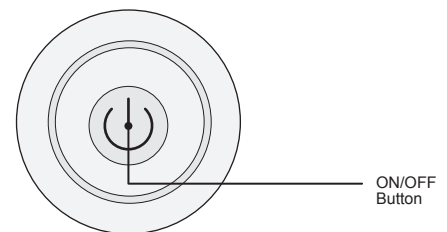
Close the drain and fill the bathtub until water is at least 1" to 2" (25mm to 51mm) above the highest jet (see water line indicated in the illustration). Do not turn on the whirlpool system at any time if the jets are not completely immersed in water. Running the whirlpool system when there is insufficient water in the bathtub could result in water spraying outside the bath area. Running the whirlpool system without water will damage the pump.

 When exiting the bathtub, the water level will drop below the jets which could result in water being sprayed out of the unit.




### ON/OFF Button

The ON/OFF button, conveniently located on the bath, allows you to turn the whirlpool system on and off while in the bath. Simply push down on the switch button to turn on the whirlpool system. To turn the system off, push down on the button again.



## Rapidheat™ Operation

 The Rapidheat™ heater comes standard with all 6060 corner bathtubs only. For all other Espree™ bathtub models, the heater is an optional feature.

Once the heater is installed and the whirlpool pump is operating, the heating function is totally automatic. The heater will help maintain the temperature of the water in the bath. The heater is designed to help maintain the temperature of the bath water once the water is added at the desired temperature level. It does not replace the need to have adequate hot water supply for the filling of the bath.

### Vacuum Switch

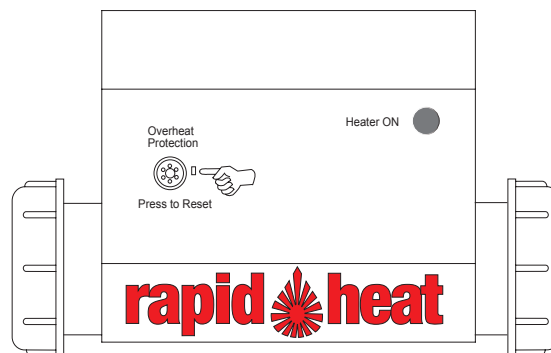
The heater is equipped with a preset vacuum switch which will not allow the heater to turn ON if the pump is not running with water flowing through the whirlpool system.

### High-Limit Switch

The heater includes an exclusive High-Limit switch. This safety circuit will not false trip from hot tap water. It will only turn off the heater, if the thermostat fails. To reset, press the button.

### Heater On Indicator

The light will be illuminated any time the heater is operating.



## Whirlpool Control


The whirlpool action in your bath is influenced by three factors – direction of flow, force of water, and force of air. All baths manufactured by Jacuzzi Whirlpool Bath are equipped with fully adjustable TheraPro® jets, which are adjustable for all three factors. Some baths have additional directionally adjustable jets which can be adjusted for direction and flow of air only.

### Direction

To change the direction of the water flow, swivel the jet nozzle to the desired angle. The jets can be directed individually toward any location on your body to provide a hydromassage. The jets can also be adjusted so that they all point in the same direction (clockwise or counterclockwise) to circulate the water in a circular motion around the bath, causing a total whirlpool effect.

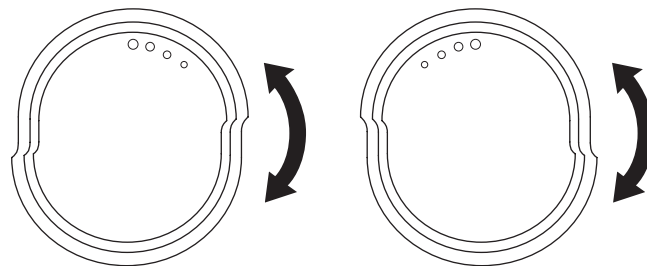
### Water Force

The high volume, fully adjustable jets can be adjusted to control the force of the water coming into the bath. For robust action, increase the force of the flow by rotating the jet handles to the left (counterclockwise). For a more gentle effect, rotate the handles to the right (clockwise).

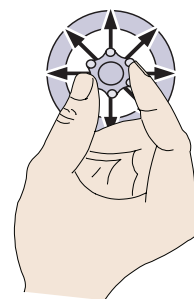
 Never run the whirlpool system with all the jets closed.

### Force of Air

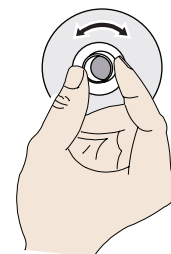
Two knobs located on the bath serve as controls for the air induction system. The intensity of the hydromassage whirlpool action is determined by the amount of air inducted into the water. As the amount of air is increased, the hydromassage action increases. For maximum air induction, rotate the control knobs fully counterclockwise to the largest circles. For fewer air bubbles, decrease the amount of air induction by rotating the control knob clockwise. When the knobs are turned to the smallest circles, only water is being circulated.



Air Induction Control Knobs



Large Adjustable Jets




Small Multidirectional Jets



### Purging the Whirlpool System

To remove accumulations of bathtub residue from the whirlpool system, it is recommended that a whirlpool bathtub be cleaned regularly. For best results, however, we recommend that you clean your whirlpool bathtub after each use using Systems Clean™, our exclusive two-part plumbing system cleaner made specifically for whirlpool bathtubs. Systems Clean™ is available through an authorized Jacuzzi Whirlpool Bath Distributor or by calling us direct at 1-800-288-4002.

### Bathtub Additives


 Do not use oil or oil-based bathtub additives.

If you want to use any kind of bathtub additive, use only a small amount of low-foaming powder or crystal substance; the whirlpool action intensifies the foaming properties of soaps.

The use of certain bathtub oils, bubble baths, and bathtub additives may increase the level of accumulations of bathtub residue in the whirlpool system and may cause false reading of the water level sensors. If excess accumulations persist, you should discontinue use of these products.

### Maintenance

To clean your bathtub, simply use a mild, nonabrasive liquid detergent solution. You can protect and restore the gloss to a dulled acrylic surface by applying Meguiar's #10 Mirror Glaze, a product specifically designed for use on acrylic finishes. If Meguiar's is not available, use a fine grade automotive rubbing compound followed by an application of automotive paste wax.

 Never use abrasive household cleaners on any Jacuzzi Luxury Bath product.


### Surface Repair


Minor scratches which do not penetrate the color finish can be removed by lightly sanding with 600-grit wet/dry sandpaper. Restore the gloss using Meguiar's Mirror Glaze or automotive paste wax. Major scratches and gouges which penetrate the acrylic surface will require refinishing. Call Jacuzzi Luxury Bath to find a service agent in your area.

### Suction Cover/Strainer Maintenance

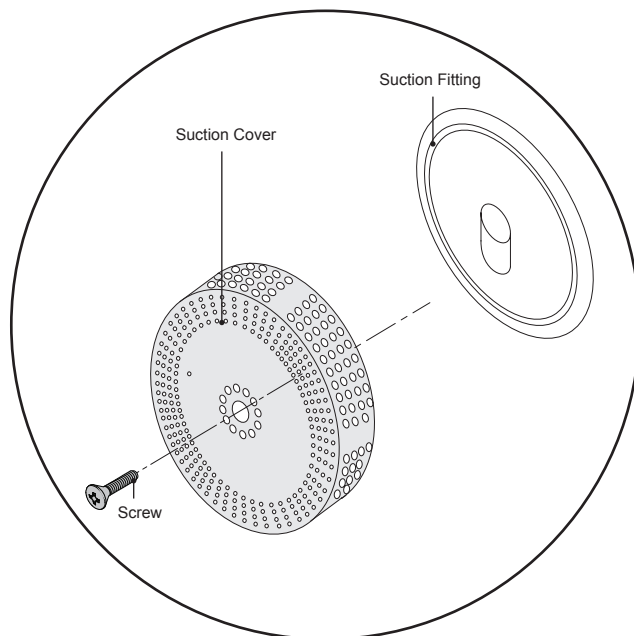
Clean the suction cover/strainer of hair and debris when necessary.

- 1 Remove the center screw and detach the suction cover.
- 2 Clean the cover by backflushing debris from the holes.
- 3 Replace the suction cover immediately after cleaning.

 Keep hair a minimum of 6 inches (152 mm) away from the suction fitting at all times when the whirlpool system is operating. Hair longer than shoulder length should be secured close to the head, or a bathing cap should be worn.

 Do not operate the whirlpool system with the suction cover/strainer broken, damaged or removed!

It is a safety device and must always be in place on the suction fitting to minimize the potential hazard of hair and body entrapment.



**Troubleshooting Procedures**

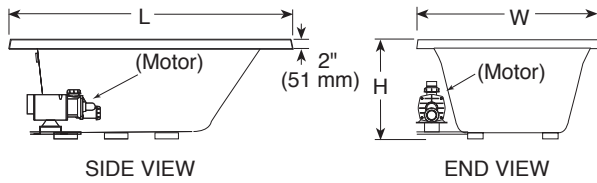
PROBLEM	PROBABLE CAUSES	REMEDY
Pump/motor does not start	No power to pump/motor Pump/motor not plugged in	Reset GFCI Insert plug securely into outlet Ensure that the tubing used to activate the pump/motor is tightly secured to the bottom of the ON/OFF control pad and to the AIR switch on back of the motor.
	Pump/motor faulty	Contact Jacuzzi Luxury Bath @ 800-288-4002
Pump/motor operates but not the multidirectional or adjustable jets	Jets are closed	Open jets by rotating counter-clockwise
	Suction cover/strainer may be clogged	With the motor turned OFF, remove the suction cover/strainer and remove any debris. Replace the suction cover before operating
Pump/motor operates but air is not injected into the water	Air valves are closed	Open air control valves
Water leakage from pump unions	Overtightened, O-ring may be pinched or improperly seated, undertightened	Loosen unions , check and reseal O-ring. If O-ring has been pinched out of shape, replace (refer to number below). When tightening union nuts, handtighten only.
Pump/motor shuts off by itself before time elapses	Motor thermal protection has deactivated pump/motor due to overheating (supply voltage low)	Let motor cool; thermal protection will reset. Check for proper ventilation (check supply voltage)
	GFCI tripped	Reset GFCI. If it continues to trip, do not use this unit. Disconnect the unit and have the problem corrected by a licensed electrician before using.
	Inadequate supply wiring	Consult a licensed electrician to correct the wiring unit.



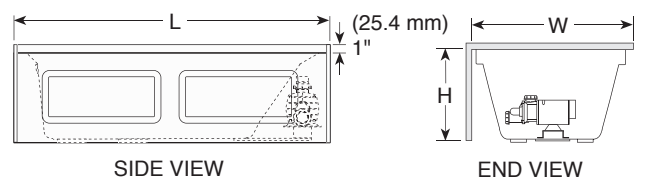
If the unit is within the warranty period, contact Jacuzzi Whirlpool Bath Service Support at 1-800-288-4002 with your bath's serial number before work is started. The serial number is located on the Specification/Serial Number Plate.

**Technical Specifications**

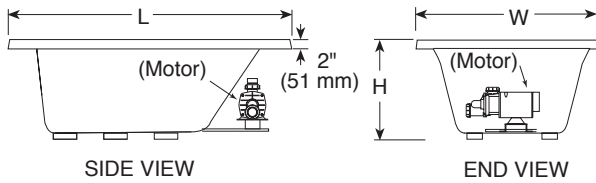
**Specifications - Rectangular  
(Right Hand and Left Hand)**



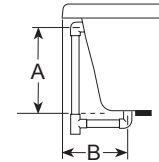
**BATHS WITHOUT INTEGRAL SKIRT, 6036, 6042, 7236, & 7242**



**BATHS WITH INTEGRAL SKIRT**



**BATHS WITHOUT INTEGRAL SKIRT, 542BM & 6032**



**DRAIN/OVERFLOW**

**SPECIFICATIONS (Rectangular) LH = Left Hand, RH = Right Hand**

MODEL	DIMENSIONS	DRAIN/OVERFLOW DIMENSIONS	CUTOUT	TOTAL WEIGHT/ FLOOR LOADING	AVERAGE OPERATING GALLONAGE	PRODUCT WEIGHT	SKIRT & MOUNTING	HEATER READY FOR FIELD INSTALLATION
<b>ESPREE 542** BACK MASSAGE LH</b>	60" (1524 mm) L 42" (1067 mm) W 20" (508 mm) H	16-7/8" (429 mm) A 11-1/2" (292 mm) B	58" x 40" (1473 mm x 1016 mm)	927 lb (421 kg)/ 54 lb/ft <sup>2</sup> (263 kg/m <sup>2</sup> )	60 Min U.S. gal (227 liters) 68 Max U.S. gal (257 liters)	110 lb (50 kg)	Available	DQ75000 HEATER KIT
<b>ESPREE 6032 LH</b>	60" (1524 mm) L 32" (813 mm) W 22" (559 mm) H	18-1/8" (459 mm) A 10-3/4" (273 mm) B	See Page 23	785 lb (357 kg)/ 59 lb/ft <sup>2</sup> (288 kg/m <sup>2</sup> )	50 Min U.S. gal (189 liters) 58 Max U.S. gal (220 liters)	102 lb (46 kg)	Not Available	DQ75000 HEATER KIT
<b>ESPREE 6032 WITH INTEGRAL SKIRT LH &amp; RH</b>	60" (1524 mm) L* 32" (813 mm) W 22" (559 mm) H	18-1/8" (459 mm) A 10-3/4" (260 mm) B	NA	785 lb (357 kg)/ 59 lb/ft <sup>2</sup> (288 kg/m <sup>2</sup> )	50 Min U.S. gal (189 liters) 58 Max U.S. gal (220 liters)	108 lb (49 kg)	Integral	DQ75000 HEATER KIT
<b>ESPREE 6036 LH</b>	60" (1524 mm) L 36" (914 mm) W 20" (508 mm) H	16-7/8" (429 mm) A 15-1/8" (392 mm) B	58" x 34" (1473 mm x 863 mm)	825 lb (375 kg)/ 55 lb/ft <sup>2</sup> (268 kg/m <sup>2</sup> )	50 Min U.S. gal (189 liters) 61 Max U.S. gal (231 liters)	117 lb (53 kg)	Not Available	DQ75000 HEATER KIT
<b>ESPREE 6042 LH</b>	60" (1524 mm) L 42" (1067 mm) W 20" (508 mm) H	16-7/8" (429 mm) A 11-1/4" (286 mm) B	58" x 40" (1473 mm x 1016 mm)	927 lb (421 kg)/ 54 lb/ft <sup>2</sup> (263 kg/m <sup>2</sup> )	60 Min U.S. gal (227 liters) 68 Max U.S. gal (257 liters)	110 lb (50 kg)	Available	DQ75000 HEATER KIT
<b>ESPREE 6042 WITH INTEGRAL SKIRT LH &amp; RH</b>	60" (1524 mm) L* 42" (1067 mm) W 20" (508 mm) H	16-7/8" (429 mm) A 10-3/16" (275 mm) B	NA	944 lb (429 kg)/ 55 lb/ft <sup>2</sup> (268 kg/m <sup>2</sup> )	60 Min U.S. gal (227 liters) 68 Max U.S. gal (257 liters)	127 lb (57 kg)	Integral	DQ75000 HEATER KIT
<b>ESPREE 7236 LH</b>	72" (1829 mm) L 36" (914 mm) W 20" (508 mm) H	16-7/8" (432 mm) A 15-3/4" (394 mm) B	70" X 34" (1778 mm x 863 mm)	978 lb (445 kg)/ 54 lb/ft <sup>2</sup> (263 kg/m <sup>2</sup> )	64 Min U.S. gal (242 liters) 73 Max U.S. gal (276 liters)	120 lb (55 kg)	Not Available	DQ75000 HEATER KIT
<b>ESPREE 7242 LH</b>	72" (1829 mm) L 42" (1067 mm) W 20" (508 mm) H	16-7/8" (432 mm) A 15-5/8" (394 mm) B	70" X 40" (1778 mm x 1016 mm)	1112 lb (505 kg)/ 53 lb/ft <sup>2</sup> (258 kg/m <sup>2</sup> )	74 Min U.S. gal (280 liters) 89 Max U.S. gal (336 liters)	120 lb (55 kg)	Not Available	DQ75000 HEATER KIT

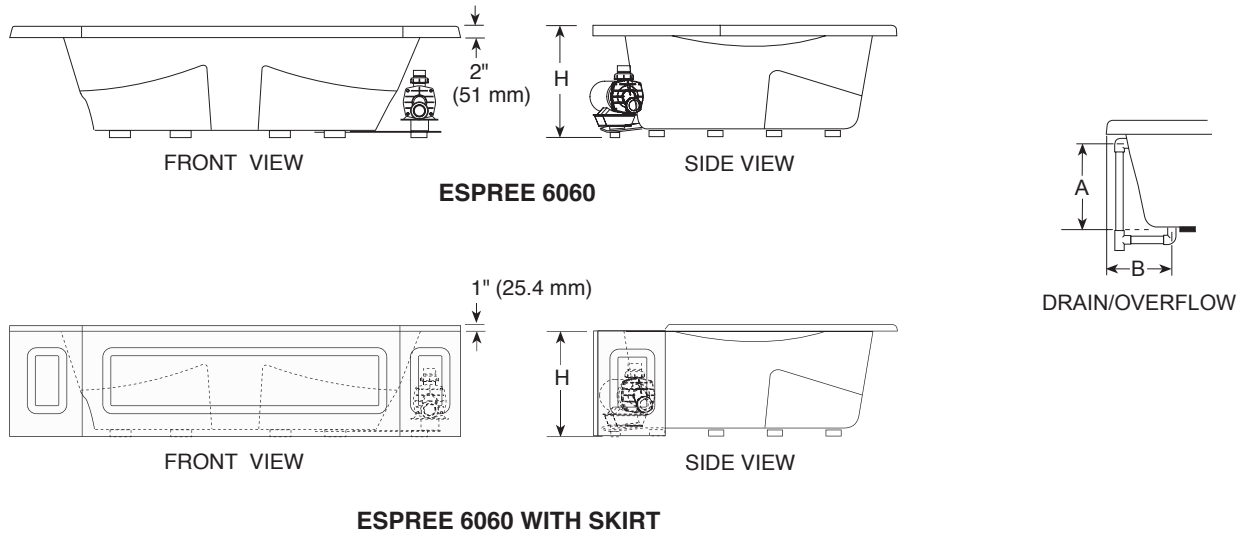
\*Add 1/4" (6 mm) to this dimension when roughing-in for 3-wall niche.



The overall dimensions are nominal with a tolerance of +0 and -1/4" (6mm).

**FOR ALL UNITS:** Electrical Service Requirements: All require a dedicated GFCI protected separate circuit.  
(Optional) RapidHeat™: 120 VAC, 15 AMP, 60 Hz. dedicated GFCI protected separate circuit.  
Motor/Pump: 120 VAC, 15 AMP, 60 Hz. dedicated GFCI protected separate circuit.

\*\*120 VAC, 20 AMP, 60 Hz. \*120 VAC, 20 AMP, 60 Hz.

**Specifications - Corner  
(Right Hand and Left Hand)**

**SPECIFICATIONS (Corner) LH = Left Hand, RH = Right Hand**

MODEL	DIMENSIONS	DRAIN/OVERFLOW DIMENSIONS	CUTOUT	TOTAL WEIGHT/ FLOOR LOADING	OPERATING GALLONAGE	PRODUCT WEIGHT	SKIRT & MOUNTING	HEATER READY FOR FIELD INSTALLATION
ESPREE 6060 LH & RH	60" (1524 mm) L 60" (1524 mm) L 22" (559 mm) H	18-½" (470 mm) A 12-¼" (311 mm) B	See Page 23	971 lb (441 kg)/ 38.8 lb/ft² (189 kg/m²)	68 Min U.S. gal (257 liters) 89 Max U.S. gal (336 liters)	122 lb (55 kg)	Not Available	Factory Installed (S750000 HEATER KIT)
ESPREE 6060 WITH INTEGRAL SKIRT RH	60" (1524 mm) L 60" (1524 mm) L 22" (559 mm) H	18-½" (470 mm) A 12-¼" (311 mm) B	See Page 23	1264 lb (575 kg)/ 50 lb/ft² (244 kg/m²)	68 Min U.S. gal (257 liters) 89 Max U.S. gal (336 liters)	122 lb (55 kg)	Integral	Factory Installed (U395000 HEATER KIT)

\*Add ¼" (6 mm) to this dimension when roughing-in for 3-wall niche.



**The overall dimensions are nominal with a tolerance of +0 and -¼" (6mm).**

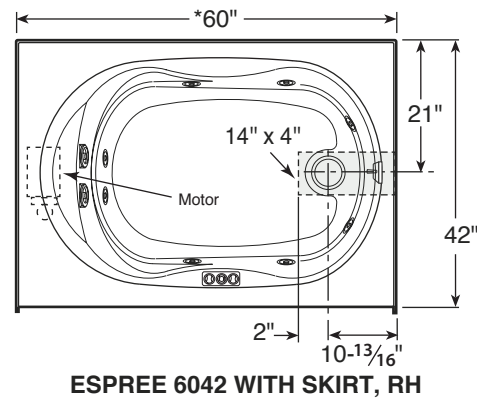
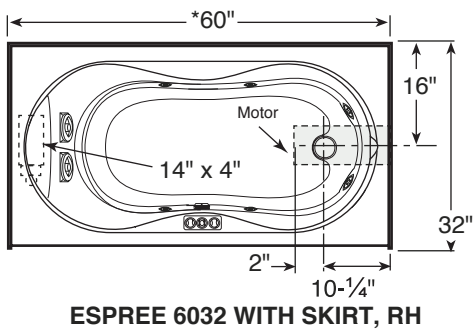
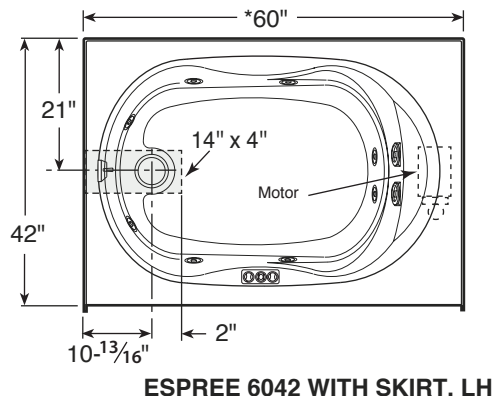
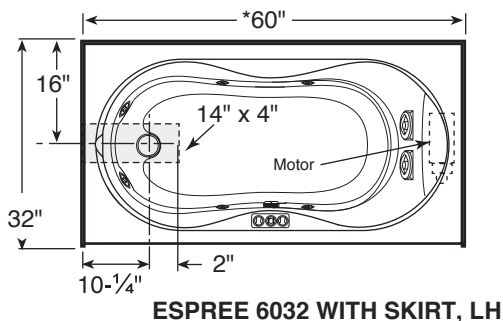
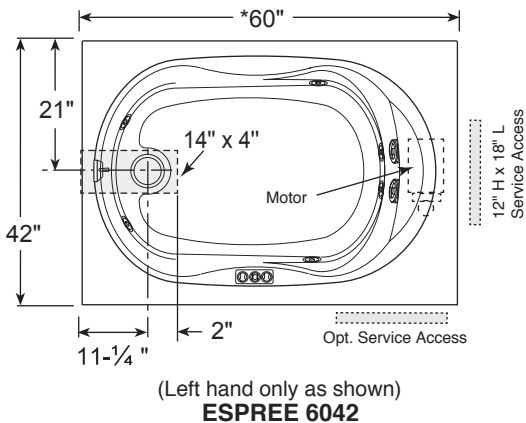
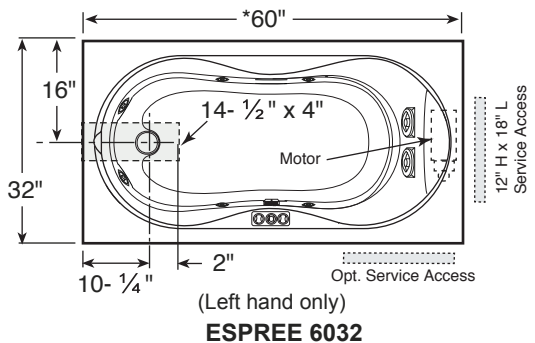
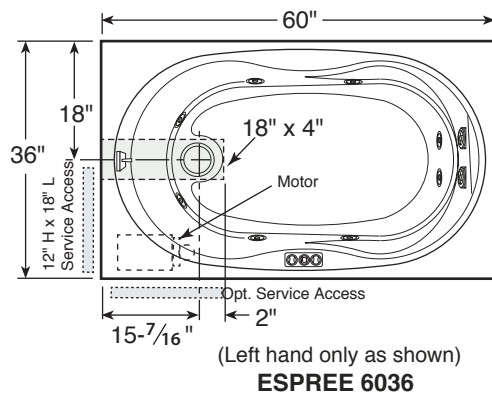
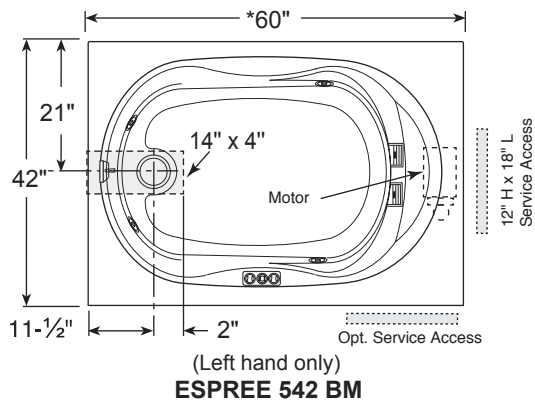
**FOR ALL UNITS:** Electrical Service Requirements: All require a dedicated GFCI protected separate circuit.

(Optional) RapidHeat™: 120 VAC, 15 AMP, 60 Hz. dedicated GFCI protected separate circuit.

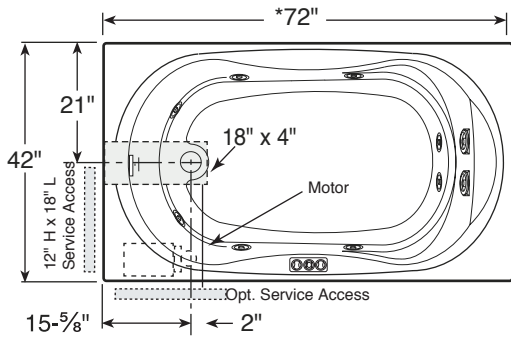
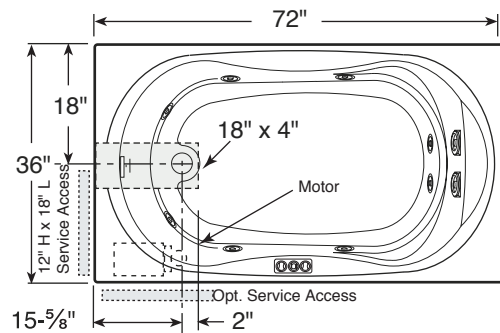
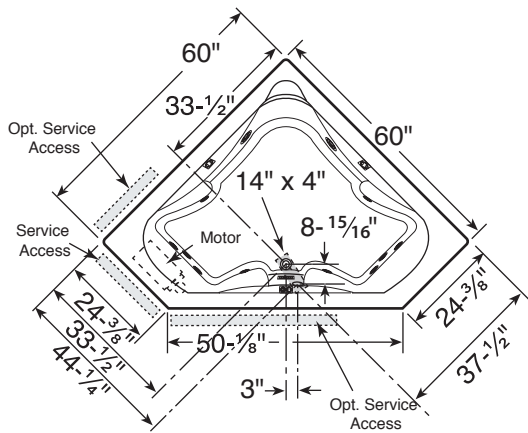
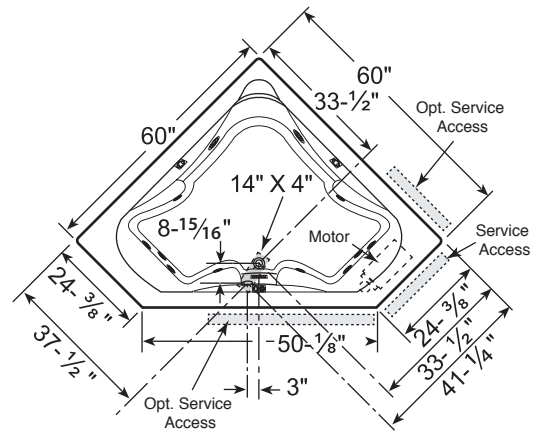
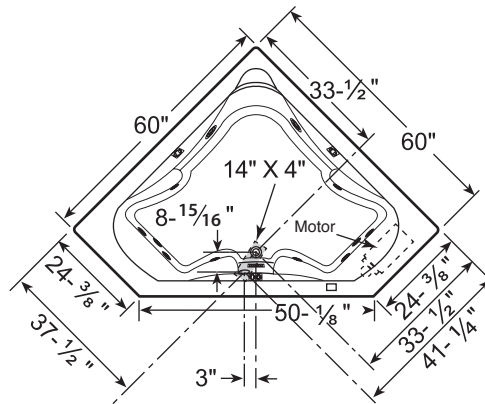
Motor/Pump: 120 VAC, 15 AMP, 60 Hz. dedicated GFCI protected separate circuit.

\*\*120 VAC, 20 AMP, 60 Hz. \*120 VAC, 20 AMP, 60 Hz.

### Roughing-In Reference



\* The overall dimensions are nominal with a tolerance of +0 and -1/4" (6mm).  
**FOR ALL UNITS:** Electrical Service Requirements: All require a dedicated GFCI protected separate circuit.  
 (Optional) RapidHeat™: 115 VAC, 15 AMP, 60 Hz. dedicated GFCI protected separate circuit.  
 Motor/Pump: 115 VAC, 15 Amp, 60 Hz. dedicated GFCI protected separate circuit.

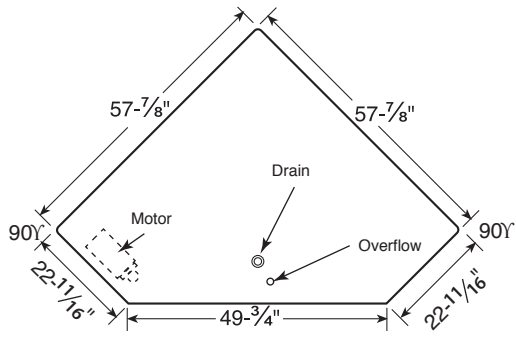
**Roughing-In Reference**

 (Left hand only as shown)  
**ESPREE 7242**

 (Left hand only as shown)  
**ESPREE 7236**

**ESPREE 6060 WITHOUT SKIRT, LH**

**ESPREE 6060 WITHOUT SKIRT, RH**

 □ Junction Box  
 (Right hand only as shown)  
**ESPREE 6060 WITH INTEGRAL SKIRT**


The overall dimensions are nominal with a tolerance of +0 and -1/4" (6mm).

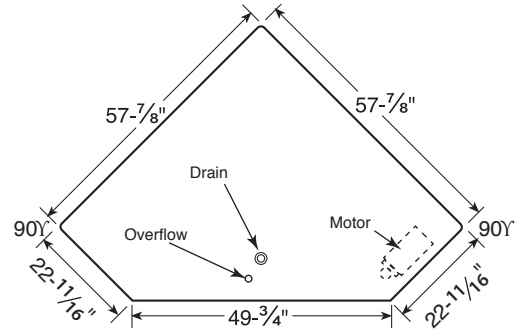
**FOR ALL UNITS:** Electrical Service Requirements: All require a dedicated GFCI protected separate circuit.  
 (Optional) RapidHeat™: 115 VAC, 15 AMP, 60 Hz. dedicated GFCI protected separate circuit.  
 Motor/Pump: 115 VAC, 15 Amp, 60 Hz. dedicated GFCI protected separate circuit.

**Cut Outs**

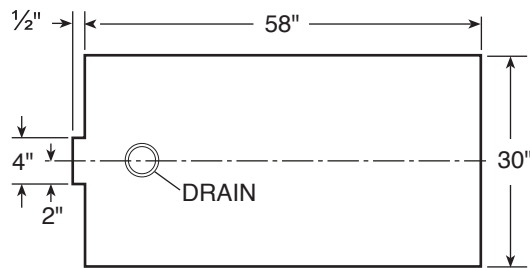
English



**ESPREE 6060 WITHOUT SKIRT,  
LEFT HAND**



**ESPREE 6060 WITHOUT SKIRT,  
RIGHT HAND**



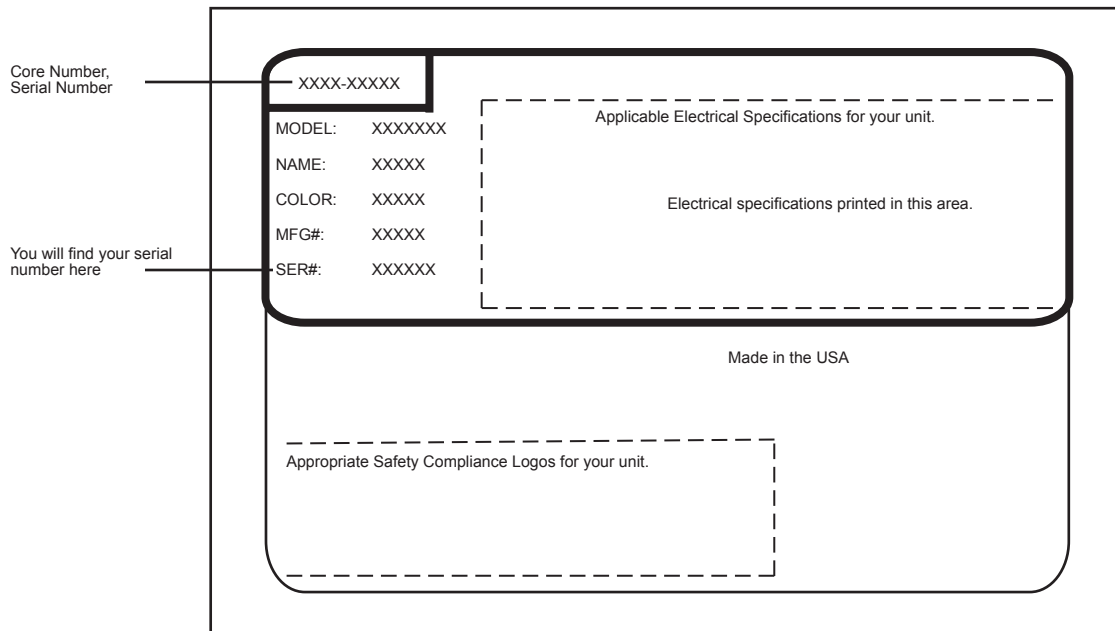
**ESPREE 6032 DROP-IN CUTOUT**

## Authorized Service

If you need a referral for a service company near you, or need assistance with operation or maintenance-related questions, please call our Service Support Department at 1-800-288-4002. Visit our web site at <http://www.jacuzzi.com/> for products, services, and an online copy of these Installation and Operation Instructions.

When requesting service or technical assistance please have available both the model and serial number of your unit. This information can be obtained from the product registration card provided with your unit. If the card has been misplaced, this information can be obtained from the specification/serial number label on the unit itself. The label is located on the wall of the bathtub near the pump/motor.

## SPECIFICATION/SERIAL NUMBER LABEL



PRODUCT SPECIFICATIONS ARE SUBJECT TO CHANGE WITHOUT NOTICE.

USE TECHNICAL SPECIFICATIONS MANUAL SUPPLIED WITH PRODUCT.

Jacuzzi® Luxury Bath has obtained applicable code (standards) listings generally available on a national basis for products of this type. It is the responsibility of the installer/owner to determine specific local code compliance prior to installation of the product.

Jacuzzi® Luxury Bath makes no representation or warranty regarding, and will not be responsible for any code compliance.

Jacuzzi® Luxury Bath  
 14525 Monte Vista Avenue  
 Chino, California, 91710  
 1-800-288-4002  
[www.jacuzzi.com](http://www.jacuzzi.com)



## Limited Lifetime Warranty on Jacuzzi Branded Baths for the Espree Collection

### WARRANTY COVERAGE

Jacuzzi Whirlpool Bath (the "Company") offers the following expressed limited lifetime warranty to the original purchaser of any Jacuzzi® Whirlpool Bath products provided in the Company's Espree™ collection who purchases the Bath for personal or single family residential use ("user"): The Company will repair or replace, at its sole option, the Bath or its equipment in accordance with the following terms and conditions.

### LIFETIME WARRANTY ON BATHS

The Company extends to the user of the Bath a non-transferable limited lifetime warranty that the shell will maintain its structural integrity and configuration and be free of water loss due to a defect in the tub shell. This warranty covers only the tub shell and the manufacturer installed pump, jets, controls, and blower against defects in material or workmanship. This warranty does not apply to any display models or to any options or accessories which are covered under our limited ninety (90) day warranty set forth below. Warranty coverage begins on the date the unit was originally purchased by the user and upon receipt by the Company of a completely filled out Warranty Registration Card as described below.

### 1 YEAR LABOR WARRANTY FOR ALL FACTORY INSTALLED COMPONENTS:

Our limited labor warranty is for a period of One (1) Year from the date the unit was originally purchased by the user, but not more than Two (2) Years from date of manufacture. All factory installed components (e.g., pump, motor, blower, and plumbing) are covered under our labor warranty against failure due to defects in materials and workmanship.

### 1 YEAR (PARTS ONLY) LIMITED WARRANTY ON OPTIONAL HEATER

Our limited warranty on our optional Heater is for One (1) Year for parts only and excludes labor. Warranty coverage begins on the date the heater was purchased as an option for use on Espree baths only.

### 90 DAY (PARTS ONLY) LIMITED WARRANTY ON OTHER OPTIONS AND ACCESSORIES

Our warranty covers options and accessories manufactured for the company but not installed by the factory (e.g., fill spout kits, trim kits, skirts, pillows, etc.) against defects in material or workmanship. Warranty coverage begins on the date the option or accessory was originally purchased by the user. These items may be covered by a manufacturer's warranty which may have a longer duration than this limited warranty. Please confirm with the manufacturer the duration of the appropriate warranty for Options and Accessories.

### WARRANTY LIMITATIONS

Our limited warranty does not cover defects, damage, or failure caused by the common carrier, installer, user, or other persons, pets, or rodents, or resulting from, without limitation, any of the following: careless handling (lifting unit by plumbing, abrading finish, etc.) including its own negligence; modification of any type for any reason (including modification to meet local codes); improper installation (including installation not in accordance with instructions and specifications provided with the unit); connections supplied by the installer of the equipment; improper voltage supply or unauthorized electrical modification; misuse; incorrect operation, or lack of proper routine maintenance; operation of the unit without specified minimum amount of water or at inappropriate water temperature; use of abrasive or improper cleaners; or acts of God, such as lightning, floods, earthquakes, etc.

In addition, THE COMPANY WILL NOT BE RESPONSIBLE FOR INCIDENTAL OR CONSEQUENTIAL DAMAGES or losses arising from any cause (e.g., water damage to carpet, ceiling, tiles, marble, loss of use, etc.) including its own negligence; damages to, respecting, or resulting from: plated parts when pool and/or spa chemicals are used in the unit or hard water conditions; optional bath equipment not manufactured by the Company but supplied by Dealer, installer or the Company; the unit's prior usage as an operational display; or defects that should have been discovered before installation.

This limited warranty does not include: labor, transportation, or other costs incurred in the removal and/or reinstallation of the original unit and/or installation of a replacement unit; any costs relating to obtaining access for repair; or loss of use damage, including loss of sales, profit or business advantage of any kind under any circumstances. Bath units are excluded from any warranty coverage if any addition, deletion, or modification of any kind whatsoever has been made to the unit (or to any component). Warranty coverage is provided in the United States of America and Canada only.

### EXCLUSION OF IMPLIED WARRANTIES

IMPLIED WARRANTIES OF MERCHANTABILITY AND FITNESS FOR A PARTICULAR PURPOSE ARE DISCLAIMED TOGETHER OR TO THE FULLEST EXTENT ALLOWED BY LAW.

NOTICE: This warranty gives you specific legal rights, and you may also have other rights which vary from state to state. There are no warranties applicable to Jacuzzi Whirlpool Bath products except as expressly stated herein or as implied by applicable state and federal laws. The Company will not be responsible for any statements or representations made in any form that go beyond, are broader than or are inconsistent with any authorized literature or specifications furnished by the Company. Some states do not allow limitations on how long an implied warranty lasts, or the exclusion or limitation of incidental or consequential damages, so the above limitations and exclusions may not apply to you.

### RETURN OF WARRANTY CARD

The attached Warranty Registration Card MUST be filled out by the purchaser within thirty (30) days from purchase and received by Jacuzzi Whirlpool Bath in order for this warranty to become effective.

## RETURN OF WARRANTY REGISTRATION

To register your product, please go to our web-site Jacuzzi.com, click on Bath and Showers, then select ONLINE WARRANTY REGISTRATION from the top of the page. You will then be prompted to enter your product Serial Number followed by your warranty registration information. Or you may also register by completing the registration below and mailing it to Jacuzzi at the address provided below.

The attached Warranty Registration MUST be filled out by the purchaser within thirty (30) days from purchase and received by Jacuzzi Luxury Bath in order for this warranty to become effective.

### RESPONSIBILITIES OF OTHERS

Inspecting the unit prior to installation is the responsibility of the installer or building contractor who acts on behalf of the User. They are responsible for ensuring the unit is free of defect or damage. Notices are placed on and in the unit and on the shipping carton advising the installer of this responsibility. In the event of a problem, the unit must not be installed. The Company is not responsible for failures or damage that could have been discovered, repaired, or avoided by proper inspection and testing (including proper water testing) prior to installation.

Damage occurring in transit is the responsibility of the carrier. The User or installer MUST open the crate and inspect the unit for damage when it is delivered. If damage is discovered, it must be reported immediately to the seller and the carrier in writing, and an inspection requested. Failure of the carrier to respond should be reported to the seller and the carrier. Your freight claims should be filed promptly thereafter.

Damage occurring to the unit during installation is the responsibility of the installer and/or building contractor and damage occurring thereafter is the responsibility of the user.

Failure of any optional equipment is the sole responsibility of the equipment manufacturer except as provided above and shall not extend to or apply to any replacement parts for the Options and Accessories. Any replacement parts shall be covered by the original equipment manufacturer.

The Distributor or Dealer is responsible for knowing local code requirements and notifying the installing contractor and/or User of these requirements at the time of purchase. The Company is not responsible for costs to modify any product to obtain any code approval, such as city, county, or state building codes in U.S.A. or municipal or provincial codes in Canada.

### WARRANTY SERVICE

For the customer's benefit, the Company maintains a list of independent service personnel to perform required warranty service repairs. Such firms are not agents or representatives of the Company and cannot bind the Company by words or conduct.

The Company will provide the warranty service described above when the following conditions have been met: the failure is of the nature or type covered by the warranty; the User has informed an Authorized Jacuzzi Luxury Bath Service Agent or Warranty Service Department Representative of the nature of the problem during the warranty period; conclusive evidence (e.g., proof of purchase or installation) is provided to the foregoing by the user proving that the failure occurred or was discovered within the warranty period; an authorized independent service person or Company representative has been permitted to inspect the unit during regular business hours within a reasonable time after the problem was reported by the User. In order to obtain warranty service, contact Jacuzzi Luxury Bath at:

jacuzzi.com

or

Warranty Service Department  
14525 Monte Vista Avenue  
Chino, California 91710  
Call: 1-(800) 288-4002

To obtain warranty replacement for factory-installed components for Company supplied options and accessories manufactured and supplied by the Company, call or write the above. Provide a description of the problem and proof of purchase. You will be instructed how to obtain replacements and where to return, at your expense, the failed component(s), option(s), or accessory(ies).

All replacement parts, equipment, and repairs shall assume the remaining warranty period of the part(s) replaced.

The Company's warranty obligation shall be discharged upon tender of replacement or repair. The customer's refusal to accept the tender terminates the Company's warranty obligation.

Ninety-Day  
Parts Only  
Limited Warranty  
On  
Accessory(ies)

JACUZZI LUXURY BATH  
U961000M



Jacuzzi® Luxury Bath  
14525 Monte Vista Avenue  
Chino, California 91710



WARRANTY REGISTRATION CARD

To complete your registration, visit our website at www.jacuzzi.com or fill out and mail this card to the address printed on the other side within thirty (30) days from date of purchase in order for this warranty to be come effective.

Purchaser's Name \_\_\_\_\_

Purchaser's Address \_\_\_\_\_

City \_\_\_\_\_ State \_\_ Zip \_\_\_\_\_

Home Phone: \_\_\_\_\_ Cell Phone: \_\_\_\_\_

Email: \_\_\_\_\_

Date of Purchase \_\_\_\_\_

Model Name \_\_\_\_\_

Serial Number \_\_\_\_\_

Dealer's Name \_\_\_\_\_

Dealer's Address \_\_\_\_\_

1. How did you first hear about this Jacuzzi® product?  
 Advertisement  Article in Magazine/Newspaper  
 Visited Dealer/Plumbing Supplier  Yellow Pages  
 Builder/Plumber/Remodeler  Decorator/Architect  
 Visited Retailer/Home Center Store  
 Word of Mouth . . . Friend/Relative/Acquaintance  
 Other (Please Describe) \_\_\_\_\_
2. Who first gave you specific information about this product (specifications, prices, etc.)?  
 Dealer/Plumbing Supplier  Builder  Remodeler  
 Plumbing Contractor  Retailer/Home Center Store  
 Decorator/Architect  Already Installed
3. What was the main reason for purchase?  
 Styling  Warranty Service  Product Features  
 Brand Name  Price  Hydrotherapy  
 Home Resale \_\_\_\_\_  
 Other \_\_\_\_\_
4. Who finally decided which product you would buy?  
 Self  Spouse  Self and Spouse Together  
 Other Family Member  Designer/Architect  
 Builder/Plumber/Remodeler  Already Installed
5. Who installed?  Already installed/New Home  
 Contractor/Plumber when remodeling  
 Self/Spouse when remodeling  
 Other \_\_\_\_\_
6. What is the current market value of this property?  
Please estimate \$ \_\_\_\_\_
7. What is the age of the head of the household? Years \_\_\_\_\_
8. What other manufacturers did you consider?  
 Eljer  Lasco  Price Pfister  Aqua Glass  
 Kohler  American Standard  Sterling  
 Other (Specify) \_\_\_\_\_
9. How long did you shop before purchasing unit?  
 1 day  2 months- 6 months  
 2-7 days  6 months- 1 year  
 1 week- 2 weeks  1 year- 2 years  
 2 weeks- 4 weeks  +2 years  
 1 month- 2 months
10. Approximately how long have you lived in this home \_\_\_\_\_?
11. Please indicate, approximately, the total annual income of your household.  
 Up to \$24,999  \$50,000 to \$74,999  
 \$25,000 to \$29,999  \$75,000 to \$99,999  
 \$30,000 to \$39,999  \$100,000 to \$149,999  
 \$40,000 to \$49,999  \$150,000 and Above
12. Was your purchase process?  
 Very easy  Easy  Difficult  Very Difficult
13. How technically aware were you of the patented Jacuzzi® jet system prior to your purchase?  
 Not aware  Somewhat aware  Very aware

Ninety-Day
Parts Only
Limited Warranty
On
Accessory(ies)



**ESPREE™ BAIGNOIRE  
SERIES**

**INSTALLATION ET FONCTIONNEMENT**

**Jacuzzi® Luxury Bath**

14525 Monte Vista Avenue  
Chino, CA 91710  
1-800-288-4002  
[www.jacuzzi.com](http://www.jacuzzi.com)



## Contenu

Contenu.....	31
Produit Informat.....	31
Consignes de sécurité.....	32
Consignes de sécurité opérationnelle.....	34
Introduction.....	36
Inspection et essai.....	37
Cadrage.....	38
Connexions électriques.....	39
Installation par le dessus.....	41
Installation dans une alcôve à trois murs.....	43
Installation Jupe.....	43
Nettoyage.....	44
Opération.....	44
Whirlpool contrôle.....	45
Purger le système Whirlpool.....	46
Baignoire additifs.....	46
Entretien.....	46
Procédures de dépannage.....	47
Autorisé Service.....	48
Warranty.....	49

## Produit Informat



Conservez ces directives pour utilisation ultérieure. Utilisez le formulaire ci-dessous pour noter votre modèle et numéro de série pour consultation future.

Date d'achat \_\_\_\_\_

Acheté chez \_\_\_\_\_

Installé par \_\_\_\_\_

Numéro de série \_\_\_\_\_


Modèle \_\_\_\_\_

**Installateur :** laissez le manuel au propriétaire.

**Propriétaire :** lisez ce manuel et gardez-le pour consultation future.


**Consignes de sécurité****INSTRUCTIONS RELATIVES AU RISQUE DE FEU, UN CHOC ÉLECTRIQUE OU DE BLESSURES.**


Il s'agit d'un produit de qualité professionnelle. Une connaissance des techniques de construction, de plomberie et d'installation électrique conformément aux codes sont nécessaires pour l'installation et la satisfaction des utilisateurs. Nous recommandons qu'un entrepreneur agréé d'effectuer l'installation de tous les produits® Jacuzzi de luxe. Notre garantie ne couvre pas une mauvaise installation des problèmes connexes.


 **ATTENTION:** Lorsque vous utilisez cet appareil, des précautions de base doivent toujours être effectuées, y compris les suivantes:

- **LIRE ET SUIVRE TOUTES INSTRUCTIONS. CONSERVER CES INSTRUCTIONS.**

- Utiliser cet appareil uniquement pour son usage prévu, comme décrit dans ce manuel. Ne pas utiliser les accessoires recommandés par le fabricant.
- Ne jamais laisser tomber ou insérer des objets dans les ouvertures.











 **ATTENTION:** risque de blessure accidentelle ou d'une noyade! Ne pas laisser les enfants utiliser cet appareil à moins qu'ils sont étroitement supervisé en tout temps. Ne pas utiliser les baignoires d'hydromassage, sauf tous les dispositifs d'aspiration sont installés pour empêcher le corps et les cheveux la provocation policière. Ne jamais faire fonctionner la baignoire d'hydromassage, si la succion capot est cassé, endommagé ou manquant.

 **DANGER:** Risque de grave blessure par choc électrique ou de décès d'électrocution! Cet appareil doit uniquement être raccordé à un circuit d'alimentation qui est protégé par un disjoncteur de 15 ampères au sol faute (GFCI). Une telle GFCI doit être fournie par l'installateur et doit être testé sur un de façon systématique. Pour tester le disjoncteur, appuyer sur le bouton d'essai. Le GFCI devraient couper le courant. Appuyez sur le bouton de réinitialisation. Power devrait être restaurée. Si le GFCI ne fonctionne pas de cette manière, le différentiel est défectueux. Si le disjoncteur interrompt le pouvoir de la baignoire sans le test bouton est poussé, un motif courant circule, indiquant une possibilité d'un choc électrique. Ne pas utiliser ce hydromassage baignoire. Débrancher la baignoire à hydromassage et le problème corrigé par un représentant compétent avant de l'utiliser..

 **AVERTISSEMENT:** Risque de choc électrique! Ne pas laisser les appareils électriques (tels que sèche-cheveux, lampe, téléphone, radio ou télévision) dans les 60 "(1524mm) de cette baignoire à hydromassage. Connecter uniquement à un circuit protégé par un disjoncteur différentiel (GFCI). (Pour connectés en permanence nités) Une borne verte (ou un connecteur) portant la mention «G», «GR», «terrain», ou «Grounding») est fournie dans le compartiment de raccordement. Pour réduire le risque de choc électrique, connectez-vous le terminal ou connecteur à la borne de mise à la terre de votre électriques panneau de service ou de fourniture avec un équivalent en chef de la taille de la conducteur d'alimentation de l'équipement.



**Consignes de sécurité (suite)**

-  **AVERTISSEMENT:** Ne pas faire fonctionner cet appareil sans la garde sur la consommation de la pompe de circulation (couvercle d'aspiration / filtre).
-  **ATTENTION:** Cet équipement est destiné à une utilisation en intérieur. Installez le l'équipement en conformité avec ces instructions. Utilisez l'offre fils qui se prêtent à 167 ° F (75 ° C), y compris les cote de température des conducteurs d'alimentation à utiliser. Cette appareil doit être relié à la terre et installé par un installateur entrepreneur, électricien, plombier et. Les matériaux de construction et Le câblage doit être acheminé à l'écart du moteur / pompe ou un ventilateur ou chaleur autres composantes production de cette unité. Une pression le connecteur est prévu à l'extérieur du moteur / pompe et chauffage pour permettre la connexion d'un n ° 8 AWG en cuivre massif conducteur de liaison entre cet appareil et tous les autres électriques métal matériel et exposés dans les environs, au besoin, pour se conformer aux exigences locales.
-  **Lorsque vous utilisez cet équipement électrique, des précautions de base doivent toujours être respectées, y compris les suivantes:**
-  **ATTENTION:** RISQUE DE BLESSURES ACCIDENTELLES OU LA NOYADE! ENFANTS NE DEVRAIENT PAS UTILISER BAIGNOIRE À HYDROMASSAGE, SANS SURVEILLANCE D'UN ADULTE.
-  **ATTENTION:** RISQUE DE BLESSURE ACCIDENTELLE OU D'UNE NOYADE! NE SONT PAS UTILISATION BAIGNOIRE À HYDROMASSAGE SI TOUS ASPIRATION GARDES SONT INSTALLÉS POUR EMPÊCHER LE CORPS ET LES CHEVEUX PROVOCATION POLICIÈRE.
-  **AVERTISSEMENT:** POUR ÉVITER LES BLESSURES, FAIRE ATTENTION LORS DE LA SAISIE OU SORTANT DE LA BAIGNOIRE À HYDROMASSAGE.
-  **AVERTISSEMENT:** RISQUE DE BLESSURES ACCIDENTELLES OU LA NOYADE! NE PAS UTILISER DES MÉDICAMENTS OU D'ALCOOL AVANT OU PENDANT LE UTILISATION D'UN BAIGNOIRE À HYDROMASSAGE ÉQUIPÉE D'UN CHAUFFE-TO L'INCONSCIENCE ÉVITER ET POSSIBLE NOYADE.
-  **AVERTISSEMENT:** RISQUE DE LÉSION FOETALE! ENCEINTE OU VENTUELLEMENT LES FEMMES ENCEINTES DEVRAIENT CONSULTER UN MÉDECIN AVANT UTILISATION D'UN BAIGNOIRE À HYDROMASSAGE ÉQUIPÉE UNE CHAUFFE-EAU.
-  **AVERTISSEMENT:** RISQUE D'HYPERTHERMIE ET DE NOYADE: NE PAS UTILISER UNE BAIGNOIRE À HYDROMASSAGE ÉQUIPÉE D UN FOYER JUSTE APRÈS UN EXERCICE ARDU
-  **CONSERVER CES INSTRUCTIONS .**

## Consignes de sécurité opérationnelle

**AVERTISSEMENT:****RISQUE D 'HYPERTHERMIE ET DE NOYADE!**

Ne pas utiliser une baignoire à hydromassage équipée d'un chauffe-immédiatement après un exercice intense.

**AVERTISSEMENT:****RISQUE DE CHOC ÉLECTRIQUE!**

- système d'hydromassage Ne faites pas fonctionner à moins que le bain est rempli d'eau à au moins 1-2 " (25-51 mm) audessus du jet le plus élevé.
- Ne pas immerger le panneau de contrôle par le débordement du bain.
- Lors du nettoyage de votre salle de bain, ne pas utiliser de substances abrasives qui peuvent endommager la surface de la baignoire.
- Pour prévenir la décoloration de la finition en acrylique, ne remplissez pas la salle de bain avec de l'eau au-delà de 140 ° F (60 ° C).

**AVERTISSEMENT:****L'IMMERSION PROLONGÉE DANS L'EAU CHAUDE PEUT PROVOQUER HYPERTHERMIE!**

L'hyperthermie survient lorsque la température interne du corps atteint un niveau de plusieurs degrés au-dessus des normales de l'organisme température de 98,6 ° F (37 ° C). Les symptômes de l'hyperthermie comprennent une augmentation de la température interne du corps, étourdissements, la léthargie, la somnolence et des évanouissements. Les effets de la hyperthermie comprennent:

- A. Non à percevoir la chaleur.
- B. Défaut de reconnaître la nécessité de sortir de la baignoire.
- C. La méconnaissance du danger imminent.
- D. dommages au fœtus chez les femmes enceintes.
- E. incapacité physique de sortir de la baignoire inconscience
- F. résultant en danger de noyade.

**ATTENTION:****RISQUE DE LÉSION FOETALE!**

Les femmes enceintes ou possiblement enceintes doivent consulter un médecin avant d'utiliser une baignoire à hydromassage équipée un appareil de chauffage.

**AVERTISSEMENT:**

Garder le corps et les cheveux un minimum de 6 " (152 mm) du raccord d'aspiration à tout moment lorsque le système d'hydromassage est en opération. Cheveux mi-longs de plus de doivent être fixés près de la tête.

### Consignes de sécurité opérationnelle (suite)

-  **AVERTISSEMENT:** La consommation d'alcool, de drogues ou médicaments peuvent augmenter considérablement le risque d'hyperthermie fatale. Les personnes sous médicaments ou qui sont en observation médicale doivent consulter un médecin avant d'utiliser une baignoire à hydromassage équipée d'un chauffe.
-  **AVERTISSEMENT:** Ne pas jouer avec les contrôles utilisateur-exploités ou de tels dispositifs.
-  **AVERTISSEMENT:** Utiliser cet appareil uniquement pour son usage prévu, comme décrit dans le présent manuel. N'utilisez pas d'accessoires non recommandés par le fabricant.
-  **AVERTISSEMENT:** Pour éviter les blessures faire preuve de prudence, à l'entrée ou la sortie de la baignoire à hydromassage.
-  **AVERTISSEMENT:** Ne pas utiliser baignoire à hydromassage à moins que tous les gardes d'aspiration sont installés pour empêcher le corps et les cheveux et le piégeage. Jamais fonctionner le bain hydromassant, si le couvercle d'aspiration est cassé, endommagé ou manquant.
-  **AVERTISSEMENT:** Température de l'eau au-delà de 104 ° F (40 ° C) peut être préjudiciable pour votre santé. Vérifier et ajuster la température de l'eau avant utilisation.
-  **MISE EN GARDE:** Lisez les instructions complètes fournies dans ce manuel avant de commencer l'installation.
-  **IMPORTANT:** Read the complete instructions provided in this manual before beginning installation.
-  **IMPORTANT:** Pour un fonctionnement optimal, le niveau d'eau doit rester à 1 " à 2 " (25mm à 50mm) au-dessus du jet le plus élevé, ne pas utiliser à base d'huile additifs baignoire dans votre baignoire à hydromassage.

La Société a obtenu le code en vigueur (normes) Inscriptions généralement disponibles sur une base nationale pour les produits de ce type. Il est de la responsabilité des installateur / propriétaire afin de déterminer la conformité aux codes locaux spécifiques avant l'installation du produit. La Société ne fait aucune représentation ou garantie concernant, et ne sera pas responsable de tout respect du code. Les spécifications des produits sont soumis à changement sans préavis.

## Introduction

Le drain / trop-plein de la baignoire s'étend au-dessous du fond de la baignoire. Notez que cela nécessite une découpe dans le plancher.

**La structure du plancher sous la baignoire doit être capable de supporter un poids total de bain, l'eau et les baigneurs. Reportez-vous à la table sous le poids total de votre modèle.**

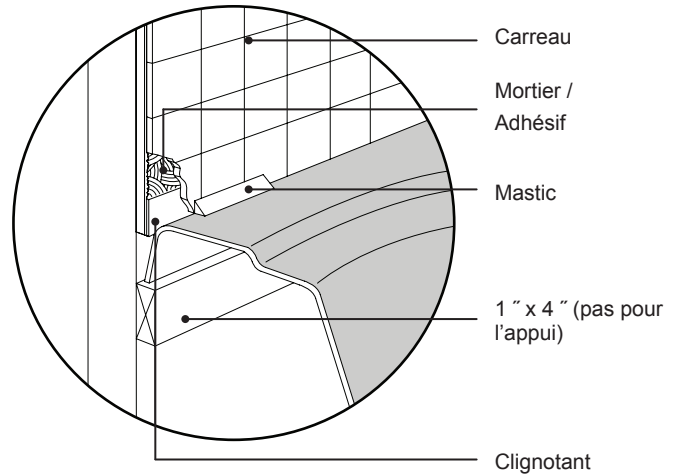
L'unité doit être appuyée par le fond de la baignoire et non du rebord de la baignoire ou de bride de carrelage. Si le plancher est de niveau et une surface continue, sans autre préparation n'est nécessaire. Vous pouvez procéder à l'installation de la baignoire. Si le plancher n'est pas de niveau, vous DEVEZ niveau toute la surface avant d'installer la baignoire. L'utilisation de matériaux qui cale ou de fournir une installation de niveau sont admises à condition de la méthode utilisée assurera un bain de niveau qui est soutenu par le bas. Les matériaux qui peuvent être utilisés sont un composé de nivellement de sol, de mortier, en plâtre ou en expansion minimale mousse structurale ayant une densité d'un minimum de 5 lb / pi cubes, mais le bain doit rester au niveau, afin de s'écouler correctement et tous les pieds de mousse doivent être en contact complet avec le matériel de mise à niveau. Les deux parties d'une articulation ou d'épissage des sous-plancher doit être de niveau à l'autre. Lorsque bains avec des brides de fixation au mur montant, utiliser des cales pour combler les lacunes entre la bride de la baignoire et les poteaux.

Le rebord de la baignoire n'est pas conçu pour supporter le poids. Si le matériau de finition est de chevauchement ou de contact avec le bain, le poids supplémentaire doit être entièrement à leurs besoins.

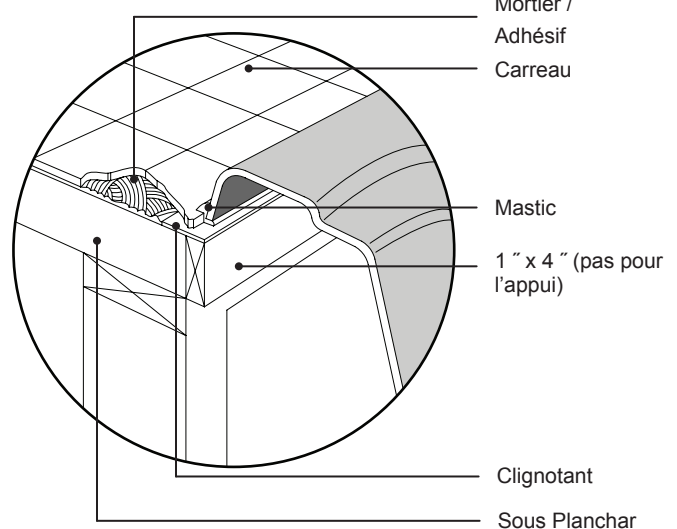


Si une jupe doit être utilisé, il doit être installé à moment de l'installation de l'appareil - se référer à la jupe les instructions d'installation. Installez des pièces décoratives en option lorsque toutes les installation a été achevée

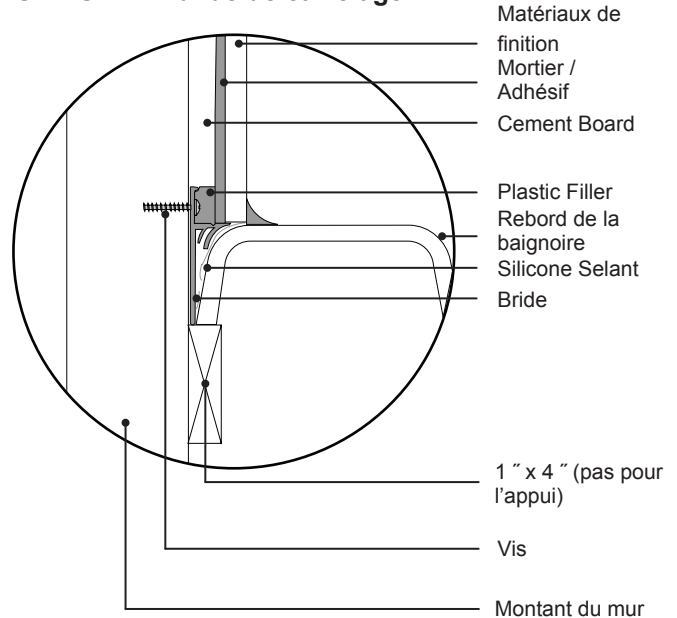
### Contre le mur



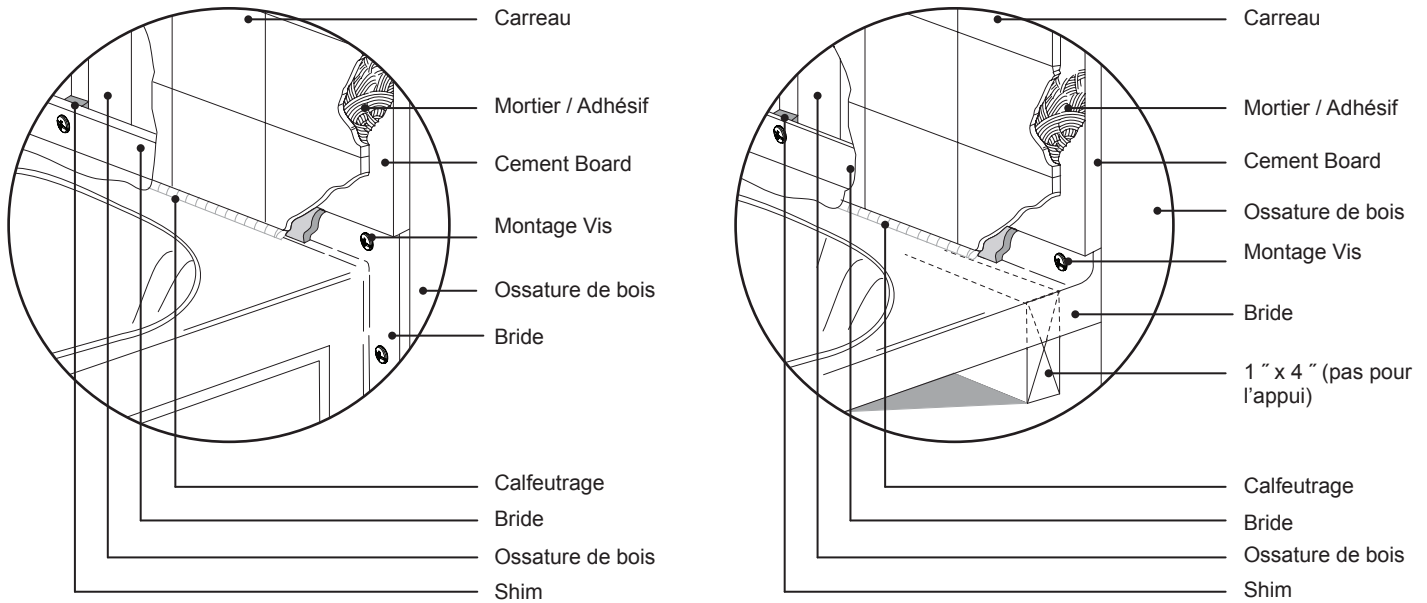
### Semi-enterrée



### OPTION KIT bride de carrelage



## Bride de montage typique Détails



Les cales peuvent être utilisées pour renforcer, ou à proximité, en hausse de toutes les lacunes qui subsistent entre la bride et le montant en bois.

## Inspection et essai

### Inspection visuelle

- ❶ Retirez la baignoire de la boîte d'expédition. Faites attention de ne pas égratigner la surface de la baignoire sur les agrafes exposées. Retirez les agrafes ou pliez-les sur la boîte. Conservez la boîte jusqu'à ce que vous ayez effectué une inspection satisfaisante du produit. Ne soulevez jamais la baignoire par la plomberie; manipulez-la par la coquille seulement.
- ❷ Examinez la coquille et les composants de la baignoire. Si l'inspection révèle des dommages ou des défauts dans le fini ou des dommages visibles à l'un ou l'autre des composants, n'installez pas la baignoire. Les dommages ou les défauts au fini réclamés après l'installation de la baignoire sont exclus de la garantie. La responsabilité de Jacuzzi Luxury Bath quant aux dommages causés par l'expédition prend fin au moment de la livraison au transporteur de produits en bon état.
- ❸ Communiquez avec le transporteur pour toute réclamation pour des dommages. Pour obtenir des détails sur la couverture et les limites de la garantie, reportez-vous aux renseignements sur la garantie publiés et emballés avec le produit ou à ceux qui se trouvent à la fin de ce manuel.

### Essai d'eau et de fonctionnement de la baignoire

Toutes les baignoires sont testées en usine avant d'être expédiées pour assurer leur fonctionnement adéquat et l'étanchéité des connexions. Cependant, l'unité doit être testée à nouveau par l'installateur avant l'installation. Jacuzzi Luxury Bath n'est pas responsable des défauts qui auraient pu être découverts, réparés ou évités en effectuant cette inspection et procédure d'essai :


- ❶ Placez la baignoire sur une surface de niveau près d'une l'alimentation électrique appropriée, d'une alimentation en eau et d'une évacuation d'eau. Une voie d'accès pour autos est un bon endroit.
- ❷ Scellez le trou d'évacuation et de trop-plein avec du ruban ou un bouchon et remplissez la baignoire jusqu'à la partie inférieure du trou de trop-plein..
- ❸ Laissez la baignoire reposer pendant cinq minutes.
- ❹ Branchez le bloc pompe/moteur et mettez l'unité en marche. Confirmez que toutes les caractéristiques fonctionnent selon leur description dans la section Utilisation de ce manuel. N'installez pas la baignoire si elle ne fonctionne pas correctement.
- ❺ Examinez tous les joints pour vous assurer qu'ils ne fuient pas. N'installez pas la baignoire si vous découvrez des fuites.
- ❻ Remettez la baignoire dans la boîte ou protégez-la des dommages jusqu'au moment de l'installation.

## Cadrage

Un manuel de spécifications techniques est offert avec votre baignoire. Le manuel de spécifications techniques comprend des renseignements utiles concernant votre produit Jacuzzi Luxury Bath. Localisez le manuel de spécifications techniques.

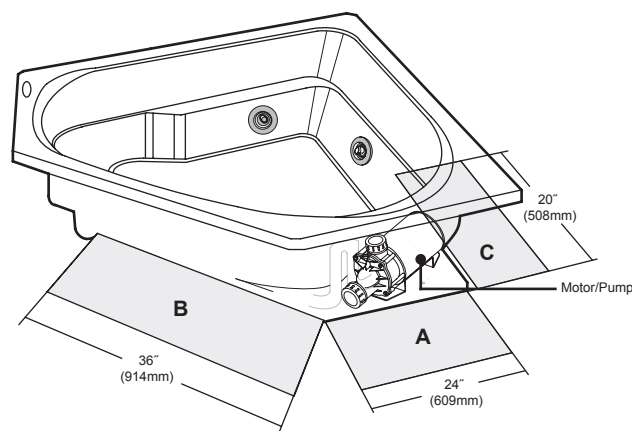
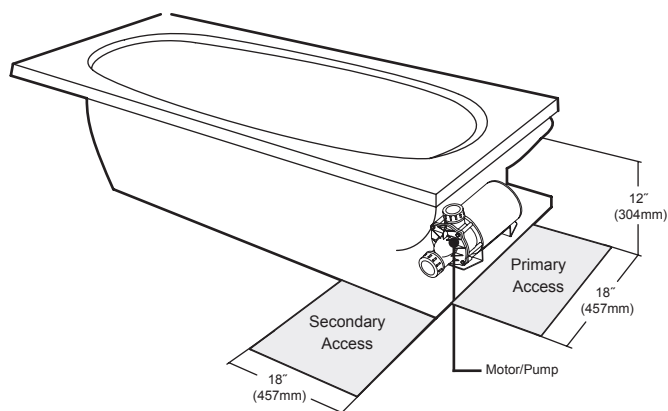
Encadrez l'espace où sera installée la baignoire. Considérez les éléments suivants lors de la préparation de la zone :


- Les dimensions fournies sur les diagrammes de disposition des tuyaux sont nominales. Mesurez votre unité dès sa réception et effectuez le cadre en fonction des dimensions réelles.
- La structure du plancher sous la baignoire doit être capable de soutenir le poids total de la baignoire, de l'eau et du baigneur.
- L'unité doit être soutenue par le dessous de la baignoire et non par le rebord de la baignoire. Pour les installations par le dessus, n'oubliez pas l'épaisseur du matériau en périphérie et du matériau de finition (marbre, carreaux, etc.).
- Assurez-vous que le rebord s'appuiera sur une surface de niveau.
- En vertu du code, vous devez fournir un accès vers le ventilateur de votre modèle précis. Des emplacements d'accès de service principaux et secondaires sont illustrés dans les diagrammes de disposition des tuyaux se trouvant dans le manuel de spécifications techniques. La figure 1 indique des emplacements d'accès communs.

 L'installateur, l'entrepreneur ou le propriétaire doivent fournir un accès pour le service. Jacuzzi n'est pas responsable des frais encourus pour obtenir l'accès en cas de réparation. Le propriétaire sera responsable de tels frais et, le cas échéant, doit alors demander un recouvrement à l'installateur.

- Prévoyez une ventilation adéquate pour le refroidissement et fournissez suffisamment d'air pour le bloc pompe/moteur. N'isolez pas autour de l'équipement.
- Votre baignoire peut avoir des pièces du bloc pompe/moteur qui se prolongent au-delà du rebord de la baignoire. Reportez-vous aux diagrammes de disposition des tuyaux dans le paquet de garantie et effectuez l'encadrement correctement en conséquence.

### Emplacements d'accès communs



- A** = Primary access
  - B** = Acceptable alternative if access **A** is not possible
  - C** = Secondary access for equipment (optional)
-  Left hand unit access is on the opposite side (mirror).


## Sous-plancher

Préparez le sous-plancher pour l'évacuation et assurez-vous que la zone est de niveau.


- 1 L'évacuation/le trop-plein de la baignoire se prolonge sous le fond de la baignoire. Dans le manuel de spécifications techniques, identifiez le dessin qui correspond à votre baignoire.
- 2 Effectuez les coupes appropriées dans le sous-plancher pour accommoder l'évacuation.
- 3 La base Tru-Level™ de Jacuzzi est une caractéristique standard sur toutes les baignoires. Si le sous-plancher est une surface continue de niveau, aucune autre préparation n'est requise. Procédez à la section « Installation ».
- 4 Si le sous-plancher n'est pas au niveau, vous devez niveler la surface au complet avant d'installer la baignoire. Les matériaux utilisés permettront de vous assurer que la baignoire est soutenue par le fond. Ces matériaux sont : composé de nivellement, mortier, plâtre ou mousse structurale à expansion minimale (avec une densité d'au moins 80 kg/m<sup>3</sup>). La baignoire doit demeurer de niveau afin qu'elle s'évacue correctement et elle doit être en contact avec le matériau de nivellement. Les deux côtés d'un joint ou d'une épissure d'un sous-plancher doivent être au même niveau.

## Connexions électriques

 Risque de décharge électrique. Reliez seulement à un circuit protégé par un disjoncteur de fuite de terre.

 Des précautions de base doivent toujours être prises lorsque vous utilisez des appareils électriques :

- respectez toujours les codes locaux d'électricité et de construction;
- la mise à la terre est requise. L'unité doit être installée et mise à la terre par un électricien qualifié.


 Un chauffe est livré en standard sur tous les modèles™ Espree baignoire d'angle.


Deux circuits protégés GFCI sont nécessaires.

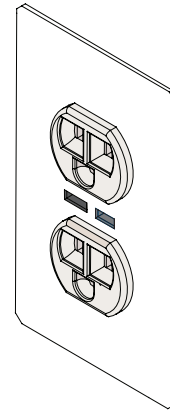
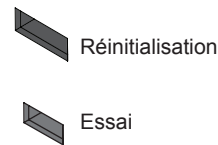
Un ensemble distinct, 120VAC, 15 Ampères GFCI circuit est nécessaire pour la pompe / moteur.

Si vous installez le chauffe-eau en option, un 120VAC séparé et dédié, 15AMP, circuit protégé GFCI est requise.

Si vous installez le chauffe-eau en option, s'il vous plaît se référer à l'installation et le manuel fourni opération qui est fourni avec l'appareil.


 Risque de surchauffe des composants. N'utilisez pas un cordon d'extension électrique pour alimenter cette unité.


 Au démarrage initial, le système de contrôle électronique automatique entre dans un programme d'auto diagnostic pour les 15-20 secondes. Pendant le programme de diagnostic, le système ne sera pas accepter des commandes utilisateurs



## Pompe / moteur

**1** Pour la pompe / moteur, installer un de 120 VCA, 15AMP, prise double GFCI pour le montant du mur sous la baignoire à 4 " (101 mm) au-dessus du sol. La prise en duplex n'est pas fourni.

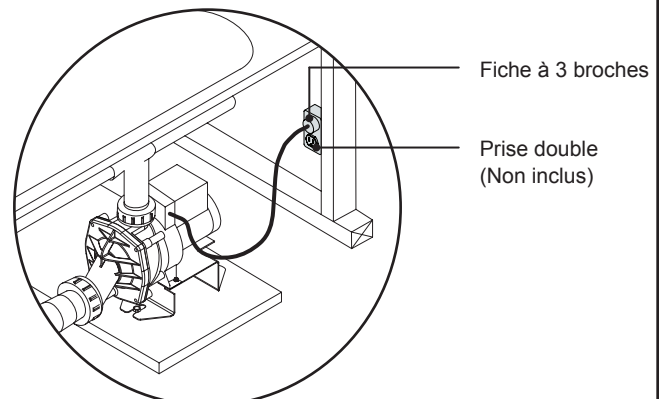
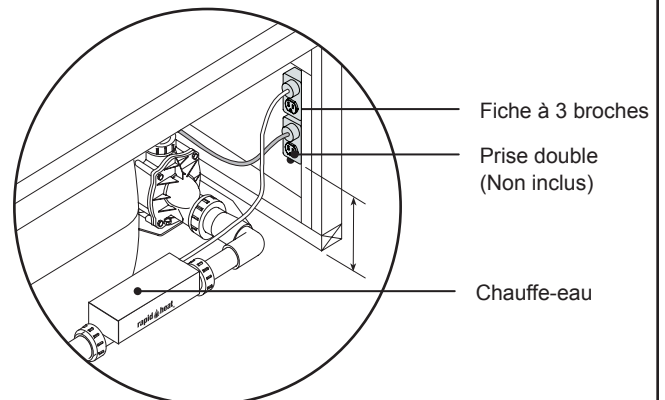
 La prise doit être monté duplex 4 " (101 mm) au-dessus la ligne de plancher, ou conformément à la construction locale et électriques codes.

 On the corner bathtubs, or 6060 bathtubs, a duplex junction box has been provided. To access, remove skirt access panel. See top views in Rough-In section for location.


Une prise GFCI protégée séparée (non fourni) est nécessaire pour la pompe / moteur et doit être installé dans la boîte de jonction. La boîte de jonction doit être câblé. Le moteur est relié au boîtier de raccordement à l'usine.

**2** Utiliser un fil # 8 en cuivre massif, terrain moteur de la pompe à la maison panneau électrique, ou approuvés au sol local. Une cosse est prévu sur le moteur de la pompe.

**3** Au démarrage initial, et avant chaque utilisation par la suite sous tension, appuyez sur le bouton de test GFCI. Le bouton de réinitialisation doit sortir.



 Appuyez sur ce bouton pour réinitialiser. Si l'interrupteur ne fonctionne pas de cette manière, il existe un motif courant circulant ou un dysfonctionnement du dispositif, indiquant la possibilité de choc électrique.

 Couper le courant et ne pas utiliser la baignoire jusqu'à ce que la source du problème a été identifié et corrigé.

## Raccordement électrique 6060 w / Chauffage

Sur le 6060 avec jupe intégrée, une boîte de jonction a été prévue pour la pompe / moteur. Le moteur est relié à la boîte de jonction à l'usine. Pour y accéder, enlever le panneau d'accès jupe.

A séparé de 120 VAVAC, 15 ampères dédié avec GFCI prise protégée (disponible dans le commerce) est requise pour le chauffage et doit être installée dans une boîte de jonction. La boîte de jonction doit être câblé.

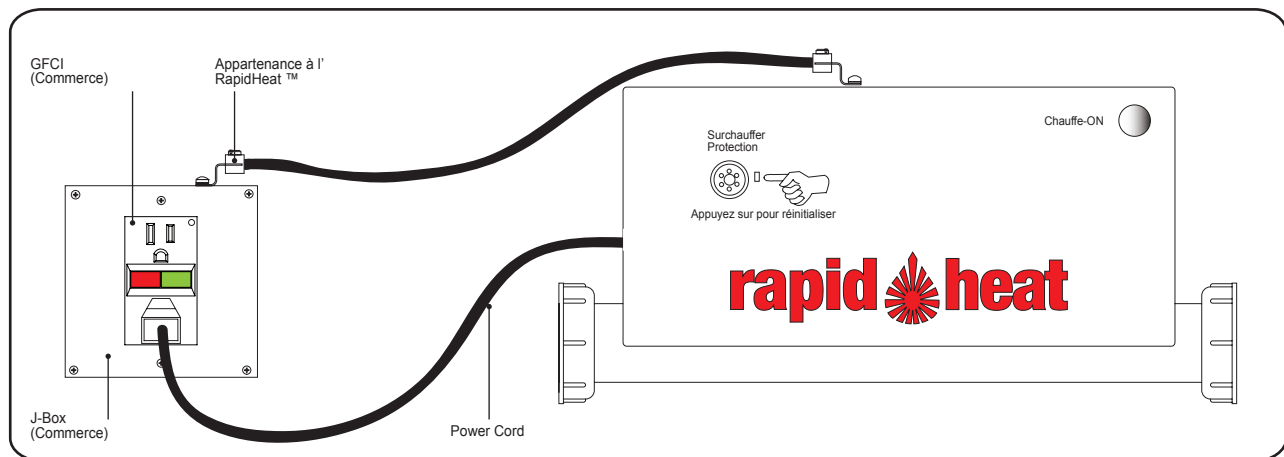
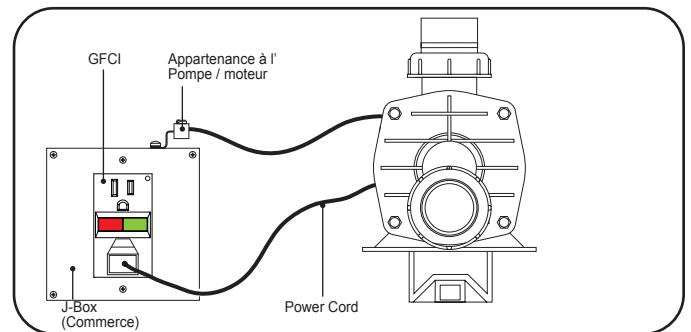
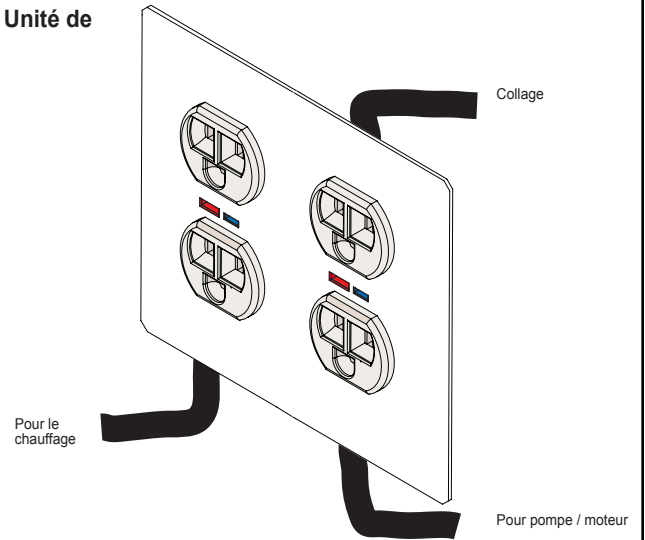
Suivez les instructions ci-dessous collage:

- 1 Avec un fil # 8 en cuivre massif, le chauffe-caution à la maison le panneau électrique ou approuvé obligatoires locaux. Une patte de collage est prévu sur le radiateur.

### Démarrage initial

- 1 Appuyez sur le bouton de test GFCI. Le bouton de réinitialisation doit sortir.
- 2 Appuyez sur ce bouton pour réinitialiser. Si l'interrupteur ne fonctionne pas de cette manière, il existe un motif courant circulant ou un dysfonctionnement du dispositif, indiquant la possibilité de choc électrique.
- 3 Coupez le courant et ne pas utiliser la baignoire jusqu'à ce que la source du problème a été identifié et corrigé.

### 6060 Unité de coin





## Installation par le dessus



Avant de commencer l'installation, veuillez lire ce qui suit :

- Respectez tous les codes locaux et de construction.
- Déterminez les outils qui seront utilisés pendant l'installation.
- D'autres pièces de plomberie et d'évacuation de la baignoire sont offertes sur le marché dans des quincailleries et des magasins de fourniture de plomberie.
- Les renseignements sur la disposition des tuyaux d'évacuation/du trop-plein sont compris avec votre baignoire et se trouvent dans le manuel des spécifications techniques.

Terminez l'installation de la périphérie de la baignoire.

- 1 Installez l'évacuation/le trop-plein conformément aux directives du fabricant. Reportez-vous aussi au section de spécifications techniques.



L'installateur est responsable de l'étanchéité de l'installation de l'évacuation. Toute fuite de l'évacuation est exclue de la garantie Jacuzzi Luxury Bath de ce produit.

- 2 Installez maintenant le robinet. Nous recommandons de faire installer le robinet par un plombier qualifié.



L'installateur est responsable de l'installation adéquate du bec de plomberie et de la conformité aux codes locaux. Jacuzzi Luxury Bath ne garantit pas les connexions des conduites et des raccords d'alimentation en eau, les systèmes de remplissage ou les systèmes d'évacuation/de trop-plein. Elle n'est également pas responsable des dommages à la baignoire qui pourraient survenir pendant l'installation.



Une barrière protectrice ininflammable doit être placée entre le travail de soudure et la baignoire pour éviter d'endommager cette dernière.

- 3 Préparez le trou de la baignoire en utilisant le gabarit pleine grandeur fourni ou les dimensions de coupe indiquées dans le tableau de spécifications du manuel de spécifications techniques.
- 4 Remplissez tous les travaux de finition du pont et le couvercle pour protéger d'endommager tout en plaçant la baignoire.

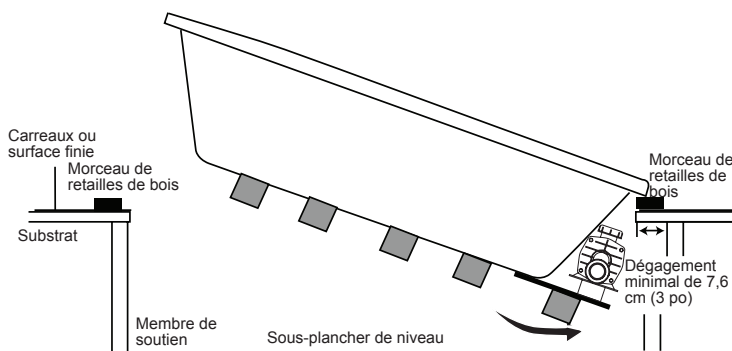
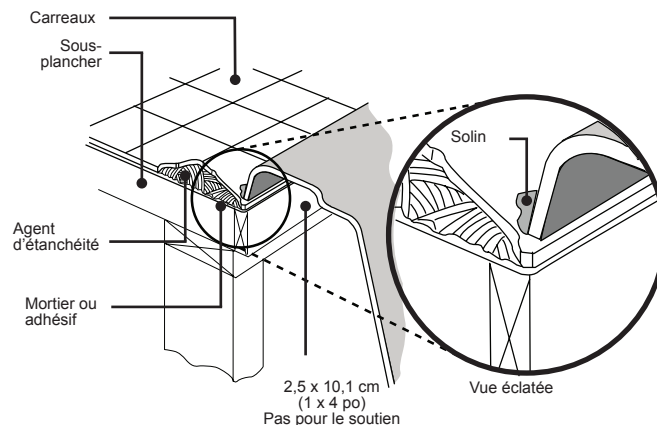


Isolant peut être placé dans la baignoire entourent.




Assurer une ventilation adéquate autour du moteur / pompe pour s'assurer flux d'air suffisant et le refroidissement.

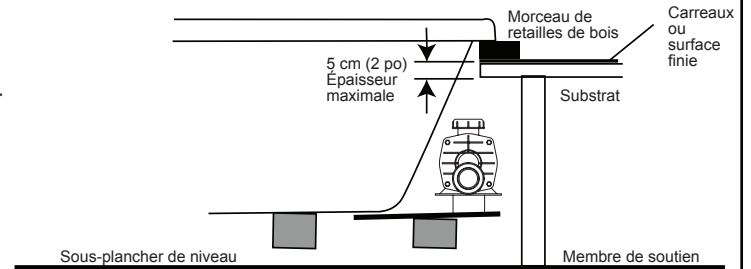
- 5 Coupez l'alimentation électrique de disjoncteur dédié circuits protégés.
- 6 Placez un morceau de bois de rebut sur chacune des extrémités de la découpe - il sera utilisé comme une aide temporaire avant d'abaisser la baignoire à fond dans l'ouverture.




## Installation par le dessus (suite)

- 7 Installez l'appareil, insérer le moteur / pompe première extrémité, l'abaissement de la baignoire dans l'ouverture comme le montre l'illustration.

 NE PAS utiliser les appareils de plomberie ou de lignes d'abaisser l'unité. Autoriser la baignoire pour se reposer sur les supports.




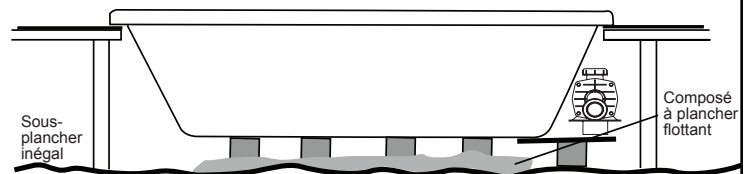
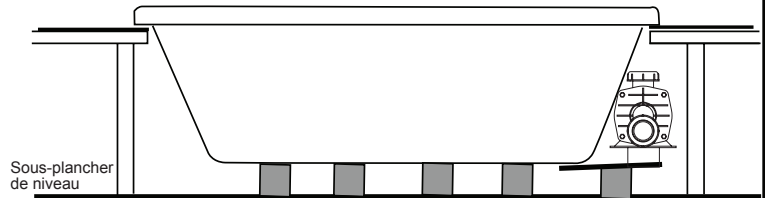
 Inspectez tous les raccords de plomberie, et lignes de contrôle après l'insertion d'assurer les composants ne sont pas endommagés, déconnectés, ou en communiquant avec le substrat de surface de finition ou le soutien des membres.

- 8 Connectez flex lignes d'approvisionnement en eau au robinet et branchez les cordons d'alimentation dans les prises GFCI.

- 9 Retirer bois de rebut et inférieure de la baignoire et raccorder le drain.

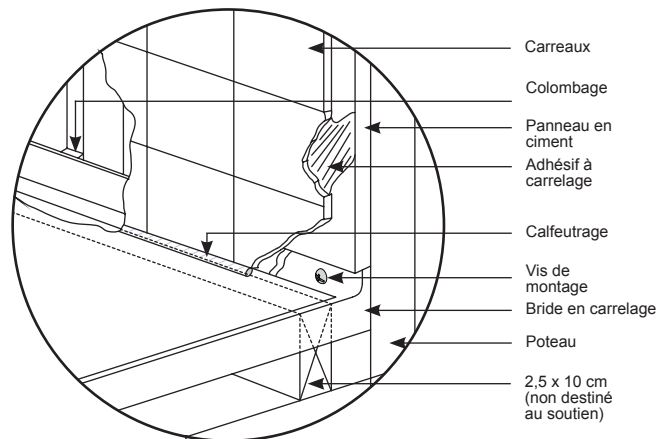
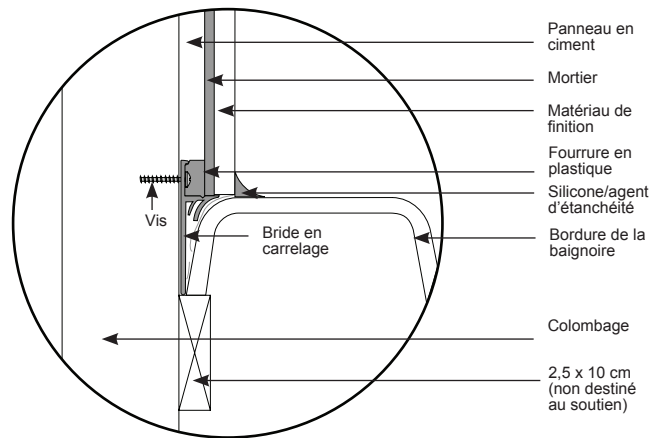
- 10 Allumez l'alimentation de circuits dédiés au GFCI protégée et le fonctionnement du système à cocher.

 Calfeutrez le pourtour de la baignoire pour sceller l'espace entre la jante et la surface finie.



## Installation dans une alcôve à trois murs

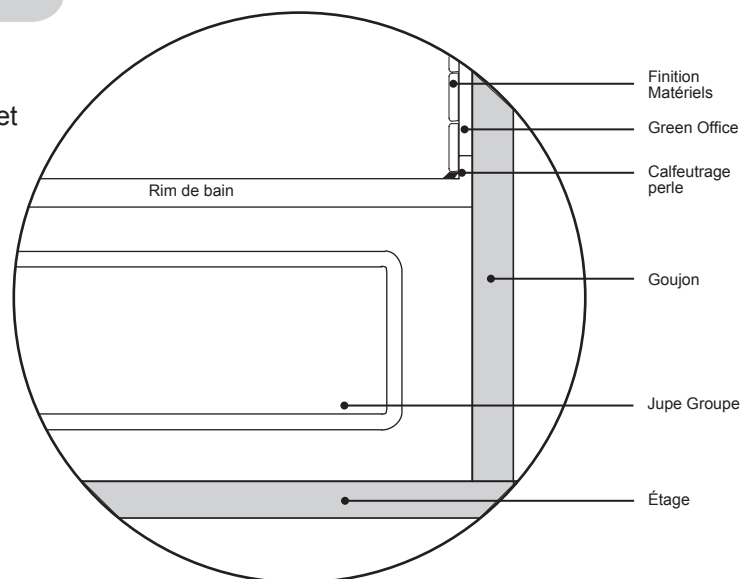
- ❶ Installez l'évacuation/le trop-plein conformément aux directives du fabricant. Reportez-vous aussi au manuel de spécifications techniques.
  - ⚠ L'installateur est responsable de l'étanchéité de l'installation de l'évacuation. Toute fuite de l'évacuation est exclue de la garantie Jacuzzi Luxury Bath de ce produit.
  - ❷ Installez maintenant le robinet. Nous recommandons de faire installer le robinet par un plombier qualifié.
  - ❸ Installez la bride (achetée séparément) conformément aux directives qui sont comprises avec la trousse. Si la baignoire est munie d'une bride intégrée, sautez cette étape.
  - ❹ Placez la baignoire dans la niche. Vissez la bride sur le montant en bois. Il pourra s'avérer nécessaire de compenser l'unité pour combler tout espace entre le poteau en bois et la bride.
  - ❺ Vous pouvez installer un matériau isolant à l'intérieur de la périphérie de la baignoire.
  - ❻ Coupez l'alimentation du circuit protégé par un disjoncteur de fuite de terre.
  - ❼ Alignez la baignoire et reliez l'évacuation.
  - ❽ Reliez les conduites flexibles d'alimentation en eau au robinet et branchez les cordons d'alimentation dans la prise à disjoncteur de fuite de terre.
  - ❾ Examinez tous les raccords, la plomberie et les conduites après l'insertion de la baignoire pour vous assurer que les composants ne sont pas endommagés, débranchés ou en contact avec le substrat de la surface finie ou les membres de soutien.
  - ❿ Appliquez l'alimentation aux circuits spécialisés protégés par un disjoncteur de fuite de terre et vérifiez le fonctionnement du système.
- ⚠ Remplissez tous les travaux de finition autour du périmètre de la baignoire pour sceller l'espace entre la jante et la surface finie.



## Installation Jupe

### Baignoires avec une jupe intégrale

- ❶ Brides jupe vis dans les montants du mur.
- ⚠ Il peut être nécessaire de caler l'appareil pour combler les lacunes entre les poteaux de cloison et les brides.
- ❷ Travaux de finition complète sur jupe bride.
- ❸ Calfeutrez le pourtour de la jupe pour sceller l'espace entre la jupe et la surface finie.



## Nettoyage

Pour éviter de dépolir et d'égratigner la surface de la baignoire, n'utilisez jamais des nettoyants abrasifs. Pour la plupart des surfaces sales, un détergent liquide doux et de l'eau tempérée suffisent. Nous effectuons aussi les recommandations suivantes :

- Retirez le plâtre inversé au moyen d'une lame en bois ou en plastique. Les taches laissées par le plâtre ou le coulis peuvent être éliminées en les frottant légèrement avec un détergent versé sur un chiffon ou une éponge humide. N'utilisez pas des grattoirs en métal, des brosses métalliques ou d'autres outils en métal puisqu'ils endommageront la surface de la baignoire.
- La peinture, le goudron et les autres taches rebelles peuvent être éliminées avec du Fantastik® ou de l'eau savonneuse.
- Les égratignures mineures qui ne pénètrent pas le fini en couleur peuvent être éliminées en ponçant légèrement avec un papier de verre mouillé/sec de 600 grains. Vous pouvez restaurer le fini brillant de la surface acrylique de la baignoire au moyen d'un composé spécial appelé Meguiar's #10 Mirror Glaze. Si ce produit n'est pas disponible, utilisez une pâte à polir automobile suivie de l'application cire en pâte claire .
- Les égratignures et les rainures majeures qui pénètrent la surface acrylique devront être finies à nouveau. Communiquez avec Jacuzzi Luxury Bath pour trouver un agent de service dans votre région.

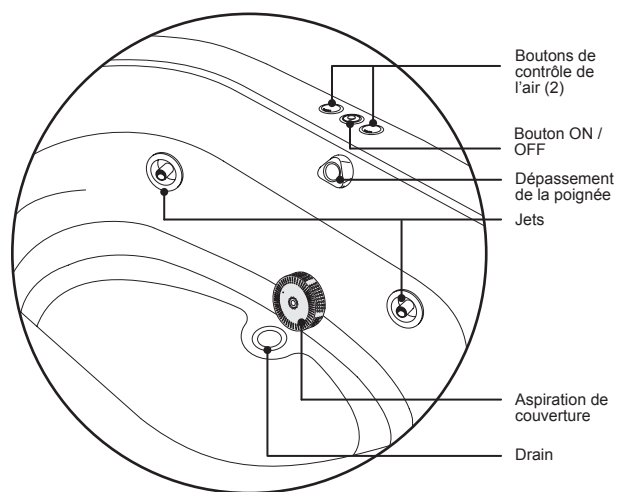
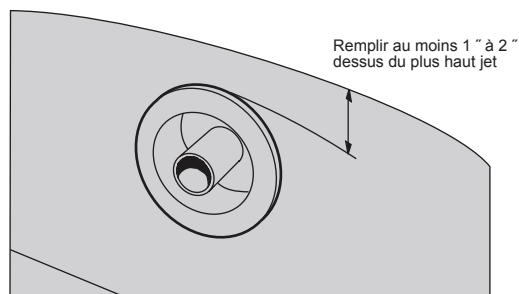
## Opération

Toutes les baignoires de luxe fabriquées par Jacuzzi Bath sont conçues pour remplir et vider, "ce qui signifie que la baignoire doit être vidée après chaque utilisation et rempli d'eau fraîche par le baigneur prochaine. C'est une précaution de santé, ces baignoires sont pas conçus pour retenir l'eau en permanence, comme les piscines ou de spas.

Fermer le drain et de remplir la baignoire jusqu'à ce que l'eau est d'au moins 1" à 2" (25mm à 51mm) au-dessus du jet le plus élevé (voir la ligne d'eau indiqué dans l'illustration). Ne mettez pas le système tourbillon à tout moment si les jets ne sont pas complètement immergé dans l'eau. L'exécution du système tourbillon quand il n'y a pas suffisamment d'eau dans la baignoire peut entraîner pulvérisation d'eau hors de la zone de bain. L'exécution du système tourbillon sans eau pourrait endommager la pompe.

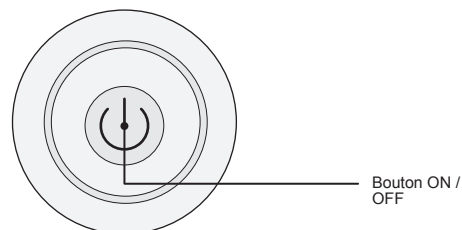


En sortant de la baignoire, le niveau d'eau baisse en dessous de la jets qui pourrait résulter dans l'eau à pulvériser de l'unité.



## Bouton ON / OFF

Le bouton ON / OFF, situé sur la baignoire, vous permet d'activer le système à remous sur et en dehors tandis que dans le bain. Il suffit d'appuyer sur le bouton pour allumer le système tourbillon. Pour éteindre le système, appuyez sur le bouton à nouveau.



## Rapidheat™ opération



Le chauffe-eau Rapidheat™ est livré en standard avec toutes les baignoires 6060 seul coin. Pour tous les modèles d'autres Espree baignoire™, le chauffe-eau est une option.

Une fois que le chauffage est installé et la pompe à remous est en marche, la fonction de chauffage est totalement automatique. Le chauffe-eau aidera à maintenir la température de l'eau dans le bain. Le chauffage est conçu pour aider à maintenir la température de l'eau du bain lorsque l'eau est ajoutée à la température souhaitée. Il ne remplace pas la nécessité d'avoir un approvisionnement suffisant en eau chaude pour le remplissage de la baignoire.

### Mano-contact

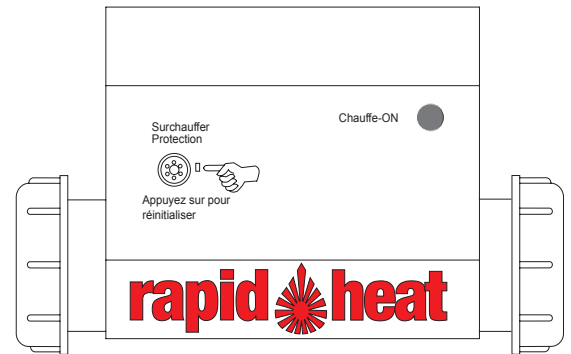
Le radiateur est équipé d'un interrupteur à vide prédéfini qui ne permet pas le chauffe-eau pour mettre en marche si la pompe ne fonctionne pas avec de l'eau qui coule à travers le système tourbillon.

### D'aiguillage à haute limite

Le chauffe-eau comprend un commutateur exclusive haute limite. Ce circuit de sécurité ne sera pas faux voyage de l'eau chaude du robinet. Il ne éteindre le chauffe-eau, si le thermostat échoue. Pour remettre à zéro, appuyez sur le bouton.

### Radiateur sur l'indicateur

La lumière s'allume tout moment le chauffage est en marche.



## Whirlpool contrôle

L'action à remous dans votre salle de bain est influencée par trois facteurs - la direction de l'écoulement, la force de l'eau, et la force de l'air. Toutes les baignoires fabriquées par Jacuzzi Whirlpool Bath sont équipées de jets réglables® TheraPro, qui sont réglables pour les trois facteurs. Certaines baignoires sont autres biréacteurs directionnelle réglable qui peut être réglé pour la direction et le débit d'air ne.

### Direction

Pour changer la direction de l'écoulement de l'eau, faire pivoter la buse à l'angle désiré. Les jets peuvent être adressées individuellement vers n'importe quel endroit sur votre corps pour fournir un hydromassage. Les jets peuvent également être ajustées afin qu'elles pointent toutes dans la même direction (droite ou gauche) pour faire circuler l'eau dans un mouvement circulaire autour de la baignoire, provoquant un effet de remous total.

### Force de Eau

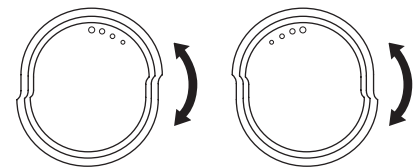
Le volume élevé, jets réglables peut être ajustée pour contrôler la force de l'eau entrant dans le bain. Pour une action énergique, augmenter la force de l'écoulement en tournant les poignées du jet vers la gauche (à gauche). Pour un effet plus doux, faites tourner les poignées vers la droite (sens horaire).



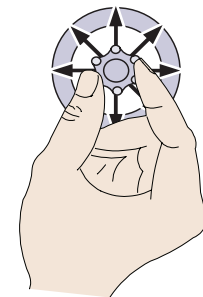
Ne jamais faire fonctionner le système tourbillon avec tous les jets fermé.

### Force de l'air

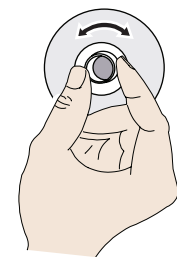
Deux boutons situés sur le bain de servir de témoins pour le système d'admission d'air. L'intensité de l'action à remous hydromassage est déterminée par la quantité d'air intronisé dans l'eau. Comme la quantité d'air est augmenté, les hausses de l'action d'hydromassage. Pour l'induction d'air maximum, tourner les boutons de commande complètement vers la gauche à la plus grande cercles. Pour moins de bulles d'air, réduire le montant de l'induction de l'air en tournant le bouton de commande dans le sens horaire. Lorsque les boutons sont tournés vers le plus petit des cercles, que l'eau est distribuée



Boutons de contrôle aérien à induction



Grand Jets réglables



Petits jets multidirectionnels

## Purger le système Whirlpool

Pour enlever les accumulations de résidus du système baignoire à remous, il est recommandé que d'une baignoire à remous être nettoyés régulièrement. Pour de meilleurs résultats, cependant, nous vous recommandons de nettoyer votre baignoire à remous après chaque utilisation à l'aide, les systèmes Clean™, notre propre exclusive de nettoyer partie du système de plomberie spécialement conçu pour les baignoires à remous. Systems Clean™ est disponible grâce à un distributeur autorisé de Jacuzzi Whirlpool Bath ou en composant le nous au 1-800-288-4002.

## Baignoire additifs



Ne pas utiliser d'huile ou d'additifs à base d'huile baignoire.

Si vous souhaitez utiliser tout type de baignoire additif, utilisez uniquement une petite quantité de faible formation de mousse ou de la substance en poudre de cristal, l'action Whirlpool intensifie les propriétés moussantes du savon.

L'utilisation d'huiles baignoire certains, bains moussants, les additifs et baignoire peut augmenter le niveau des accumulations de résidus de baignoire à remous dans le système et peut entraîner fausse lecture des capteurs de niveau d'eau. Si une accumulation excessive persistent, vous devriez cesser d'utiliser ces produits.

## Entretien

Pour nettoyer la baignoire, il suffit d'utiliser un détergent doux, non abrasif solution de détergent liquide. Vous pouvez protéger et restaurer le lustre d'une surface acrylique émoussé par l'application de Meguiar's # 10 Mirror Glaze, un produit spécialement conçu pour une utilisation sur les finis acryliques. Si Meguiar's n'est pas disponible, utilisez une amende composé grade frottant automobile suivie par une application de cire en pâte de l'automobile.



Ne jamais utiliser de nettoyeurs ménagers abrasifs sur n'importe quel produit de luxe jacuzzi.

## Surface de réparation

Égratignures mineures qui ne pénètrent pas la couleur de finition peut être retiré en ponçant légèrement avec 600-grain verre mouillé / sec. Restaurer le brillant en utilisant Meguiar's Mirror Glaze ou cire en pâte de l'automobile. Major rayures et les gouges qui pénètrent la surface en acrylique, il faudra de finition. Baignoire jacuzzi Appel de luxe de trouver un agent de service dans votre région.

## Entretien couvercle d'aspiration/Filtre

Nettoyez le couvercle d'aspiration / crépine de cheveux et de débris en cas de besoin.

- 1 Retirer la vis centrale et détacher le couvercle d'aspiration.
- 2 Nettoyez le couvercle en rétrolavage des débris provenant des trous.
- 3 Remplacer le couvercle d'aspiration immédiatement après le nettoyage.

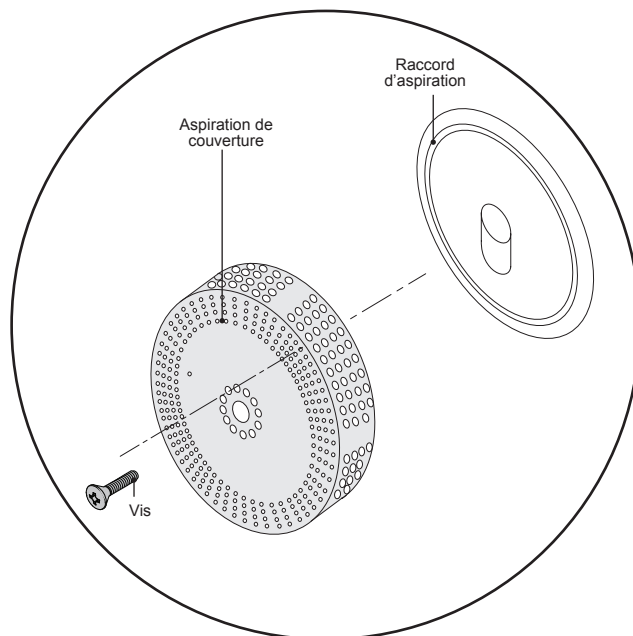


Garder les cheveux un minimum de 6 pouces (152 mm) du raccord d'aspiration à tout moment lorsque le système tourbillon est en marche. Cheveux mi-longs de plus de doivent être fixés près de la tête, ou d'un bonnet de bain doivent être portés.



Ne pas faire fonctionner le système tourbillon avec le couvercle d'aspiration / crépine cassée, damamged ou enlevé!

Il s'agit d'un dispositif de sécurité et doit toujours être en place sur le raccord d'aspiration afin de minimiser le risque potentiel de cheveux et le corps provocation policière.



**Procédures de dépannage**

PROBLEME	PROBABLE CAUSES	RECOURS
Pompe / moteur ne démarre pas	Aucun pouvoir de pompe / moteur Pompe / moteur n'est pas branché	Reset GFCI Insérer la fiche dans la prise en toute sécurité Assurez-vous que le tuyau utilisé pour activer la pompe / moteur est bien serré au bas de l'interrupteur ON / OFF clavier de contrôle et à l'air passer sur le dos du moteur.
	Pompe / moteur défectueux	Baignoire jacuzzi de luxe Contact @ 800-288-4002
Pompe / moteur fonctionne, mais pas les jets multidirectionnels ou réglable	Jets sont fermés	Jets Ouvrir en tournant dans le sens antihoraire
	Couvrir d'aspiration / filtre peut être obstrué	Avec le moteur éteint, retirez le couvercle d'aspiration / filtre et enlever les débris. Remettez le couvercle d'aspiration avant de faire fonctionner
Pompe / moteur fonctionne, mais l'air n'est pas injecté dans l'eau	Les soupapes à air sont fermées	Ouvrir les vannes de contrôle aérien
Les fuites d'eau des syndicats de la pompe	Trop serré, le joint torique peuvent être coincés ou mal installés, undertightened	Desserrer les syndicats, vérifiez et rectifiez O-ring. Si le joint torique a été pincé hors de forme, remplacer (voir numéro ci-dessous). Lorsque écrous de serrage, handtighten seulement.
Pompe / moteur s'éteint de lui-même avant l'expiration du délai	Pompe / moteur s'éteint de lui-même avant l'expiration du délai	Laisser refroidir le moteur, la protection thermique se réinitialise. Assurez une ventilation suffisante (tension d'alimentation à cocher)
	GFCI déclenché	Réinitialiser le GFCI. Si elle continue à se déclencher, de ne pas utiliser cet appareil. Débranchez l'appareil et le problème corrigé par un électricien agréé avant d'utiliser.
	Câblage d'alimentation insuffisante	Consulter un électricien agréé pour remplacer l'unité de câblage.



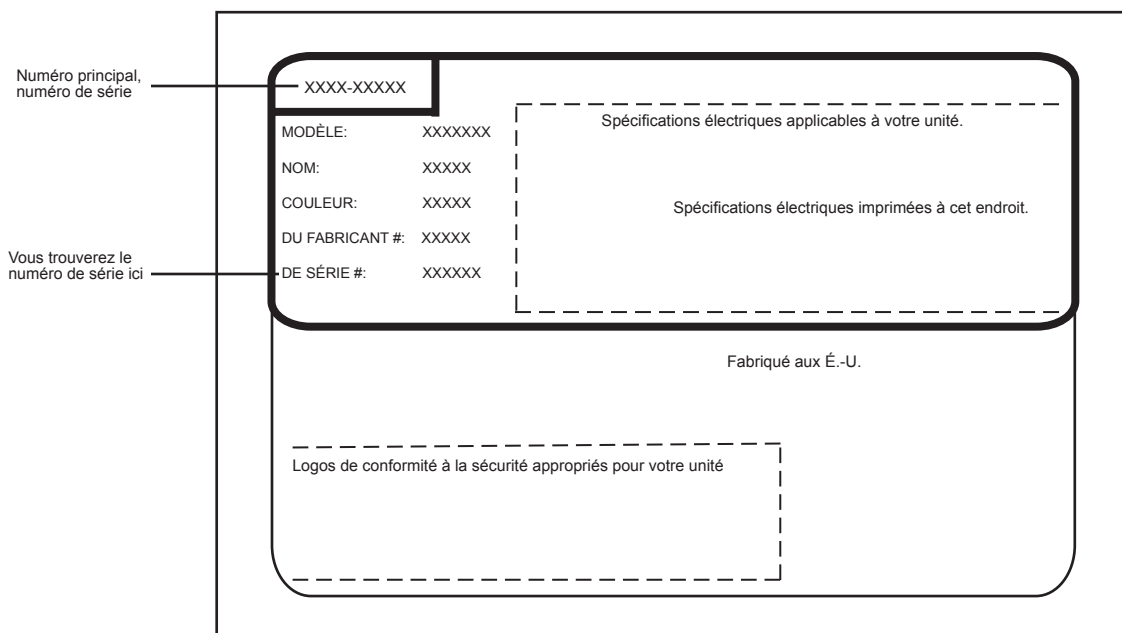
Si l'appareil est dans la période de garantie, Jacuzzi Whirlpool Bath contact Service d'appui au 1-800-288-4002 avec le numéro de série de votre salle de bain avant le début des travaux. Le numéro de série est situé sur la spécification / plaque signalétique Nombre.

## Autorisé Service

Si vous avez besoin d'une référence pour une entreprise de service près de chez vous ou si vous avez des questions concernant le fonctionnement ou l'entretien, veuillez communiquer avec notre service à la clientèle au 1-800-288-4002. Visitez notre site Web à <http://www.jacuzzi.com> pour les produits, les services et une copie en ligne de ces directives d'installation et d'utilisation.

Lorsque vous demandez une visite de service ou de l'aide technique, ayez le modèle et le numéro de série de votre unité à la portée de la main. Ces renseignements se trouvent sur la fiche d'enregistrement du produit fournie avec votre unité. Si la fiche a été égarée, ces renseignements se trouvent sur l'étiquette de spécifications/numéro de série située sur l'unité elle-même. Cette étiquette se trouve sur le mur de la baignoire près du moteur du ventilateur.

### ÉTIQUETTE DE SPÉCIFICATIONS/NUMÉRO DE SÉRIE



LES SPÉCIFICATIONS DU PRODUIT PEUVENT ÊTRE MODIFIÉES SANS PRÉAVIS.

UTILISEZ LE MANUEL DE SPÉCIFICATIONS TECHNIQUES FOURNI AVEC CE PRODUIT.

Jacuzzi® Luxury Bath a obtenu les classifications de code (normes) applicables habituellement offertes à l'échelle nationale pour les produits de ce type. L'installateur/le propriétaire doivent déterminer la conformité au code local précis avant d'installer le produit. Jacuzzi® Luxury Bath n'effectue aucune représentation ou garantie relatives à la conformité au code et elle ne sera pas responsable de cette dernière.

Jacuzzi® Luxury Bath

14525 Monte Vista Ave.

Chino, California, 91710 É.-U.

1-800-288-4002

[www.jacuzzi.com](http://www.jacuzzi.com)



## Garantie limitée à vie sur les baignoires de marque Jacuzzi de la Collection Espree

### COUVERTURE DE LA GARANTIE

Jacuzzi Whirlpool Bath (la « société ») offre la garantie limitée à vie expresse suivante à l'acheteur d'origine (« utilisateur ») d'une baignoire à remous Jacuzzi® offerte dans la collection Espree™ de la société ayant fait l'achat d'une baignoire pour un usage personnel ou résidentiel en maison individuelle: La société réparera ou remplacera, à sa discrétion, la baignoire ou son équipement, conformément aux termes et conditions suivants:

#### GARANTIE À VIE SUR LES BAIGNOIRES

La société étend à l'utilisateur de la baignoire une garantie à vie limitée non transférable concernant l'intégrité structurelle et la configuration de la coque, ainsi que l'absence de fuites d'eau provenant d'un défaut de coque de la baignoire. Cette garantie couvre uniquement la coque de la baignoire et la pompe, les jets, les commandes et le ventilateur installés par le fabricant contre tout défaut de main d'œuvre et de fabrication. Cette garantie ne s'applique pas aux modèles d'exposition ou à toute option ou tout accessoire couverts par la garantie limitée de quatre-vingt-dix (90) jours indiquée ci-dessous.

La couverture de la garantie commence à la date d'achat d'origine de l'unité par l'utilisateur et à réception par la société de la fiche de garantie entièrement remplie, tel que décrit ci-dessous.

#### GARANTIE D'UN AN SUR LA MAIN D'ŒUVRE POUR TOUS LES COMPOSANTS INSTALLÉS EN USINE:

Notre garantie limitée sur la main d'œuvre est valable pour une période d'un (1) an à partir de la date d'achat d'origine par l'utilisateur, mais ne dépassant pas deux (2) ans à partir de la date de fabrication. Tous les composants installés en usine (par exemple, la pompe, le moteur, le ventilateur et la plomberie) sont couverts par notre garantie sur la main d'œuvre contre les pannes dues à des vices de fabrication et de main d'œuvre.

#### GARANTIE LIMITÉE D'1 AN (PIÈCES UNIQUEMENT) SUR LE CHAUFFAGE EN OPTION

Notre garantie limitée sur notre chauffage en option est valable pour un (1) an pour les pièces uniquement et exclut la main d'œuvre. La couverture de la garantie commence à la date d'achat du chauffage en option pour une utilisation sur les baignoires Espree uniquement.

#### GARANTIE LIMITÉE DE 90 JOURS (PIÈCES UNIQUEMENT) SUR LES AUTRES OPTIONS ET ACCESSOIRES

Notre garantie couvre les options et les accessoires fabriqués pour la société mais non installés en usine (par exemple, les kits de becs de remplissage, les kits d'organes internes, les jupes, les oreillers) contre les vices de main d'œuvre et de fabrication. La couverture de la garantie commence à la date d'achat d'origine de l'option ou de l'accessoire par l'utilisateur. Ces articles peuvent être couverts par une garantie du fabricant qui peut offrir une durée de garantie plus longue que cette garantie limitée. Veuillez confirmer auprès du fabricant la durée de la garantie appropriée pour les options et les accessoires.

#### LIMITES DE LA GARANTIE

Notre garantie limitée ne couvre pas les défauts, les dommages ou les pannes causés par le transporteur général, l'installateur, l'utilisateur ou d'autres personnes, les animaux domestiques ou les rongeurs, ou par les faits suivants, de manière non limitative: manipulation négligente (levage de l'unité par la plomberie, abrasant la finition, etc.), y compris notamment sa propre négligence; modification quelconque pour une raison quelconque (y compris les modifications faites pour conformité aux codes locaux); mauvaise installation (y compris installation non conforme aux instructions et aux spécifications fournies avec l'unité); connexions fournies par l'installateur de l'équipement; alimentation électrique incorrecte ou modification électrique non autorisée; utilisation incorrecte; fonctionnement incorrect, y compris entretien de routine insuffisant; fonctionnement de l'unité sans la quantité d'eau minimum spécifiée ou avec de l'eau à une température inappropriée; utilisation de nettoyeurs abrasifs ou inappropriés; catastrophes naturelles, telles que foudre, inondations, tremblements de terre, etc.

En outre, LA SOCIÉTÉ NE SERA PAS RESPONSABLE DES DOMMAGES ACCESSOIRES OU INDIRECTS, des pertes découlant de toute cause (par exemple, dégâts des eaux sur les tapis, plafonds, carrelage, marbre, perte de jouissance, etc.) y compris sa propre négligence, des dommages concernant ou résultant de: pièces galvanisées lorsque des produits chimiques pour piscine et/ou cuve thermale sont utilisés dans l'unité ou conditions d'eau dure; équipement de baignoire en option non fabriqué par la société mais fourni par le distributeur, l'installateur ou la société; utilisation antérieure de l'unité en tant que modèle de démonstration; défauts qui auraient dû être découverts avant l'installation.

Cette garantie limitée n'inclut pas: la main d'œuvre, le transport, ni les autres coûts occasionnés lors du retrait et/ou de la réinstallation de l'unité d'origine et/ou de l'installation d'une unité de rechange; les coûts liés à l'obtention d'un accès pour la réparation; les dommages dus à la perte de jouissance, y compris les pertes de nature commerciale ou les manques à gagner de toutes sortes et sous n'importe quelle circonstance. Les baignoires sont exclues de toute couverture de garantie si un ajout, un retrait ou une modification quelconque et de toute nature a été effectué sur l'unité (ou l'un de ses composants).

La couverture de garantie est fournie pour les États-Unis d'Amérique et le Canada uniquement.

#### EXCLUSION DE GARANTIES IMPLICITES

LES GARANTIES IMPLICITES DE QUALITÉ MARCHANDE OU D'ADAPTATION À UN BUT PARTICULIER SONT DÉNIÉES COMPLÈTEMENT OU DANS LA PLUS GRANDE MESURE PERMISE PAR LA LOI.

AVIS: Cette garantie octroie des droits spécifiques et d'autres droits pouvant varier d'un état ou province à l'autre peuvent également exister. Il n'existe pas de garanties applicables aux produits de Jacuzzi Whirlpool Bath autres que celles expressément déclarées dans ce document et découlant des lois fédérales et des États. La société ne sera pas responsable des déclarations et des représentations faites sous toute forme, s'étendant au-delà, dépassant ou étant inconsistantes avec la documentation autorisée et les spécifications fournies par la société.

Certains États ne permettant pas de limitations de durée sur les garanties implicites, ou l'exclusion et la limitation des dommages accessoires et consécutifs, les limitations et exclusions ci-dessus peuvent ne pas s'appliquer.

## RETOUR DE L'ENREGISTREMENT DE LA GARANTIE

Pour enregistrer votre produit, veuillez visiter notre site Web, Jacuzzi.com, cliquez sur « Bath and Showers » (baignoires et douches), puis sélectionnez ONLINE WARRANTY REGISTRATION (enregistrement de la garantie en ligne) dans la partie supérieure de la page. On vous demandera d'entrer le numéro de série de votre produit, suivi des renseignements d'enregistrement de votre garantie. Ou encore, vous pouvez aussi enregistrer votre produit en remplissant la fiche ci-dessous et en l'envoyant à Jacuzzi à l'adresse indiquée.

L'enregistrement de garantie ci-joint DOIT être rempli par l'acheteur dans un délai de trente (30) jours de l'achat et reçu par Jacuzzi Luxury Bath afin que cette garantie soit en vigueur.

### RESPONSABILITÉS DES AUTRES

L'installateur ou l'entrepreneur qui agit au nom de l'Utilisateur doit examiner l'unité avant de l'installer. Il doit s'assurer que l'unité est libre de défauts ou de dommages. Des avis sont placés sur et dans l'unité ainsi que sur la boîte d'expédition avisant l'installateur de cette responsabilité. En cas de problème, l'unité ne doit pas être installée. L'Entreprise n'est pas responsable des pannes ou des dommages qui auraient pu être découverts, réparés ou évités grâce à une inspection et un essai adéquats (y compris un essai d'eau approprié) avant l'installation.

Le transporteur est responsable des dommages qui surviennent pendant le transport. L'Utilisateur ou l'installateur DOIT ouvrir la boîte et examiner l'unité lorsqu'elle est livrée. Si des dommages sont découverts, ils doivent être immédiatement signalés au vendeur et au transporteur par écrit et une inspection doit être demandée. Si le transporteur ne répond pas, vous devez le signaler au vendeur et au transporteur. Vos réclamations de transport doivent être présentées dans un court délai.

L'installateur et/ou l'entrepreneur sont responsables des dommages survenant pendant l'installation et l'Utilisateur est responsable des dommages survenant par la suite.

Le fabricant d'équipement est entièrement responsable de toute défaillance des équipements en option à l'exception de ce qui est prévu ci-dessus et cette responsabilité ne se prolonge pas ou ne s'applique pas aux pièces de rechange pour les options et les accessoires. Les pièces de rechange seront couvertes par le fabricant original de l'équipement.

Le distributeur ou le dépositaire doit connaître les exigences relatives aux codes locaux et aviser l'entrepreneur qui effectuera l'installation et/ou l'Utilisateur de ces exigences au moment de l'achat. L'Entreprise n'est pas responsable des frais encourus pour modifier un produit pour se conformer à un code, comme les codes de construction de la ville, du conté ou de l'État aux États-Unis ou les codes municipaux ou provinciaux au Canada.

### SERVICE DE GARANTIE

Pour la commodité des clients, l'Entreprise conserve une liste de réparateurs indépendants qui effectuent les réparations requises en vertu de la garantie. Ces personnes ne sont pas des agents ou des représentants de l'Entreprise et ne peuvent pas lier l'Entreprise par leurs paroles ou leur comportement.

L'Entreprise fournit le service de garantie décrit ci-dessus lorsque les conditions suivantes sont respectées : la panne est de nature ou de type couvert par la garantie; l'Utilisateur a informé l'agent de service Jacuzzi Luxury Bath autorisé ou un représentant du service de la garantie de la nature du problème pendant la période de garantie; des preuves concluantes (par ex., une preuve d'achat ou d'installation) est fournie par l'utilisateur prouvant que la panne s'est produite ou a été découverte pendant la période de garantie; un réparateur indépendant autorisé ou un représentant de l'Entreprise a eu la permission d'inspecter l'unité pendant les heures normales d'affaire dans un délai raisonnable après la signalisation du problème par l'Utilisateur. Afin d'obtenir le service en vertu de la garantie, communiquez avec Jacuzzi Luxury Bath à :

jacuzzi.com

ou

Service de garantie

14525 Monte Vista Ave.

Chino, California 91710 É.-U.

Composez le : 1-(800) 288-4002

Pour obtenir un remplacement de garantie pour les composants installés en usine pour les options et les accessoires fournis par l'Entreprise et fabriqués et fournis par l'Entreprise, composez le numéro ou écrivez à l'adresse indiqués ci-dessus.

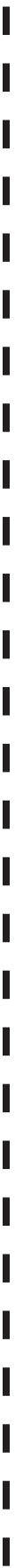
Fournissez une description du problème et une preuve d'achat. On vous indiquera comment obtenir des pièces de rechange et où retourner, à vos frais, le(s) composant(s), l'option (les options) ou l'accessoire (les accessoires) défectueux.

Toutes les pièces ou l'équipement de rechange et les réparations seront garantis pendant la période de garantie restante de la(es) pièce(s) remplacée(s).

L'obligation de garantie de l'Entreprise sera acquittée au moment de la remise du remplacement ou de la réparation. Si le client refuse le remplacement ou la réparation, l'obligation de garantie de l'Entreprise est alors terminée.

Garantie limitée  
de quatre-vingt-dix  
jours  
seulement sur les  
pièces des  
accessoires

JACUZZI LUXURY BATH  
U961000M



Jacuzzi® Luxury Bath  
14525 Monte Vista Avenue  
Chino, California 91710



## FICHE D'ENREGISTREMENT DE LA GARANTIE



Pour effectuer votre enregistrement, visitez notre site Web à [www.jacuzzi.com](http://www.jacuzzi.com) ou remplissez et postez cette fiche à l'adresse indiquée au verso, et ce, dans un délai de trente (30) jours de la date d'achat afin que cette garantie soit en vigueur.

Nom de l'acheteur \_\_\_\_\_

Adresse de l'acheteur \_\_\_\_\_

Ville \_\_\_\_\_ Province \_\_\_\_\_ Code postal \_\_\_\_\_

Téléphone à la maison \_\_\_\_\_ Cell Phone \_\_\_\_\_

Email: \_\_\_\_\_

Date d'achat \_\_\_\_\_

Nom du modèle \_\_\_\_\_

Numéro de série \_\_\_\_\_

Nom du dépositaire \_\_\_\_\_

Adresse du dépositaire \_\_\_\_\_

1. Comment avez-vous entendu parler de ce produit Jacuzzi® ?

- Publicité  Article dans une revue/un journal
- Visité un dépositaire/fournisseur de plomberie  Pages jaunes
- Constructeur/plombier/rénovateur  Décorateur/architecte
- Visité un détaillant/magasin de rénovation
- Bouche à oreille . . . Ami/parent/connaissance
- Autre (veuillez préciser) \_\_\_\_\_

2. Qui est la première personne vous ayant donné des renseignements précis au sujet de ce produit (spécifications, prix, etc.)?

- Dépositaire/fournisseur de plomberie  Constructeur  Rénovateur
- Entrepreneur en plomberie  Détaillant/magasin de rénovation
- Décorateur/architecte  Déjà installé

3. Quelle était la principale raison de votre achat?

- Style  Service de garantie  Caractéristiques du produit
- Nom de la marque  Prix  Hydrothérapie
- Revente de la résidence \_\_\_\_\_
- Autre \_\_\_\_\_

4. Qui a finalement choisi le produit que vous avez acheté?

- Moi  Mon conjoint  Moi et mon conjoint ensemble
- Autre membre de la famille  Décorateur/architecte
- Constructeur/plombier/rénovateur  Déjà installé

5. Qui l'a installé?  Déjà installé/nouvelle résidence

- Entrepreneur/plombier lors de la rénovation
- Moi/mon conjoint lors d'une rénovation
- Autre \_\_\_\_\_

6. Quelle est la valeur actuelle sur le marché de cette propriété?

Veuillez l'évaluer en dollars

7. Quel est l'âge du chef du ménage? \_\_\_\_\_ ans

8. Quel autre fabricant avez-vous considéré?

- Eljer  Lasco  Price Pfister  Aqua Glass
- Kohler  American Standard  Sterling
- Autre (précisez) \_\_\_\_\_

9. Combien de temps avez-vous magasiné avant d'acheter cette unité?

- 1 jour  2 à 6 mois
- 2 à 7 jours  6 mois à 1 an
- 1 à 2 semaines  1 à 2 ans
- 2 à 4 semaines  +2 ans
- 1 à 2 mois

10. Depuis combien de temps approximativement habitez-vous dans cette résidence? \_\_\_\_\_

11. Veuillez indiquer, approximativement, le revenu annuel total de votre ménage

- Jusqu'à 24 999 \$  50 000 à 74 999 \$
- 25 000 à 29 999 \$  75 000 à 99 999 \$
- 30 000 à 39 999 \$  100 000 à 149 999 \$
- 40 000 à 49 999 \$  150 000 \$ et plus

12. Est-ce que votre processus d'achat a été...?

- Très facile  Facile  Difficile  Très difficile

13. Est-ce que vous connaissiez le système de jets breveté de Jacuzzi avant votre achat?

- Non, je ne le connaissais pas  Je le connaissais un peu  Je le connaissais très bien

Garantie limitée  
 de quatre-vingt-dix  
 jours  
 seulement sur les  
 pièces des  
 accessoires



**ESPREE™ BAÑERA  
SERIE**

**INSTALACIÓN Y OPERACIÓN DE INSTRUCCIONES**

**Jacuzzi® Luxury Bath**

14525 Monte Vista Avenue  
Chino, CA 91710  
1-800-288-4002  
[www.jacuzzi.com](http://www.jacuzzi.com)



**Contenido**

Introducción.....	60
Inspección y prueba.....	61
Estructura.....	62
Conexiones eléctricas.....	63
Drop-in de instalación.....	65
3-Instalación en la pared alcoba.....	67
Falda de instalación.....	67
Limpieza.....	68
Operación.....	68
Whirlpool Control.....	69
Purgar el sistema de hidromasaje.....	70
Bañera Aditivos.....	70
Mantenimiento.....	70
Procedimientos para resolver problemas.....	71
Servicio técnico autorizado.....	72
Warranty.....	73

**Información sobre el producto**

Conserve estas instrucciones para uso futuro. Utilice el formulario a continuación para registrar su modelo y número de serie para referencia futura.

Fecha de la compra \_\_\_\_\_

Comprado a \_\_\_\_\_

Instalado por \_\_\_\_\_

Número de serie \_\_\_\_\_

Modelo \_\_\_\_\_

**Instalador:** Deje el manual para el propietario.

**Propietario:** Lea este manual y consérvelo para referencia futura.


**Instrucciones de seguridad**

LAS INSTRUCCIONES RELATIVAS A UN RIESGO DE INCENDIO, CHOQUE ELÉCTRICO, O LESIONES A PERSONAS.

Este es un producto de calidad profesional. El conocimiento de las técnicas de construcción, fontanería e instalación eléctrica de acuerdo a los códigos son necesarios para la correcta instalación y la satisfacción del usuario. Se recomienda que un contratista con licencia realizar la instalación de todos los productos Jacuzzi® Baño de lujo. Nuestra garantía no cubre la instalación incorrecta problemas relacionados.


 **PRECAUCIÓN:** Al utilizar esta unidad, siempre las precauciones básicas, debe procederse al incluyendo las siguientes:

- **LEA Y SIGA TODAS INSTRUCCIONES. GUARDE ESTAS INSTRUCCIONES.**
- Utilice esta unidad solamente para el uso que se describe en este manual. No utilice accesorios no recomendados por el fabricante.
- Nunca deje caer ni inserte ningún objeto en ninguna abertura.

 **ADVERTENCIA: RIESGO DE LESIÓN POR ACCIDENTE O AHOGARSE!**  
No permita que los niños utilicen esta unidad a menos que estén estrechamente supervisados en todo momento. No utilice a menos bañera de hidromasaje todos los dispositivos de aspiración son instalados para prevenir que el cuerpo y el cabello atrapamiento. No utilice nunca la bañera de hidromasaje, si la succión cubierta está rota, dañada o faltante.











 **PELIGRO: RIESGO DE GRAVES LESIONES POR DESCARGA ELÉCTRICA O LA MUERTE DE ELECTROCUCIÓN!**

Esta unidad sólo debe conectarse a un circuito de alimentación que se protegido por un interruptor de 15 amperios de circuito por falla a tierra (GFCI). Tal GFCI debe ser proporcionada por el instalador y deben someterse a pruebas en un manera rutinaria. Para probar el GFCI, empuje el botón de prueba. El GFCI debe interrumpir la alimentación eléctrica. Presione el botón de reinicio. Conviene, restaurado. Si el GFCI no funciona de esta manera, el GFCI defectuoso. Si el GFCI interrumpe la alimentación eléctrica a la bañera sin la prueba botón que está siendo empujado, una tierra de corriente está fluyendo, lo que indica una posibilidad de una descarga eléctrica. No utilice este hidromasaje bañera. Desconecte la bañera de hidromasaje y tienen la problema corregido por un representante de servicio calificado antes de usar.

 **ADVERTENCIA: RIESGO DE DESCARGA ELÉCTRICA!**  
No permita que los aparatos eléctricos (como un secador de pelo, luz eléctrica, teléfono, radio o televisión) dentro de los 60 "(1524 mm) de este bañera de hidromasaje. Conecte solamente a un circuito protegido por un falla a tierra interruptor de circuito (GFCI). (Para conexión permanente unidades) Un terminal de color verde (o un conector de cable) marcada "G" "GR", "tierra", o "Tierra" se facilita en el terminal de compartimiento. Para reducir el riesgo de descarga eléctrica, conecte el terminal o conector al terminal de tierra de su electricidad servicios o de suministro del panel con un conductor del mismo tamaño a la conductores del circuito de alimentación del equipo.



**Normas de seguridad (Cont.)**

-  **ADVERTENCIA:** No opere esta unidad sin la protección sobre el consumo de la bomba de circulación (tapa de succión y el filtro).
-  **PRECAUCIÓN:** Este equipo está diseñado para uso en interiores. Instale el equipo de acuerdo con estas instrucciones. Uso de suministro cables que son adecuados para 167 ° F (75 ° C), incluida la clasificación de temperatura de los conductores de alimentación a utilizar. Esta unidad debe estar conectada a tierra e instalado por una licencia contratista, electricista, plomero y. Materiales de construcción y el cableado se deben colocar lejos del motor y la bomba o un ventilador o otros componentes que produzcan calor de esta unidad. Una presión conector de cable se proporciona en el exterior del motor / bomba y el calentador para permitir la conexión de un N ° 8 AWG de cobre sólido conductor que pega entre esta unidad y todos los demás eléctrica equipo y el metal expuesto en las proximidades, según sea necesario para cumplir con las exigencias locales.
-  **Al utilizar los equipos eléctricos, las precauciones básicas de seguridad deben seguirse, incluyendo las siguientes:**
-  **ADVERTENCIA:** RIESGO DE LESIÓN ACCIDENTAL O AHOGARSE! NIÑOS NO DEBE USAR BAÑERA DE HIDROMASAJE, SIN SUPERVISIÓN DE UN ADULTO.
-  **ADVERTENCIA:** RIESGO DE ACCIDENTE O DE AHOGARSE! NO BAÑERA DE HIDROMASAJE USO A MENOS QUE TODOS ASPIRACIÓN LOS GUARDIAS SE HAN INSTALADO PARA EVITAR QUE EL CUERPO Y EL CABELLO ATRAPAMIENTO.
-  **ADVERTENCIA:** PARA EVITAR LESIONES, TENGA CUIDADO AL ENTRAR O SALIR DE LA BAÑERA DE HIDROMASAJE.
-  **ADVERTENCIA:** RIESGO DE LESIÓN ACCIDENTAL O AHOGARSE! NO CONSUMEN DROGAS O ALCOHOL ANTES O DURANTE LA USO DE UN TINA DE HIDROMASAJE CON UN CALENTADOR PARA EVITAR INCONSCIENCIA Y POSIBLE AHOGAMIENTO.
-  **ADVERTENCIA:** RIESGO DE LESIÓN FETAL! EMBARAZADA O POSIBLEMENTE MUJERES EMBARAZADAS DEBEN CONSULTAR A UN MÉDICO ANTES USANDO UN TINA DE HIDROMASAJE CON UNA CALENTADOR.
-  **ADVERTENCIA:** RIESGO DE MORIR AHOGADO HIPERTERMIA Y POSIBLES: NO NO USE UN TINA DE HIDROMASAJE CON UNA CALENTADOR INMEDIATAMENTE DESPUÉS DE EJERCICIO EXTENUANTE.
-  **GUARDE ESTAS INSTRUCCIONES**

**Instrucciones de Seguridad Operacional****ADVERTENCIA: RIESGO DE HIPERTERMIA Y POSIBLE AHOGAMIENTO!**

No use una tina de hidromasaje con un calentador inmediatamente después de ejercicio vigoroso.

**ADVERTENCIA: RIESGO DE CHOQUE ELÉCTRICO!**

- No utilice el sistema de hidromasaje a menos que el baño está lleno de agua a por lo menos 1-2 " (25-51 mm) por encima del jet más alto.
- No sumerja el panel de control por el llenado excesivo del baño.
- Al limpiar el baño, no use sustancias abrasivas que puedan dañar el baño de la superficie.
- Para evitar la decoloración del acabado acrílico, no llene el baño con agua por encima de 140 ° F (60 ° C).

**ADVERTENCIA: LA INMERSIÓN PROLONGADA EN AGUA CALIENTE PUEDE PROVOCAR HIPERTERMIA!**

La hipertermia ocurre cuando la temperatura interna del cuerpo alcanza un nivel superior a la temperatura corporal normal de 98,6 ° F (37 ° C). Los síntomas de hipertermia incluyen un aumento en la temperatura interna del cuerpo, mareos, letargo, somnolencia y desmayos. Los efectos de la la hipertermia incluyen:

- A. La falta de percibir el calor.
- B. El no reconocer la necesidad de salir de la bañera.
- C. Desconocimiento del peligro inminente.
- D. Daño al feto en mujeres embarazadas.
- E. Incapacidad física para salir de la bañera.
- F. La pérdida del conocimiento, aumentando el riesgo de ahogamiento.










**ADVERTENCIA: RIESGO DE LESIÓN FETAL!**

Las mujeres embarazadas o que puedan estar embarazadas deben consultar a un médico antes de utilizar una tina de hidromasaje con un calentador.



**ADVERTENCIA:** Mantener el cuerpo y el cabello un mínimo de 6 " (152 mm) de la de succión en todo momento cuando el sistema de hidromasaje está en operación. El cabello largo hasta los hombros deben estar protegidos cerca de l a cabeza.

**Instrucciones de Seguridad Operacional (cont)**

-  **ADVERTENCIA:** El uso de alcohol, drogas o medicamentos puede aumentar enormemente el riesgo de hipertermia fatal. Las personas que usan medicamentos o tener una condición médica deben consultar a un médico antes de utilizar una tina de hidromasaje con un calentador.
-  **ADVERTENCIA:** No altere los controles efectuados por el usuario o soportes tales.
-  **ADVERTENCIA:** Utilice esta unidad solamente para el uso que se describe en este manual. No utilice accesorios no recomendados por el fabricante.
-  **ADVERTENCIA:** Para evitar lesiones, tenga cuidado al entrar o salir del bañera de hidromasaje.
-  **ADVERTENCIA:** No utilice bañera de hidromasaje a menos que todos los guardias de succión se instalan para evitar que el cuerpo y el atrapamiento del cabello. Nunca operar en el baño de hidromasaje, si la tapa de succión está roto, dañado o no.
-  **ADVERTENCIA:** La temperatura del agua superior a 104 ° F (40 ° C) puede ser perjudicial para su salud. Controlar y ajustar la temperatura del agua antes de.
-  **PRECAUCIÓN:** Pruebe el interruptor de circuito por falla a tierra la protección de este aparato periódicamente de acuerdo con las instrucciones del fabricante.
-  **IMPORTANTE:** Lea las instrucciones completas de este manual antes de comenzar con la instalación.
-  **IMPORTANTE:** Para un funcionamiento óptimo, el nivel del agua debe mantenerse en 1 " " a 2 (25mm a 50mm) por encima del jet más alto y no utilice a base de aceite aditivos bañera en su bañera de hidromasaje.

La Compañía ha obtenido códigos correspondientes (standards) listados generalmente disponibles a nivel nacional para los productos de este tipo. Es responsabilidad de la instalador / propietario para determinar el cumplimiento de las normas locales específicas antes de la instalación del producto. La Compañía no hace ninguna representación, ni garantiza, y no será responsable de cualquier cumplimiento del código. Las especificaciones del producto están sujetas a cambios sin previo aviso.

## Introducción

El desagüe / rebosadero de la bañera se extiende por debajo de la parte inferior de la bañera. Tenga en cuenta que esto requiere un corte en el piso.

**La estructura del piso debajo de la bañera debe ser capaz de soportar un peso total de la bañera, el agua, y el ocupante. Consulte la tabla con el peso total de su modelo.**

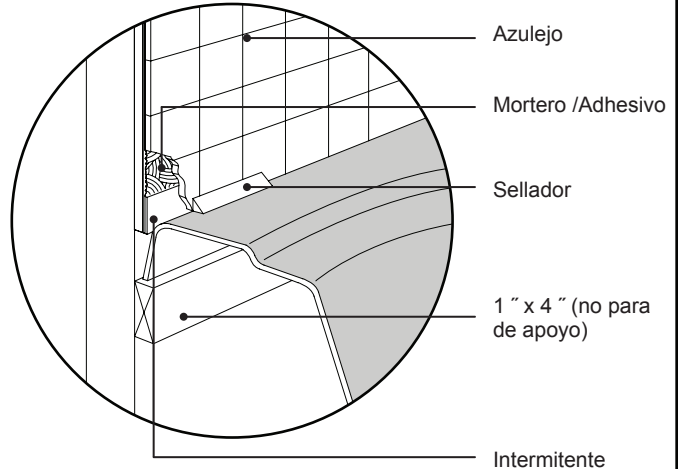
La unidad debe estar apoyado desde el fondo de la bañera y no desde el borde de la bañera o de la brida del azulejo. Si el subsuelo está nivelado y una superficie continua, sin otra preparación es necesaria. Usted puede proceder con la instalación de la bañera. Si el subsuelo no está nivelado, debe nivelar toda la superficie antes de instalar la bañera. El uso de materiales que calza o proporcionar un nivel de instalaciones se permite siempre que el método utilizado asegurará un baño de nivel que con el apoyo de la parte inferior. Los materiales que se pueden utilizar son un compuesto de nivelación suelo, mortero, yeso o espuma estructural de mínima expansión con una densidad de un mínimo de £ 5 / pies cúbicos, sin embargo, el baño debe seguir siendo el nivel a fin de que éste se filtre correctamente y todas las pies de espuma debe hacer pleno contacto con el material de nivelación. Las dos caras de una unión o empalme del contrapiso deben estar nivelados entre sí. Cuando baños con bridas de fijación al muro, coloque cuñas para rellenar los huecos entre el reborde de la bañera y los montantes.

El borde de la bañera no está hecho para soportar peso. Si el material de recubrimiento va a superponerse o póngase en contacto con el baño, el peso adicional no debe recaer la libre fijación supporting. When baños con bridas puntal de la pared, coloque cuñas para rellenar los huecos entre el reborde de la bañera y los montantes.

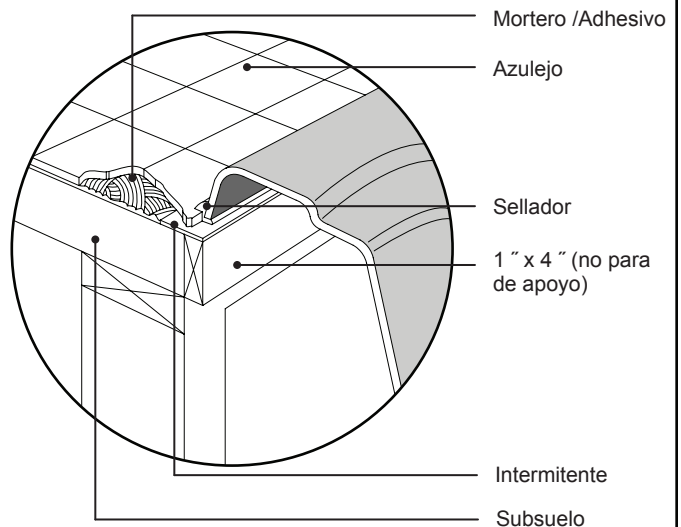


Si una falda se va a utilizar, debe ser instalado en el momento de la instalación de la unidad - se refieren a la falda instrucciones de instalación. Instale el marco de piezas opcionales cuando toda la instalación se ha completado.

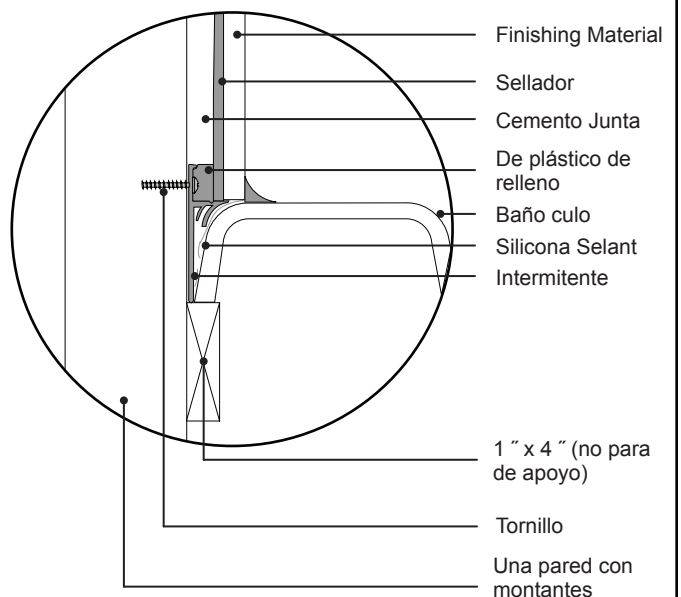
### Ras de la pared



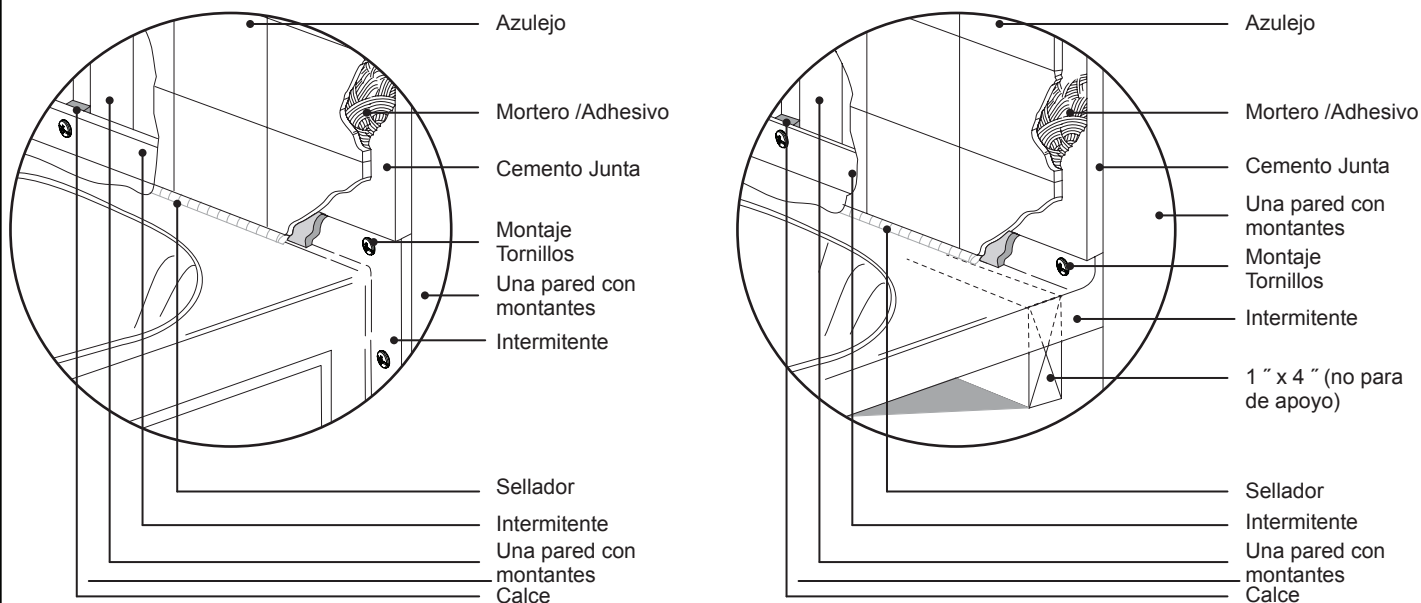
### SEMI-hundidos



### Azulejo Kit Opcional Brida



## Brida de montaje típico Detalle



Las calzas pueden utilizarse para reforzar, o cerca, hasta las lagunas que persisten entre la brida y la madera del montante.

## Inspección y prueba

### Inspección visual

- 1 Retire la bañera de la caja de envío. Tenga cuidado de no rayar la superficie de la bañera con las grapas expuestas. Retire las grapas o pléguelas hacia el interior de la caja. Conserve la caja hasta que la inspección del producto haya sido satisfactoria. Nunca levante la bañera sujetándola por la fontanería; solo hágalo por el armazón.
- 2 Inspeccione el armazón y los componentes de la bañera. En caso de que la inspección revele cualquier daño o defecto en el acabado o daño visible en los componentes, no instale la bañera. Los daños o defectos en el acabado reclamados después de la instalación de la bañera están excluidos de la garantía. La responsabilidad de Jacuzzi Luxury Bath por daños durante el transporte finaliza contra entrega de los productos en buen estado al transportista.
- 3 Presente sus reclamos por daños al transportista. Para conocer los términos de la cobertura y las limitaciones de la garantía, consulte la información publicada sobre la garantía embalada con el producto o al dorso de este manual.

### Verificación del funcionamiento y del agua de la bañera

El funcionamiento apropiado de todas las unidades y el buen estado de las conexiones herméticas son probados en fábrica antes del envío. No obstante, el instalador debe examinar la unidad nuevamente antes de la instalación. Jacuzzi Luxury Bath no se hace responsable de ningún defecto que pudiera haberse descubierto, reparado o evitado de haberse seguido este procedimiento de inspección y prueba:

- 1 Coloque la bañera sobre una superficie nivelada, cerca de un suministro eléctrico, suministro de agua y drenaje de agua adecuados. Una vía de acceso es una opción adecuada.
- 2 Selle el orificio de drenaje y de desborde con una cinta o un tapón y llene la bañera hasta la base del orificio de desborde.
- 3 Permita que el agua de la bañera repose por 5 minutos.
- 4 Conecte el motor/la bomba y encienda la unidad. Confirme que todas las características funcionen según se describe en la sección de Funcionamiento de este manual. No instale la bañera si no funciona como se describe.
- 5 Inspeccione visualmente todas las uniones para ver si existen pérdidas. No instale la bañera si se detectan pérdidas.
- 6 Vuelva a colocar la bañera en la caja o de lo contrario protéjala de daños hasta el momento de la instalación.

## Estructura

Se ha incluido un sección de especificaciones técnicas con su bañera. El Manual de especificaciones técnicas incluirá la información importante relacionada a su producto Jacuzzi Luxury Bath. Haga uso del Manual de especificaciones técnicas en este momento.

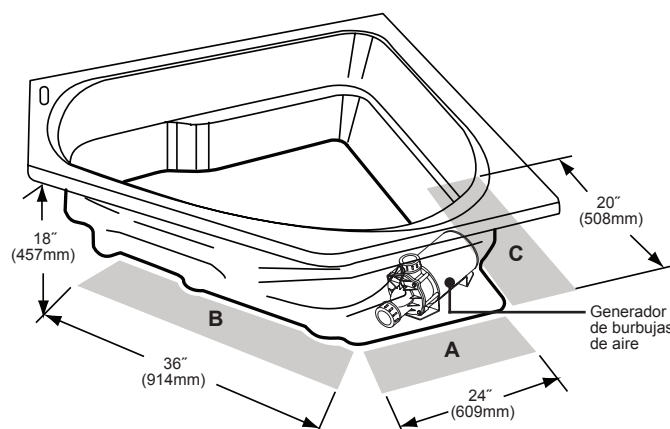
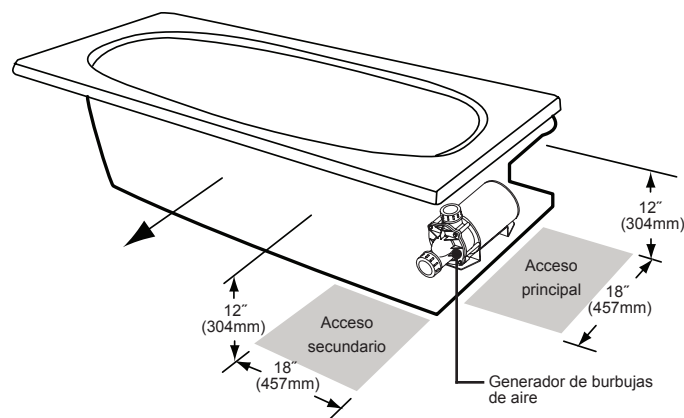
- Las dimensiones proporcionadas en los diagramas de instalación son nominales. Tome las medidas de su unidad al recibirla y construya conforme a las dimensiones reales.
- La estructura del piso debajo de la bañera debe poder soportar el peso total de la bañera, el agua y el ocupante.
- La bañera debe estar apoyada sobre su base, no sobre su borde. En el caso de instalaciones empotradas, tenga en cuenta el espesor del material de recubrimiento y del material de acabado (mármol, azulejo, etc.).
- Asegúrese de que el borde descansa en una superficie nivelada.
- Por norma, se debe facilitar el acceso al motor/la bomba de su modelo específico. Las ubicaciones principales y secundarias de acceso al servicio se muestran en los diagramas de instalación incluidos en el Manual de especificaciones técnicas. La Figura 1 muestra las ubicaciones comunes de acceso.



Es responsabilidad del instalador, el contratista de obra o el propietario proporcionar el acceso al servicio. Jacuzzi no se responsabiliza de ninguno de los costos relacionados con la obtención de accesos para efectuar reparaciones. El propietario debe soportar dichos costos y, si es apropiado, debe solicitar el reintegro del instalador.

- Provea una ventilación apropiada para el enfriamiento y un suministro de aire suficiente para el motor/la bomba. No coloque aislamiento alrededor del equipo.
- La bañera puede tener piezas del motor/la bomba que se prolongan más allá del borde de la bañera. Consulte los diagramas de instalación incluidos en el paquete de la garantía y la estructura para la construcción para ubicarla de forma correcta.

## Ubicaciones comunes de acceso



- A** = Acceso principal
- B** = Alternativa aceptable en caso de que el acceso **A** no sea posible
- C** = Acceso secundario para el equipo (opcional)

El acceso a la unidad por la izquierda se encuentra en el lado opuesto (en espejo).

## Contrapiso

Prepare el contrapiso para el drenaje y asegúrese de que el área esté nivelada.


- 1 El drenaje/desborde de la bañera se extiende por debajo de la parte inferior de ésta. Identifique la ilustración que corresponde a su bañera en el Manual de especificaciones técnicas.
- 2 Realice los cortes adecuados en el contrapiso para ubicar el drenaje.
- 3 La base Tru-Level™ de Jacuzzi es una característica estándar en todas las bañeras. Si el contrapiso está nivelado y tiene una superficie continua, no es necesario realizar otra preparación. Vaya a la sección "Instalación".
- 4 Si el contrapiso no está nivelado, debe nivelar toda la superficie antes de instalar la bañera. Los materiales utilizados asegurarán que la bañera esté sostenida desde la parte inferior. Estos materiales incluyen: compuesto de nivelación, mortero, yeso o espuma estructural de mínima expansión (con una densidad de un mínimo de 5 lb/pie cúbico). La bañera debe permanecer nivelada para que pueda drenar adecuadamente, y debe hacer contacto con el material de nivelación. Ambos lados de la unión o el empalme del contrapiso deben estar nivelados.

## Conexiones eléctricas

 Riesgo de descarga eléctrica. Realice la conexión solo a un circuito protegido por un GFCI.

 Al utilizar productos eléctricos, siempre debe tomar las siguientes precauciones básicas:

- Siempre siga los códigos para el sistema eléctrico y de construcción locales.
- Es necesario una conexión a tierra. La unidad debe ser instalada y conectada a tierra por un electricista calificado.


 Un calentador viene de serie en todos los modelos Espree™ baño de la esquina.


Dos circuitos separados con protección GFCI son obligatorios.


Un independiente, 120VAC, 15 Amperios GFCI es necesaria para la bomba o el motor.


Si va a instalar el calentador opcional, una separada y dedicada 120VAC, 15 Amperios, GFCI protegidas se requiere.

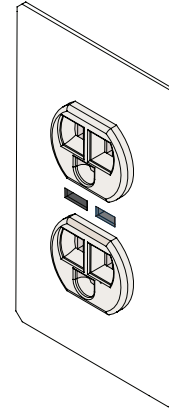
Si va a instalar el calentador opcional, por favor vaya a la instalación prevista y manual de instrucciones que viene con el calentador.

 Riesgo de sobrecalentamiento de los componentes. No use el cable de extensión eléctrica para alimentar esta unidad.

 En la instalación inicial, el sistema de control electrónico entra en un programa de diagnóstico automático de auto durante 15-20 segundos. Durante el programa de diagnóstico, el sistema no aceptará comandos de usuario.


 Reset


 Test



## Bomba / Motor

**1** Para que la bomba / motor, instale un 120 VCA, 15 Amperios, GFCI dúplex en el poste de la pared debajo de la bañera de 4" (101 mm) por encima del suelo. La toma de dúplex no se suministra.

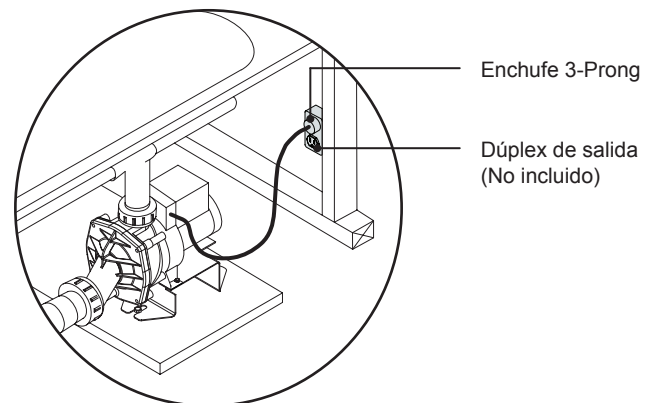
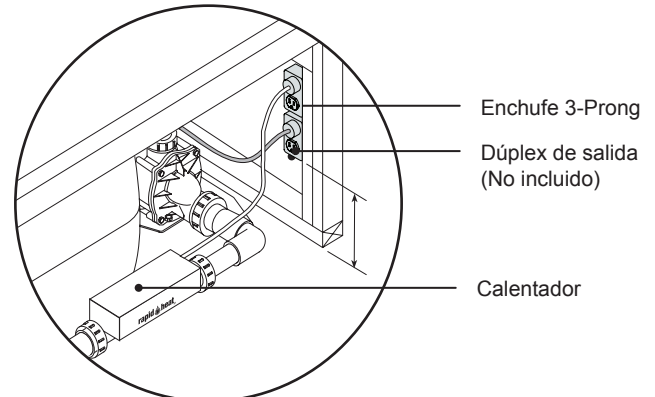
 El contacto dúplex se debe montar 4" (101 mm) por encima de la línea de suelo, o de acuerdo con la construcción de locales y los códigos eléctricos.


 En la esquina bañeras o tinas de baño 6060, una caja de conexión dúplex se ha proporcionado. Para acceder, retire el panel de la falda de acceso. Ver opiniones altas en bruto-En la sección de ubicación.


Una toma de corriente con protección GFCI separado (no incluido) es necesaria para la bomba / motor y se va a instalar en la caja de conexiones. La caja de conexiones es tener cableado directo. El motor está conectado a tierra para la caja de conexiones en la fábrica.

**2** El uso de un cable # 8 de cobre sólido, campo de motor de la bomba a la casa del panel eléctrico, o aprobado suelo local. Un terminal de conexión a tierra se proporciona en el motor de la bomba.

**3** En la primera puesta en marcha, y antes de cada uso posterior con el encendido, presione el botón de prueba de GFCI. El botón de reset debe salir.



 Pulse este botón para reiniciarlo. Si el interruptor no funciona de esta manera, hay una corriente que fluye a tierra o un mal funcionamiento del dispositivo, lo que indica la posibilidad de una descarga eléctrica.

 Desconecte la alimentación y no utilice la bañera hasta que el origen del problema ha sido identificado y corregido.

## Conexión eléctrica 6060 w / calentador

En el 6060 con la falda integral, una caja de conexiones se ha previsto la bomba o el motor. El motor está unido a la caja de conexiones en la fábrica. Para acceder, retire el panel de acceso a la falda.

Un separadas 120 VAVAC, circuito de 15 AMP dedicada con salida protegido con un GFCI (disponible en el mercado) se requiere para el calentador y se va a instalar en una caja de empalme. La caja de conexiones es tener cableado.

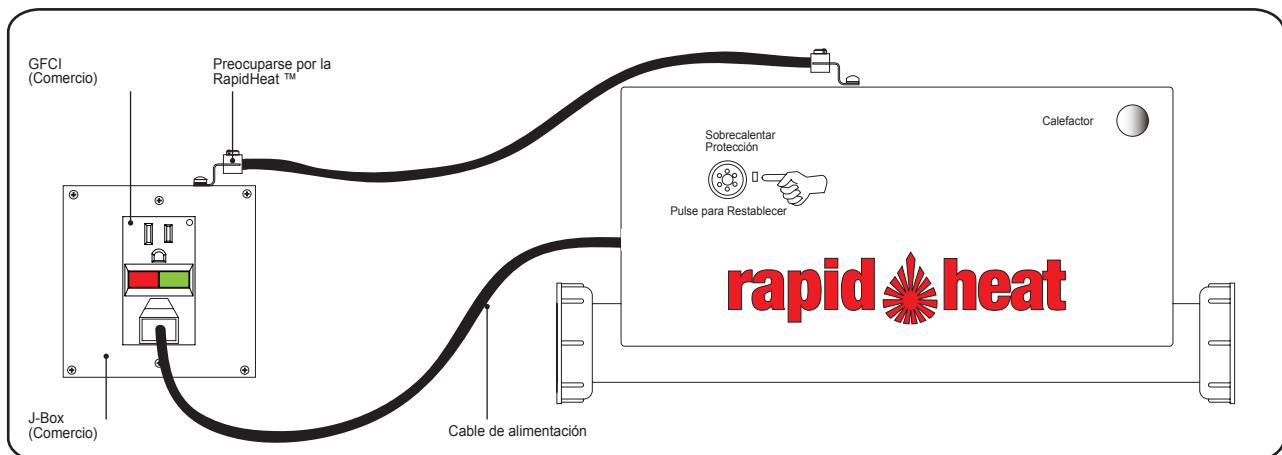
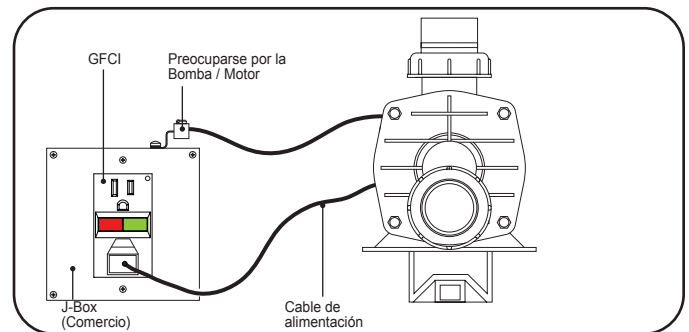
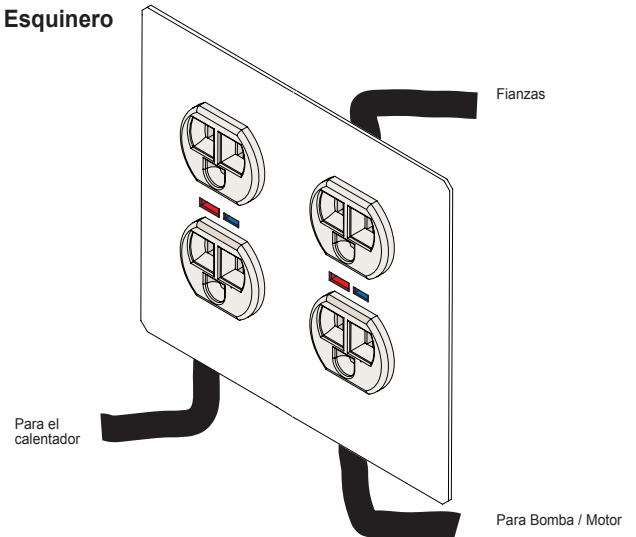
Siga las instrucciones de vinculación a continuación:

- 1 Con un alambre de cobre # 8 sólido, el calentador de bonos a la casa del cuadro eléctrico o aprobado de bonos locales. Un terminal de conexión se proporciona en el calentador.

### Puesta en servicio

- 1 Presione el botón de prueba de GFCI. El botón de reset debe salir.
- 2 Pulse este botón para reiniciarlo. Si el interruptor no funciona de esta manera, hay una corriente que fluye a tierra o un mal funcionamiento del dispositivo, lo que indica la posibilidad de una descarga eléctrica.
- 3 Desconecte la corriente y no use el baño hasta que la fuente del problema ha sido identificado y corregido.

### 6060 Esquinero





## Drop-in de instalación



Antes de comenzar la instalación, por favor lea lo siguiente:

- Cumpla con todos los códigos de construcción locales.
- Determinar qué instrumentos se utilizarán durante la instalación.
- Adicional partes desagüe de la bañera y de plomería están comercialmente disponibles en la plomería y ferreterías.
- Desagüe / rebosadero en bruto en información se incluye en su bañera en el manual de instrucciones de instalación.

Completa la bañera rodean la instalación.

**1** Drenaje instalar o desbordamiento de acuerdo con las instrucciones del fabricante. Véase también la sección de las Especificaciones Técnicas.



Instalación de conexiones no presenten fugas es responsabilidad del instalador. fugas en el drenaje excluidos de la garantía Jacuzzi Baño de lujo de este producto.

**2** Instale el grifo en este momento. Se recomienda que el grifo de ser instalado por un plomero calificado.



La correcta instalación de la plomería del surtidor y el cumplimiento con los códigos locales son responsabilidad del instalador. Jacuzzi Baño de lujo no garantiza las conexiones de los accesorios de abastecimiento de agua y tuberías, sistemas de llenado o vaciado / sistemas de desbordamiento. Tampoco es responsable de los daños a la bañera que se pueden producir durante la instalación.



Una barrera de protección no inflamable debe ser colocado entre los trabajos de soldadura y la unidad de la bañera para evitar daños en la bañera.

**3** Prepare el agujero de salida para la bañera usando la escala propuesta completa plantilla o las dimensiones de corte que figuran en la tabla de especificaciones en las Especificaciones Técnicas sección.

**4** Completa todos los trabajos de acabado de cubierta y cubierta para proteger de daños al realizar la bañera.



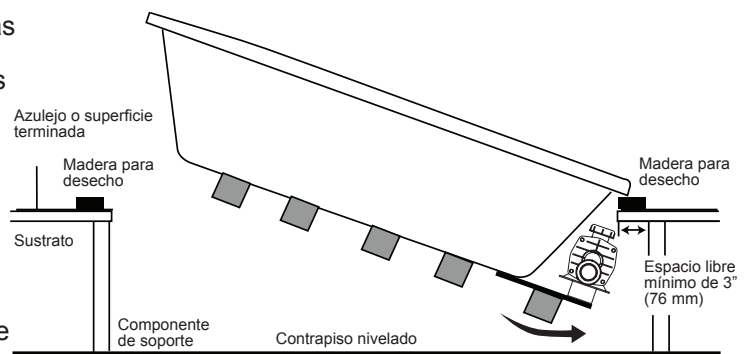
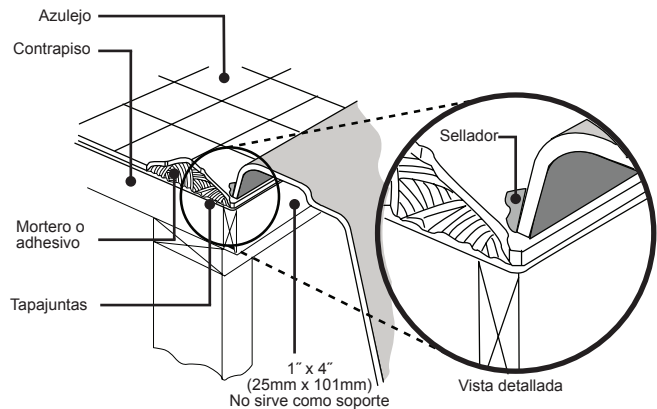
Aislamiento se puede colocar dentro de la bañera de sonido envolvente.



Proporcione una ventilación adecuada alrededor del ventilador para asegurar suficiente flujo de aire y refrigeración.

**5** Apague la fuente de alimentación de circuitos dedicados con protección GFCI.

**6** Coloque un trozo de madera en cada uno de los extremos del corte - esto será usado como un apoyo temporal con anterioridad a la reducción de la bañera de lleno en la apertura.



**Drop-in de instalación (cont.)**

**7** Instale la unidad, insertando el extremo del soplador primero, la reducción de la bañera en la abertura como se muestra en la ilustración.

**⚠** NO use accesorios de plomería o líneas para bajar la unidad. Permitir la bañera para descansar sobre los soportes.

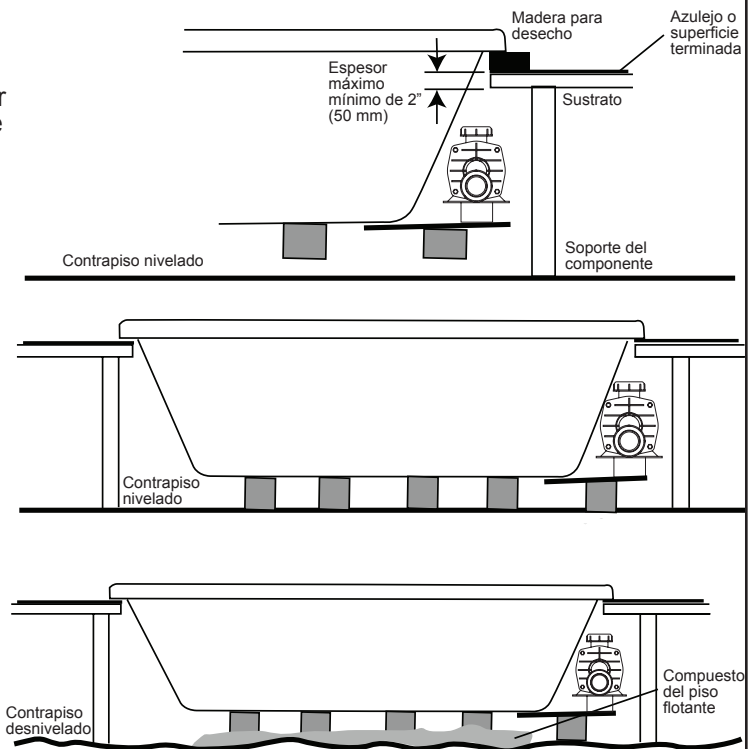
**⚠** Inspeccione todas las conexiones, tuberías y líneas de control después de insertar para asegurar los componentes no estén dañados, desconectados, o ponerse en contacto con el sustrato de acabado superficial, o apoyar a sus miembros.

**8** Flexible se debe conectar las líneas de suministro de agua en el grifo y conexión para cables de alimentación a tomacorrientes GFCI.

**9** Eliminar madera de desecho e inferior de la bañera de lleno en la apertura y alinee la tina y conectar el drenaje.

**10** Abra el suministro de energía a los circuitos dedicados de la protección GFCI y el funcionamiento del sistema de verificación.

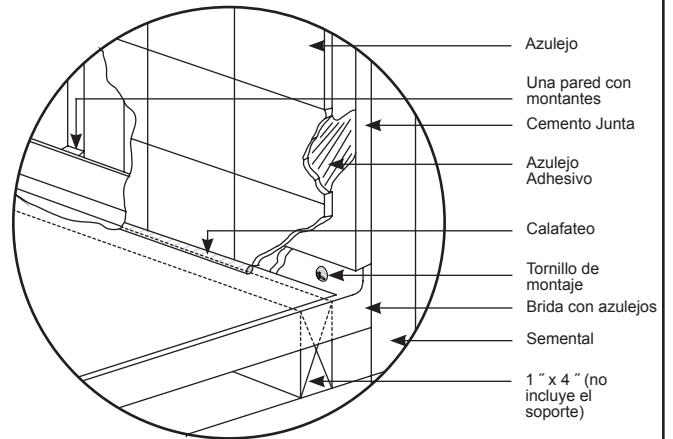
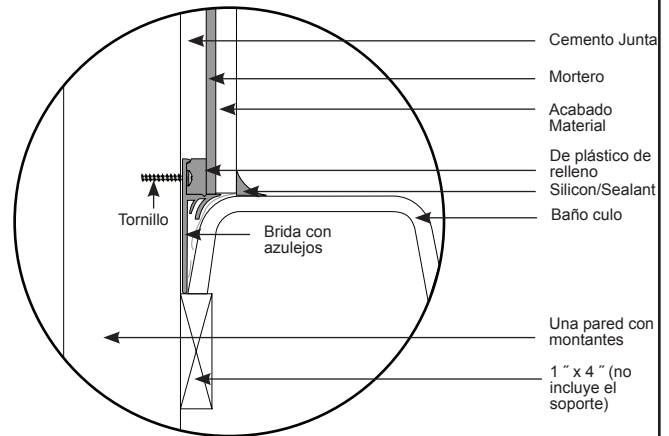
**⚠** Selle alrededor del perímetro de la bañera para sellar el espacio entre la llanta y la cubierta acabada.



### 3-Instalación en la pared alcoba

- 1 Instale el desagüe / rebosadero según las instrucciones del fabricante. Consulte también el Manual de Especificaciones sección.
- 2 Instale el grifo en este momento. Se recomienda que el grifo de ser instalado por un plomero calificado.
- 3 Instale la brida (se vende por separado) de acuerdo con las instrucciones que se incluyen con el kit. Si la bañera está equipada con una brida integrada, omita este paso.
- 4 Coloque la tina de baño en el nicho. Tornillo de la brida a la viga de madera. Puede ser necesario colocar una cuña de la unidad para cerrar cualquier brecha entre la viga de madera y la brida.
- 5 Aislamiento se puede colocar dentro de la bañera de sonido envolvente.
- 6 Apague la fuente de alimentación al circuito protegido con un GFCI.
- 7 Alinear la bañera y conectar el drenaje.
- 8 Flexible se debe conectar las líneas de suministro de agua en el grifo y conexión para cables de alimentación a una toma GFCI.
- 9 Inspeccione todas las conexiones, tuberías y líneas de control después de insertar la bañera para asegurar los componentes no estén dañados, desconectados, o ponerse en contacto con el sustrato de acabado superficial, o apoyar a sus miembros.
- 10 Abra el suministro de energía a los circuitos dedicados de la protección GFCI y el funcionamiento del sistema de verificación.

Completa todos los trabajos de acabado en el perímetro de la bañera para sellar el espacio entre la llanta y la cubierta acabada.

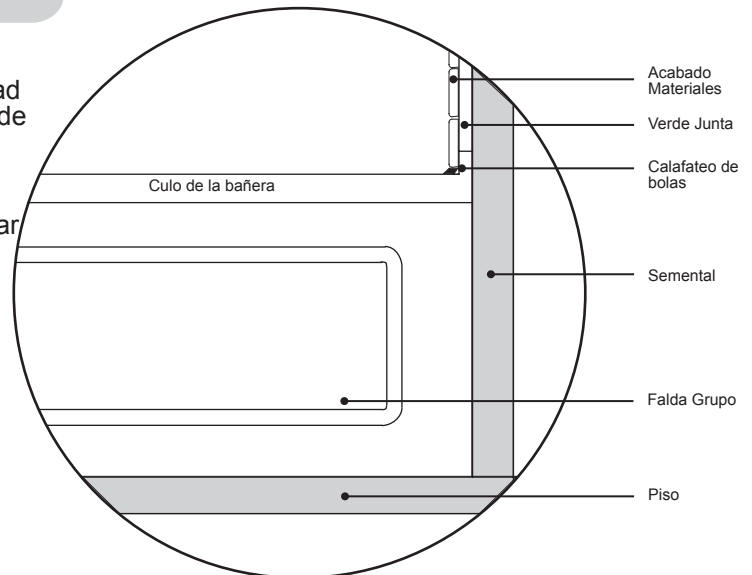


### Falda de instalación

#### Bañeras con una falda Integral

- 1 Tornillo bridas falda en los entramados.
- 2 Trabajo del final completo sobre la falda brida.
- 3 Selle alrededor del perímetro de la falda para sellar el espacio entre la falda y la cubierta acabada.

Puede ser necesario colocar una cuña de la unidad para cerrar cualquier brecha entre los montantes de la pared y las bridas de la.



## Limpieza

Para evitar que la superficie de la bañera se raye o pierda brillo, nunca use limpiadores abrasivos. Para las superficies más sucias, basta el uso de detergente líquido suave y agua tibia. También se recomienda lo siguiente:

- Quite el yeso derramado con un filo de madera o plástico. Las manchas dejadas por el yeso o la lechada pueden eliminarse frotando ligeramente con una esponja o un paño húmedo con detergente. No use rasquetas de metal, cepillos de acero ni otras herramientas metálicas ya que dañarán la superficie de la bañera.
- Las manchas de pintura, alquitrán u otras manchas difíciles se pueden eliminar con Fantastik® o agua jabonosa.
- Los rayones menores que no penetran en el acabado de color se pueden eliminar lijando suavemente con un papel de lija húmedo o seco de grano 600. Puede restaurar el acabado brillante de la superficie acrílica de la bañera con un compuesto especial, el Mirror Glaze N.º 10 de Meguiar. Si no se lo puede conseguir, utilice un compuesto de lustrado de automóviles seguido de una aplicación de cera en pasta para automóviles.
- Será necesario volver a aplicar el acabado si los rayones y estrías penetran en la superficie acrílica. Llame a Jacuzzi Luxury Bath para localizar a un agente de servicio cercano a su domicilio.

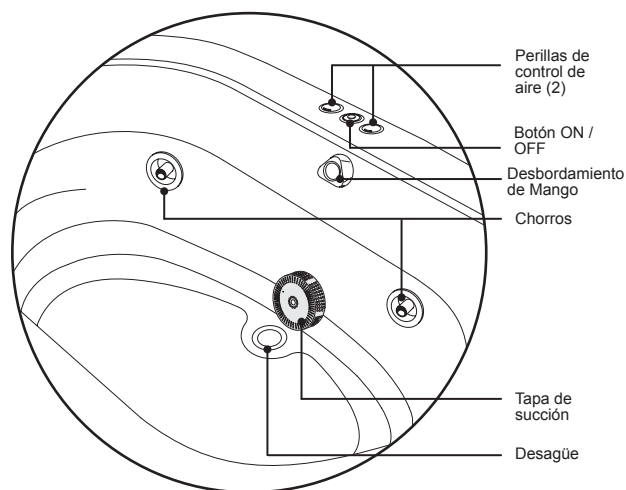
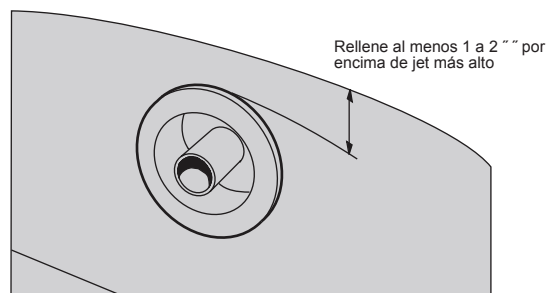
## Operación

Todas las bañeras de lujo fabricados por Jacuzzi Bath están diseñadas para “llenarse y vaciarse”, que significa la bañera debe vaciarse después de cada uso y llenado de agua fresca por los bañistas que viene. Esta es una medida de higiene, ya que estas bañeras no están diseñados para retener el agua continuamente, como piscinas o spas.

Cierre el desagüe y llene la bañera hasta que el agua es por lo menos 1" a 2" (25 mm a 51 mm) por encima del chorro más alto (véase la línea de agua se indica en la ilustración). No encienda el sistema de hidromasaje en cualquier tiempo si los chorros están completamente sumergidos en el agua. La ejecución del sistema de hidromasaje, cuando no hay suficiente agua en la bañera puede resultar en pulverización de agua fuera de la zona de baño. La ejecución del sistema de hidromasaje sin agua puede dañar la bomba.

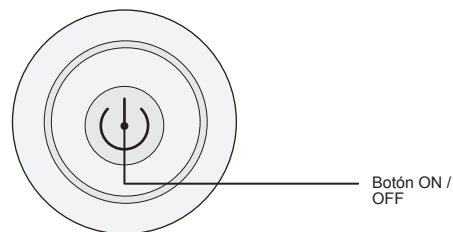


Al salir de la bañera, el nivel del agua bajará por debajo de los chorros de lo que podría resultar en el agua se rocía fuera de la unidad.



## Botón ON / OFF

El botón ON / OFF, ubicado en el baño, le permite activar el sistema de hidromasaje y fuera al mismo tiempo en el baño. Simplemente empuje hacia abajo el botón del interruptor para encender el sistema de hidromasaje. Para apagar el sistema, presione el botón de nuevo.



## Rapidheat™ Operación



El calentador Rapidheat™ viene de serie con todas las bañeras 6060 esquina solamente. Para todos los demás modelos de bañera Espree™, el calentador es una característica opcional.

Una vez que el calentador está instalado y la bomba de hidromasaje esté en funcionamiento, la función de calefacción es totalmente automático. El calentador ayudará a mantener la temperatura del agua en el baño. El calentador está diseñado para ayudar a mantener la temperatura del agua del baño una vez que el agua se agrega en el nivel de temperatura deseado. No reemplaza la necesidad de contar con una oferta adecuada de agua caliente para el llenado de la bañera.

### Interruptor de vacío

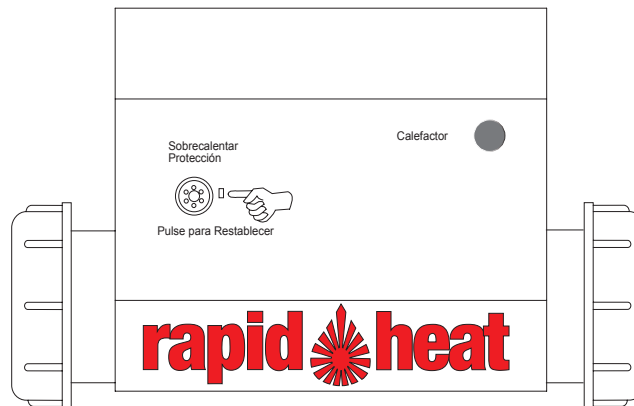
El calentador está equipado con un interruptor de vacío preestablecido que no permita que el calentador se encienda si la bomba no está funcionando con agua que fluye por el sistema de hidromasaje.

### Alto-Limit Switch

El calentador incluye un interruptor en exclusiva de límites altos. Este circuito de seguridad no falsamente por el agua caliente del grifo. Sólo se apagará el calefactor, si el termostato falla. Para poner a cero, pulse el botón.

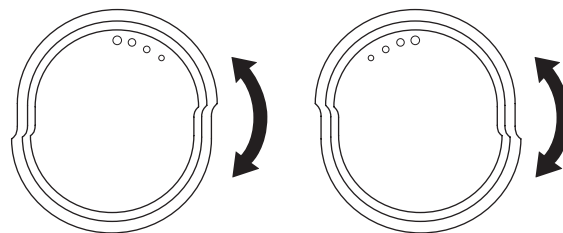
### Indicador de calentador

La luz se iluminará cada vez que el calentador está en funcionamiento.



## Whirlpool Control

La acción de hidromasaje en su baño está influenciada por tres factores - la dirección del flujo, la fuerza del agua, y la fuerza del aire. Todas las tinas fabricadas por Jacuzzi Whirlpool Bath están equipadas con chorros regulables TheraPro®, que son ajustables para los tres factores. Algunos baños cuentan con chorros regulables que pueden ajustarse para la dirección y el flujo de aire.



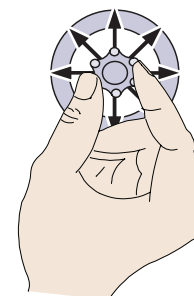
Aire Perillas de Control por Inducción

### Dirección

Para cambiar la dirección del flujo de agua, girar la boquilla del chorro hacia el ángulo deseado. Los chorros pueden dirigirse en forma independiente hacia cualquier parte de su cuerpo para proporcionar un hidromasaje. Los aviones también se puede ajustar de manera que todos ellos apuntan en la misma dirección (hacia la derecha o la izquierda) para hacer circular el agua en un movimiento circular alrededor de la bañera, causando un efecto de remolino.

### Fuerza del agua

El alto volumen, los jets totalmente ajustable se puede ajustar para controlar la fuerza del agua que llega a la bañera. Una actuación sólida, aumentar la fuerza de la corriente de chorro girando la manija a la izquierda (sentido antihorario). Para un efecto más suave, gire el mango hacia la derecha (sentido horario).

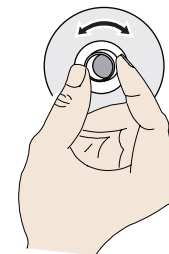


Grandes Jets ajustables

Nunca haga funcionar el sistema de hidromasaje con todos los chorros cerrado.

### Fuerza del aire

Dos botones situados en el baño sirven como controles para el sistema de inducción de aire. La intensidad de la acción de hidromasaje está determinada por la cantidad de aire introducido en el agua. Como la cantidad de aire se incrementa, aumenta la acción de hidromasaje. Para la inducción máxima del aire, haga girar los controles completamente a la izquierda a los círculos más grandes. Para las burbujas de aire menos, disminuir la cantidad de inducción de aire girando la perilla de control hacia la derecha. Cuando los botones se activan a los círculos más pequeños, sólo el agua se está distribuyendo.



Pequeñas Jets multidireccional

## Purgar el sistema de hidromasaje

Para eliminar las acumulaciones de residuos de bañera de hidromasaje del sistema, se recomienda que una bañera de hidromasaje ser limpiados con regularidad. Para obtener los mejores resultados, sin embargo, le recomendamos que limpie su bañera de hidromasaje después de cada uso, empleando, Sistemas Clean™, nuestra exclusiva de plomería en dos partes limpiador del sistema hecho específicamente para bañeras de hidromasaje. Sistemas de Limpieza™ está disponible a través de un representante autorizado de Jacuzzi Whirlpool Bath Distribuidor o llamándonos directamente al 1-800-288-4002.

## Bañera Aditivos



No utilice aceite o aditivos bañera a base de aceite.

Si desea utilizar cualquier tipo de aditivo bañera, utilice solamente una pequeña cantidad de baja formación de espuma en polvo o sustancia cristalina, la acción de hidromasaje intensifica las propiedades espumantes de los jabones.

El uso de aceites bañera determinados, baños de burbujas, bañera y aditivos pueden aumentar el nivel de las acumulaciones de residuos de bañera de hidromasaje en el sistema y pueden causar falsa lectura de los sensores de nivel de agua. Si el exceso de acumulación persisten, se debe interrumpir el uso de estos productos.

## Mantenimiento

Para limpiar la bañera, simplemente use un detergente líquido suave no abrasivo. Puede proteger y restaurar el brillo de una superficie acrílica aplicando Mirror Glaze N.º 10 de Meguiar, un producto diseñado específicamente para uso en acabados acrílicos. Si no se puede conseguir este producto de Meguiar, utilice un compuesto de buena calidad para el lustrado de automóviles seguido de una aplicación de cera en pasta para automóviles.



Nunca utilice limpiadores abrasivos de uso doméstico en ningún producto Jacuzzi Luxury Bath.

## Reparación de superficies

Los rayones menores que no penetran en el acabado de color se pueden eliminar lijando suavemente con un papel de lija húmedo o seco de grano 600. Restaure el brillo con Mirror Glaze de Meguiar o con cera en pasta para automóviles. Será necesario volver a aplicar el acabado si los rayones y estrías penetran en la superficie acrílica. Llame a Jacuzzi Luxury Bath para localizar a un agente de servicio cercano a su domicilio.

## Cubierta de succión / colador de mantenimiento

Limpie la tapa de succión y el filtro de pelo y suciedad cuando sea necesario.

- ❶ Retire el tornillo central y separar la tapa de succión.
- ❷ Limpie la cubierta por los escombros de retrolavado de los agujeros.
- ❸ Vuelva a colocar la tapa de succión inmediatamente después de la limpieza.

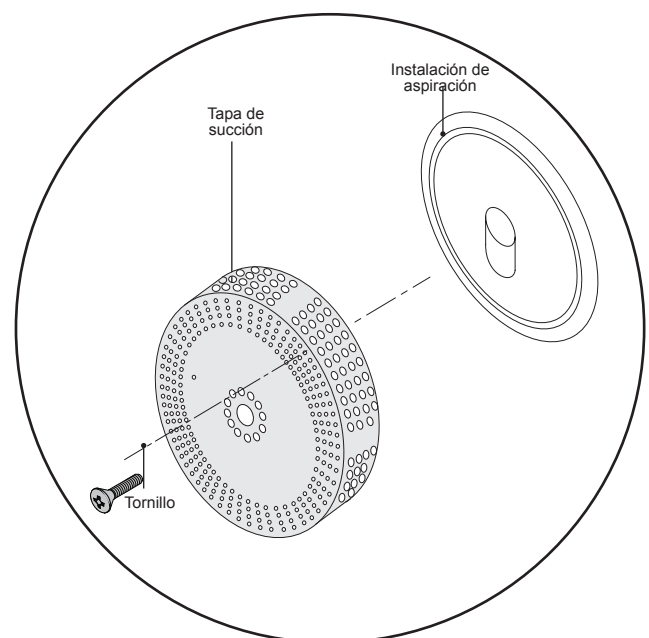


Mantenga el cabello un mínimo de 6 pulgadas (152 mm) de distancia de la succión que en todo momento cuando el sistema de hidromasaje en funcionamiento. El cabello largo hasta los hombros deben estar protegidos cerca de la cabeza, o un gorro de baño deben ser usados.



No haga funcionar el sistema de hidromasaje con la tapa de succión y el filtro roto, damaged o eliminado!

Se trata de un dispositivo de seguridad y siempre debe estar en su lugar apropiado en la aspiración de reducir al mínimo el peligro potencial de cabello y el cuerpo atrapamiento.



**Procedimientos para resolver problemas**

PROBLEMA	CAUSAS PROBABLES	RECURSO
Bomba / motor no arranca	No hay energía para la bomba / motor Bomba / motor no está conectado	Perdí mi GFCI Inserte el enchufe firmemente en el tomacorriente Asegúrese de que la tubería usada para activar la bomba / el motor esté bien conectado a la parte inferior de la ON / OFF y panel de control para el interruptor de la parte posterior del motor.
	Bomba / motor defectuoso	Póngase en contacto con Baño de Lujo jacuzzi @ 800-288-4002
Bomba / motor funciona, pero no los chorros multidireccionales o ajustable	Jets están cerrados	Abrir aviones girando hacia la izquierda
	Tapa de succión y el filtro puede estar obstruido	Con el motor apagado, retire la tapa de succión y el filtro y eliminar los residuos. Vuelva a colocar la tapa de succión antes de operar
Bomba / motor funciona pero el aire no se inyecta en el agua	Las válvulas de aire están cerradas	Abrir las válvulas de control
Fuga de agua de los sindicatos de la bomba	Aprieta en exceso, O-ring puede ser aplastado o asentados incorrectamente, undertightened	Afloje los sindicatos, revise y vuelva a colocar el anillo-O. Si la junta tórica se ha pinchado fuera de forma, reemplazará (dirjase a los números más abajo). Al apretar las tuercas de unión, handtighten solamente.
Bomba / motor se apaga por sí mismo antes de que transcurre el tiempo	La protección térmica del motor ha desactivado la bomba / motor por sobrecalentamiento (baja tensión de alimentación)	Deje enfriar el motor, la protección térmica se restablecerá. Compruebe si hay una ventilación adecuada (comprobar la tensión de alimentación)
	GFCI tropezó	Perdí mi GFCI. Si continúa disparándose, no utilice esta unidad. Desconecte la unidad y tener el problema resuelto por un electricista con licencia antes de utilizar.
	Cableado de alimentación inadecuada	Consulte a un electricista con licencia para corregir el cableado de la unidad



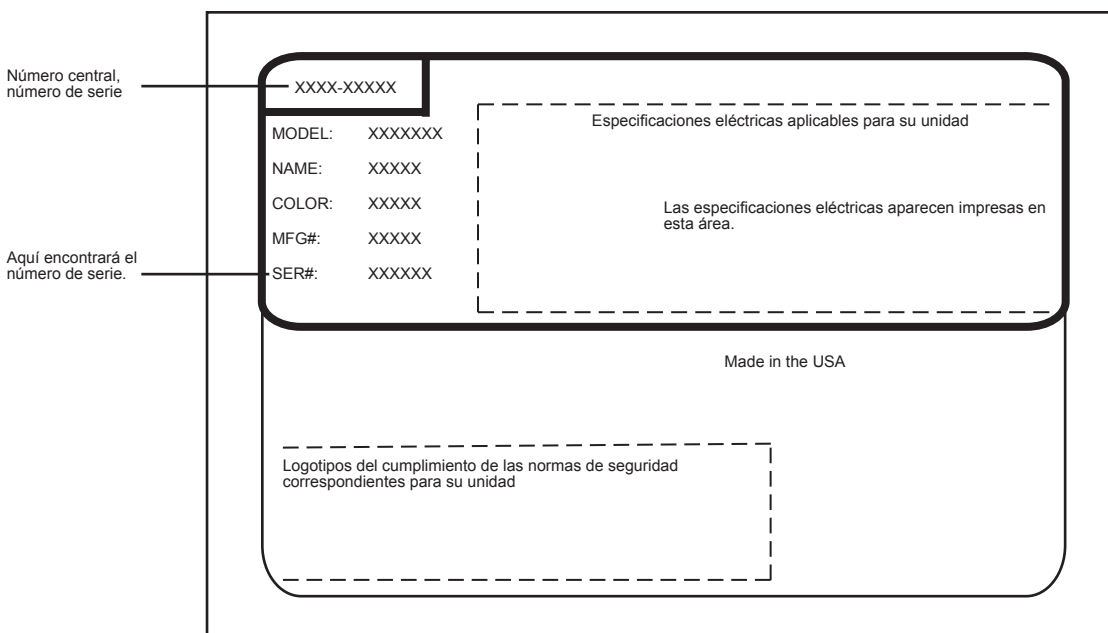
Si la unidad se encuentra dentro del período de garantía, póngase en contacto con jacuzzi de hidromasaje Baño de Servicio de Apoyo al 1-800-288-4002 con el número de serie de su baño, antes de que se inicie. El número de serie se encuentra en la Especificación / Número de serie del mural.

## Servicio técnico autorizado

Si necesita obtener los datos de una empresa de servicio técnico cercana a su domicilio o necesita ayuda con dudas relacionadas con el funcionamiento o mantenimiento, llame a nuestro Departamento de Asistencia de Servicio Técnico al 1-800-288-4002. Visite nuestro sitio web en <http://www.jacuzzi.com/> para conocer los productos y servicios y obtener una copia electrónica de estas Instrucciones para la instalación y el funcionamiento.

Cuando solicite un servicio o asistencia técnica, tenga a mano tanto el número de modelo como el número de serie de su unidad. Puede consultar esta información en la tarjeta de registro del producto que se proporciona junto con la unidad. Si extravió la tarjeta, puede obtener esta información en la etiqueta de especificaciones/número de serie que se encuentra en la unidad misma. La etiqueta está ubicada en la pared de la bañera cerca del motor del generador de burbujas de aire.

## ETIQUETA DE ESPECIFICACIONES/NÚMERO DE SERIE



LAS ESPECIFICACIONES DEL PRODUCTO ESTÁN SUJETAS A CAMBIO SIN PREVIO AVISO.

UTILICE EL MANUAL DE ESPECIFICACIONES TÉCNICAS PROVISTO CON EL PRODUCTO.

Jacuzzi® Luxury Bath ha obtenido los listados de los códigos (normas) aplicables que suelen estar disponibles a nivel nacional para productos de este tipo. Es responsabilidad del instalador o propietario determinar el cumplimiento de los códigos locales específicos antes de instalar el producto. Jacuzzi® Luxury Bath no realiza manifestaciones ni ofrece garantías con respecto al cumplimiento de ningún código, ni será responsable de dicho cumplimiento.

Jacuzzi® Luxury Bath  
14525 Monte Vista Avenue  
Chino, California, 91710  
1-800-288-4002  
[www.jacuzzi.com](http://www.jacuzzi.com)



## Garantía Limitada de por Vida para las Bañeras Marca Jacuzzi de la Colección Espree

### COBERTURA DE LA GARANTÍA

Jacuzzi Whirlpool Bath (la "Compañía") ofrece la siguiente garantía expresa limitada de por vida al comprador original («usuario») de cualquier producto Jacuzzi® Whirlpool Bath incluido en la colección Espree™ de la Compañía, que compre la Bañera para uso personal o residencial unifamiliar. La Compañía reparará o reemplazará, a su exclusiva elección, la Bañera o su equipo de acuerdo con los siguientes términos y condiciones.

### GARANTÍA DE POR VIDA PARA LAS BAÑERAS

La Compañía le extiende al usuario de la Bañera una garantía intransferible limitada de por vida que establece que el casco mantendrá su integridad y configuración estructural y que no tendrá pérdida de agua debido a un defecto en el casco de la bañera. Esta garantía cubre contra defectos en el material o en la mano de obra únicamente el casco de la bañera y la bomba, los chorros, los controles y el soplador instalados por el fabricante. Esta garantía no se aplica a ningún modelo de exposición ni a ninguna opción o accesorio que estén cubiertos por nuestra garantía limitada por noventa (90) días establecida a continuación. La cobertura de la garantía comienza en la fecha en que el usuario compró originalmente la unidad y al momento en que la Compañía recibe la Tarjeta de registro de la garantía debidamente completada según se describe a continuación.

### GARANTÍA DE MANO DE OBRA POR 1 AÑO PARA TODOS LOS COMPONENTES INSTALADOS DE FÁBRICA:

Nuestra garantía limitada de mano de obra es por un período de un (1) año a partir de la fecha en que el usuario compró originalmente la unidad pero por no más dos (2) años a partir de la fecha de fabricación. Nuestra garantía cubre todos los componentes instalados de fábrica (por ejemplo, la bomba, el motor, el soplador y la plomería) contra fallas debido a defectos en los materiales y en la mano de obra.

### GARANTÍA LIMITADA POR 1 AÑO (PIEZAS ÚNICAMENTE) PARA EL CALENTADOR OPCIONAL

Nuestra garantía limitada para nuestro Calentador opcional es por un (1) año para las piezas únicamente y excluye la mano de obra. La cobertura de la garantía comienza en la fecha en que se compró el calentador como una opción para utilizar únicamente en las bañeras Espree.

### GARANTÍA LIMITADA POR 90 DÍAS (PIEZAS ÚNICAMENTE) PARA LAS OTRAS OPCIONES Y ACCESORIOS

Nuestra garantía cubre las opciones y los accesorios fabricados por la compañía pero que no fueron instalados en fábrica (por ejemplo, juegos de surtidores de llenado, bordes, faldones, almohadillas, etc.) contra defectos en el material o en la mano de obra. La cobertura de la garantía comienza en la fecha en que el usuario compró originalmente la opción o el accesorio. Los artículos pueden estar cubiertos por una garantía del fabricante, la cual puede tener mayor duración que esta garantía limitada. Confirme con el fabricante la duración de la garantía adecuada para las opciones y los accesorios.

### LIMITACIONES DE LA GARANTÍA

Nuestra garantía limitada no cubre defectos, daños ni fallas ocasionadas por el transportista, el instalador, el usuario u otras personas, mascotas o roedores, ni los que resulten, sin limitación, de cualquiera de las siguientes causas: manipulación descuidada (levantar la unidad tomándola de la grifería, raspar el acabado, etc.) inclusive por su propia negligencia; modificación de cualquier tipo por cualquier motivo (incluso modificaciones para cumplir con los códigos locales); instalación incorrecta (incluso la instalación no conforme a las instrucciones y especificaciones suministradas con la unidad); conexiones proporcionadas por el instalador del equipo; tensión de alimentación inadecuada o modificación eléctrica no autorizada; mal uso; funcionamiento incorrecto o falta de mantenimiento de rutina adecuado; funcionamiento de la unidad sin la cantidad mínima de agua especificada o con agua a temperatura inadecuada; uso de limpiadores abrasivos o inapropiados; o actos fortuitos tales como rayos, inundaciones, terremotos, etc. Además, LA COMPAÑÍA NO SERÁ RESPONSABLE DE DAÑOS INCIDENTALES O CONSECUENTES o pérdidas derivadas de cualquier causa (por ejemplo, daños causados por el agua en las alfombras, techos, azulejos, mármol, pérdida de uso, etc.) inclusive por su propia negligencia; daños a, relativos a, o que resulten de: las piezas cromadas si se utilizan productos químicos para piscinas y/o bañeras de hidromasaje en la unidad o si existen condiciones de agua dura; los equipos opcionales para bañeras no fabricados por la Compañía pero suministrados por el Distribuidor, el instalador o la Compañía; el uso anterior de la unidad para hacer demostraciones de funcionamiento; o defectos que deberían haberse descubierto antes de la instalación. Esta garantía limitada no incluye: costos de mano de obra, transporte ni otros costos incurridos en la remoción y/o reinstalación de la unidad original y/o instalación de una unidad de reemplazo; ningún costo relacionado con obtener acceso para la reparación; ni daños por pérdida de uso, incluso pérdida de ventas, ganancias o ventajas comerciales de cualquier tipo y en cualquier circunstancia. Las bañeras quedan excluidas de la cobertura de cualquier garantía si se ha realizado alguna adición, supresión o modificación de cualquier tipo a la unidad (o a cualquier componente).

La cobertura de la garantía se brinda únicamente en los Estados Unidos de América y Canadá.

### EXCLUSIÓN DE LAS GARANTÍAS IMPLÍCITAS

LAS GARANTÍAS IMPLÍCITAS DE COMERCIABILIDAD Y APTITUD CON UN FIN DETERMINADO QUEDAN TOTALMENTE EXCLUIDAS O HASTA EL MÁXIMO GRADO PERMITIDO POR LEY.

AVISO: esta garantía le otorga derechos legales específicos y es posible que usted goce de otros derechos que varían según el estado. No existen garantías que se apliquen a los productos Jacuzzi Whirlpool Bath, salvo las detalladas expresamente en la presente o las implícitas en las leyes estatales y federales correspondientes. La Compañía no será responsable de ninguna declaración o representación realizada de cualquier forma que supere, exceda o resulte contraria a cualquier literatura autorizada o a las especificaciones suministradas por la Compañía.

Algunos estados no permiten limitaciones en relación con la duración de una garantía implícita, la exclusión ni la limitación de los daños incidentales o consecuentes, de manera tal que es posible que las limitaciones y exclusiones anteriores no se apliquen en su caso.

## DEVOLUCIÓN DE LA TARJETA DE REGISTRO DE LA GARANTÍA

Para registrar su producto, ingrese en nuestro sitio web Jacuzzi.com, haga clic en Bath and Showers (Bañeras y duchas) y luego seleccione ONLINE WARRANTY REGISTRATION (REGISTRO DE LA GARANTÍA EN LÍNEA) en la parte superior de página. Se le pedirá que ingrese el número de serie de su producto y, a continuación, la información de registro de la garantía. También puede completar el registro que se encuentra abajo y enviarlo por correo a Jacuzzi a la dirección indicada a continuación.

Para que esta garantía entre en vigencia, el comprador DEBE llenar el Registro de la garantía que se adjunta en un plazo de treinta (30) días a partir de la compra, y Jacuzzi Luxury Bath debe recibirlo.

### RESPONSABILIDADES DE TERCEROS

La inspección de la unidad antes de la instalación es responsabilidad del instalador o el contratista de obra que actúa en representación del Usuario. Estos terceros son responsables de verificar que la unidad no presente defectos ni daños. Hay avisos colocados en la unidad y en la caja de envío en los que se informa al instalador acerca de esta responsabilidad. En caso de producirse un problema, no se debe instalar la unidad. La Empresa no se responsabiliza de las fallas o los daños que podrían haberse descubierto, reparado o evitado mediante una inspección y pruebas adecuadas (incluida la prueba de agua correspondiente) antes de la instalación.

Los daños ocurridos durante el transporte son responsabilidad del transportista. El Usuario o instalador DEBE abrir la caja e inspeccionar la unidad para verificar que no tenga daños al momento de la entrega. Si se descubre algún daño, inmediatamente debe informarse por escrito al vendedor y al transportista y solicitar una inspección. Si el transportista no responde, se debe informar al vendedor y al transportista. Sus reclamos de flete deben presentarse sin demoras después de eso.

Los daños ocasionados en la unidad durante la instalación son responsabilidad del instalador y/o contratista de obra, y los daños ocasionados posteriormente son responsabilidad del usuario.

Las fallas de cualquier equipo opcional son responsabilidad exclusiva del fabricante del equipo, excepto por lo estipulado anteriormente, y no se extenderá ni aplicará a ninguna pieza de reemplazo para las Opciones y Accesorios. Todas las piezas de reemplazo estarán cubiertas por el fabricante del equipo original.

El Distribuidor o Vendedor es responsable de conocer los requisitos de los códigos locales y de notificar estos requisitos al contratista instalador y/o al Usuario al momento de la compra. La Empresa no es responsable de los costos incurridos para la modificación de algún producto con el fin de obtener la aprobación de los códigos, como los códigos de construcción de la ciudad, el condado o el estado en los EE. UU. o los códigos municipales o provinciales en Canadá.

### SERVICIO DE GARANTÍA

Para beneficio del cliente, la Empresa mantiene una lista de personal de servicio técnico independiente para efectuar las reparaciones requeridas del servicio de garantía. Estas empresas no son agentes ni representantes de la Empresa ni pueden obligar a la Empresa mediante palabras o proceder.

La Empresa proporcionará el servicio de garantía antes descrito siempre que se cumplan las siguientes condiciones: la falla es de la naturaleza o del tipo cubierto por la garantía; el Usuario ha informado a un Agente de Servicio Autorizado de Jacuzzi Luxury Bath o a un Representante del Departamento de Servicio de Garantía acerca de la naturaleza del problema durante el período de la garantía; el usuario entrega a dicho agente o representante pruebas concluyentes (p. ej., comprobante de compra o instalación) que demuestran que la falla ocurrió o se descubrió dentro del período de la garantía; se le ha permitido a una persona del servicio técnico independiente autorizado o un representante de la Empresa inspeccionar la unidad en horario comercial normal dentro de un tiempo razonable después de que el Usuario informó sobre el problema. A fin de obtener servicio de garantía, comuníquese con Jacuzzi Luxury Bath al:

jacuzzi.com

or

Warranty Service Department  
14525 Monte Vista Avenue  
Chino, California 91710  
Call: 1-(800) 288-4002

Para obtener un reemplazo cubierto por la garantía de componentes instalados de fábrica para las opciones y los accesorios proporcionados y fabricados por la Empresa, llame al teléfono o escriba a la dirección que se indican arriba. Brinde una descripción del problema y un comprobante de compra. Se le indicará cómo obtener los reemplazos y dónde devolver, a su cargo, el/los componente/s, la/s opción/es o el/los accesorio/s fallado/s.

Todas las piezas y los equipos de reemplazo y las reparaciones asumirán lo que quede del período de la garantía de la/s pieza/s reemplazada/s.

La obligación de la Empresa con relación a la garantía finalizará con la oferta de reemplazo o reparación. La negativa del cliente a aceptar la oferta deja sin efecto la obligación de la Empresa con relación a la garantía.

Garantía limitada  
de noventa días  
únicamente para  
piezas sobre  
accesorio(s)

Luxury Bath by Jacuzzi®  
U961000M



Jacuzzi® Luxury Bath  
14525 Monte Vista Avenue  
Chino, California 91710



## TARJETA DE REGISTRO DE LA GARANTÍA



Para que esta garantía entre en vigencia, visite nuestro sitio web en [www.jacuzzi.com](http://www.jacuzzi.com) o llene esta tarjeta y envíela por correo a la dirección impresa al dorso dentro de los treinta (30) días a partir de la fecha de compra.

Nombre del comprador \_\_\_\_\_

Dirección del comprador \_\_\_\_\_

Ciudad \_\_\_\_\_ Estado \_\_\_\_\_ Código postal \_\_\_\_\_

Teléfono de la casa \_\_\_\_\_ Teléfono celular \_\_\_\_\_

Correo electrónico \_\_\_\_\_

Fecha de compra \_\_\_\_\_

Nombre del modelo \_\_\_\_\_

Número de serie \_\_\_\_\_

Nombre del distribuidor \_\_\_\_\_

Dirección del distribuidor \_\_\_\_\_

1. ¿Cómo se enteró por primera vez de este producto Jacuzzi®?
  - Anuncio publicitario  Artículo en revista/periódico
  - Visitó al distribuidor/proveedor de instalaciones sanitarias
  - Páginas amarillas
  - Constructor/fontanero/remodelador  Decorador/arquitecto
  - Visitó tienda minorista/de artículos para el hogar
  - Referido por otros... Amigo/pariente/conocido
  - Otro (Describa) \_\_\_\_\_
2. ¿Quién fue el primero en darle información específica sobre este producto (especificaciones, precios, etc.)?
  - Distribuidor/proveedor de instalaciones sanitarias  Constructor
  - Remodelador
  - Contratista de fontanería  Tienda minorista/de artículos para el hogar
  - Decorador/arquitecto  Ya estaba instalado
3. ¿Cuál fue el principal motivo para la compra?
  - Estilo  Servicio de garantía  Características del producto
  - Marca  Precio  Hidroterapia
  - Reventa de la casa \_\_\_\_\_
  - Otro \_\_\_\_\_
4. ¿Quién tomó la decisión final de qué producto comprar?
  - Usted mismo  Cónyuge  Usted y su cónyuge
  - Otro miembro de la familia  Diseñador/arquitecto
  - Constructor/fontanero/remodelador  Ya estaba instalado
5. ¿Quién lo instaló? ( ) Ya estaba instalado/casa nueva
  - Contratista/fontanero durante la remodelación
  - Usted/cónyuge durante la remodelación
  - Otro \_\_\_\_\_
6. ¿Cuál es el valor de mercado actual de esta propiedad?  
Estime en \$ \_\_\_\_\_
7. ¿Qué edad tiene el jefe de familia? \_\_\_\_\_ años
8. ¿Qué otros fabricantes tuvieron en cuenta?
  - Eljer  Lasco  Price Pfister  Aqua Glass
  - Kohler  American Standard  Sterling
  - Otro (especifique) \_\_\_\_\_
9. ¿Cuánto tiempo estuvo buscando antes de comprar la unidad?
  - 1 día  de 2 a 6 meses
  - de 2 a 7 días  de 6 meses a 1 año
  - de 1 a 2 semanas  de 1 a 2 años
  - de 2 a 4 semanas  más de 2 años
  - de 1 a 2 meses
10. Aproximadamente, ¿cuánto tiempo lleva viviendo en esta casa \_\_\_\_\_?
11. Indique, aproximadamente, el ingreso anual total de su grupo familiar.
  - Hasta \$24.999  de \$50.000 a \$74.999
  - De \$25.000 a \$29.999  de \$75.000 a \$99.999
  - De \$30.000 a \$39.999  de \$100.000 a \$149.999
  - De \$40.000 a \$49.999  más de \$150.000
12. ¿Cómo fue el proceso de compra?
  - Muy fácil  Fácil  Difícil  Muy difícil
13. Desde el punto de vista técnico, ¿cuánto conocía usted sobre el sistema de chorros Jacuzzi® patentado antes de realizar la compra?
  - No conocía nada  Conocía algo  Conocía mucho

Garantía limitada  
 de noventa días  
 únicamente para  
 piezas sobre  
 accesorio(s)