

TECHNICAL SPECIFICATIONS

Riva® 5 Pure Air® II Bath

RIV6243 ALR 2XX

Riva 5 Pure Air® II Bath, Left Hand (EA30)



INSTALLATION NOTES

Refer to installation instructions included with fixture before beginning installation. Please confirm product availability and specifications before commencing with any installation work.

PRODUCT SPECIFICATIONS AND AVAILABILITY ARE SUBJECT TO CHANGE WITHOUT NOTICE.

KEY DIMENSIONS

DIMENSIONS

62" L x 43" W x 19" H

(1575 mm) L x (1092 mm) W x (483 mm) H

DRAIN/OVERFLOW

A: 14-3/4" (375 mm) B: 9-1/2" (241 mm)

CUTOUT

Template Provided Part Number: P186000

TOTAL WEIGHT

787 lb (357 kg) /45 lb/ft² (220 kg/m²)

OPERATING GALLONAGE

Min. 45 U.S. Gal. (170 Liters)

Max. 54 U.S. Gal. (204 Liters)

PRODUCT WEIGHT

89 lb (40 kg)

SKIRT MOUNTING

Not Available

ELECTRICAL SPECIFICATIONS

Requires a dedicated GFCI protected separate circuit.

Blower: 120 VAC, 15 AMP, 60 Hz.

HEATER

No water heater is available on this unit. Blower has integral air heater.

FEATURES, UPGRADES & ACCESSORIES

• Accessories / Hardware:

Rotary Drain Kit, 26" Cable #8730

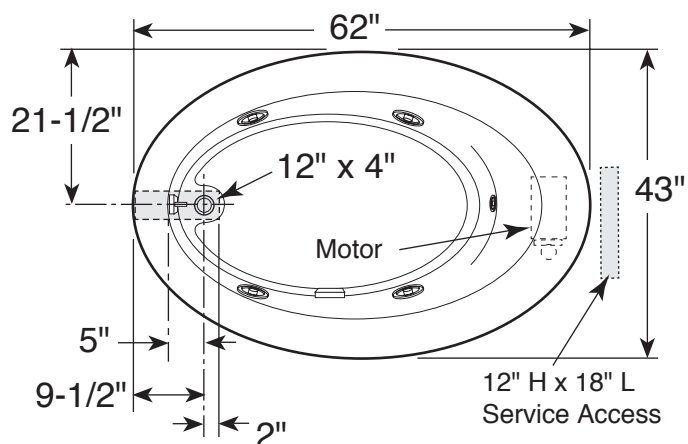
Trip-Lever Drain Kit: #X559

• Trim Kit Finishes Available:

(827) – Chrome

(826) – Brushed Nickel

(849) – Oil Rubbed Bronze.



Product Shown: Riva 5 Pure Air® II Bath Left Hand Shown
Model: EA30

* Measurements inside unit represent cutout in floor to allow for drain/overflow. Minimum Service Access dimensions given

