



**COMFORT™ COLLECTION**

## **INSTALLATION AND OPERATION INSTRUCTIONS**

**Jacuzzi® Luxury Bath**

14525 Monte Vista Avenue™  
Chino, CA 91710  
1-800-288-4002  
[www.jacuzzi.com](http://www.jacuzzi.com)

**Contents**

Contents.....	2
Product Information.....	2
Important Safety Instructions.....	3
Inspection and Testing.....	4
Visual Inspection.....	4
Bathtub Water and Operational Test.....	4
Framing and Support.....	5
Electrical Connections.....	6
Installation Procedures.....	7
Undermount Installation.....	8
Cleanup.....	9
General Operation Information.....	9
Whirlpool Operation.....	9
Whirlpool Operation w/Chromatherapy.....	10
Purging the Whirlpool System.....	11
Purging the Air Bath System.....	11
Air Bath System.....	10
In-Line Maintenance Heater (Whirlpool models only).....	11
Cleaning.....	11
Maintenance.....	12
Skirt Panel Installation (Skirted models only).....	12
Troubleshooting Procedures.....	13
Authorized Service.....	14
Warranty.....	15

**Product Information****NOTE**

Save these instructions for future use. Use the form below to record your model and serial number for future reference.

Date Purchased \_\_\_\_\_

Purchased From \_\_\_\_\_

Installed By \_\_\_\_\_

Serial Number \_\_\_\_\_

Model \_\_\_\_\_

**Installer:** Leave the manual for the homeowner.

**Homeowner:** Read this manual and keep for future reference.

## Important Safety Instructions

This is a professional grade product. A working knowledge of construction techniques, plumbing and electrical installation according to codes are required for proper installation and user satisfaction. We recommend that a licensed contractor perform the installation of all Jacuzzi® Luxury Bath products. Our warranty does not cover improper installation related problems.

### READ AND FOLLOW ALL INSTRUCTIONS. SAVE THESE INSTRUCTIONS.

Use this unit only for its intended use as described in this manual. Do not use attachments not recommended by the manufacturer. Never drop or insert any object into any opening.

#### DANGER

**RISK OF ACCIDENTAL INJURY OR DROWNING!** Do not permit children to use this unit unless they are closely supervised at all times. Do not use hydromassage bathtubs unless all suction guards are installed to prevent body and hair entrapment. Never operate the hydromassage bath if the suction cover is broken, damaged or missing. Do not operate this unit without the guard over the intake for the circulation pump (suction cover/strainer).

#### DANGER

**RISK OF SEVERE INJURY FROM ELECTRIC SHOCK OR DEATH FROM ELECTROCUTION!** This unit must be connected only to a supply circuit that is protected by a 15 amp ground fault circuit interrupter (GFCI). Such a GFCI should be provided by the installer and should be tested on a routine basis. Follow the manufacturer's instructions when testing the GFCI. The GFCI should interrupt power. Push the reset button. Power should be restored. If the GFCI fails to operate in this manner, the GFCI is defective. If the GFCI interrupts power to the bathtub without the test button being pushed, a ground current is flowing, indicating a possibility of an electric shock. Do not use this hydromassage bathtub. Disconnect the hydromassage bathtub and have the problem corrected by a qualified service representative before using.

#### DANGER

**RISK OF ELECTRIC SHOCK!** Do not permit electrical appliances (such as a hair dryer, lamp, telephone, radio or television) within 60" (1524mm) of this hydromassage bathtub. Connect only to a circuit protected by a ground fault circuit interrupter (GFCI). (For permanently connected units) A green colored terminal (or a wire connector) marked "G," "GR," "GROUND," or "GROUNDING" is provided within the terminal compartment. To reduce the risk of electric shock, connect the terminal or connector to the grounding terminal of your electric service or supply panel with a conductor equivalent in size to the circuit conductors supplying the equipment.

#### DANGER

**PROLONGED IMMERSION IN HOT WATER MAY INDUCE HYPERTHERMIA!** Hyperthermia occurs when the internal temperature of the body reaches a level several degrees above the normal body temperature of 98.6°F (37°C). The symptoms of hyperthermia include an increase in the internal temperature of the body, dizziness, lethargy, drowsiness and fainting. The effects of hyperthermia include:

- A. Failure to perceive heat.
- B. Failure to recognize the need to exit the bath.
- C. Unawareness of impending hazard.
- D. Fetal damage in pregnant women.
- E. Physical inability to exit the bath.
- F. Unconsciousness resulting in danger of drowning.








#### DANGER

This equipment is intended for indoor use only. Install the equipment in accordance with these instructions. Use supply wires that are suitable for 167°F (75°C), including the temperature rating of the supply conductors to be used. This unit should be electrically grounded and installed by a licensed contractor, electrician, and plumber. Building materials and wiring should be routed away from the motor/pump or blower or other heat producing components of this unit. A pressure wire connector is provided on the exterior of the motor/pump and heater to permit connection of an No. 8 AWG solid copper bonding conductor between this unit and all other electric equipment and exposed metal in the vicinity, as needed to comply with local requirements.

#### DANGER

Risk of fetal injury. Pregnant or possibly pregnant women should consult a physician before using a hydromassage bathtub equipped with a heater

## Important Safety Instructions (Cont)

-  **CAUTION** Keep body and hair a minimum of 6" (152mm) away from the suction fitting at all times when the hydromassage system is in operation. Hair longer than shoulder length should be secured close to the head.
-  **CAUTION** Do not immerse the control panel by overfilling the bath.
-  **CAUTION** To avoid injury, use care when entering and exiting the hydromassage bathtub.
-  **CAUTION** Do not use drugs or alcohol before or during the use of a hydromassage bathtub equipped with a heater. Possible drowning may occur.
-  **CAUTION** Do not use a hydromassage bathtub equipped with a heater immediately following strenuous exercise.
-  **CAUTION** Use this unit only for its intended use as described in this manual. Do not use attachments not recommended by the manufacturers. Do not tamper with user-operated controls or such devices.
-  **CAUTION** Water temperature in excess of 104°F (40°C) may be injurious to your health. Check and adjust water temperature before use.

### SAVE THESE INSTRUCTIONS.

Jacuzzi Luxury Bath ("the Company") has obtained applicable code (standards) listings generally available on a national basis for products of this type. It is the responsibility of the installer/owner to determine specific local code compliance prior to installation of the product. The Company makes no representation or warranty regarding, and will not be responsible for any code compliance. Product specifications are subject to change without notice.

## Inspection and Testing

### Visual Inspection

- ① Remove the bathtub from the shipping carton. Be careful not to scratch the surface of the bathtub on exposed staples. Remove the staples or fold them into the carton. Retain the carton until satisfactory inspection of the product has been made. Do not lift the bathtub by the plumbing at any time; handle by the shell only.
- ② Inspect the shell and bathtub components. Should inspection reveal any damage or defect in the finish or visible damage to any components, do not install the bathtub. Damage or defect to the finish claimed after the bathtub is installed is excluded from the warranty. Jacuzzi Luxury Bath's responsibility for shipping damage ceases upon delivery of the products in good order to the carrier.
- ③ Refer any claims for damage to the carrier. For definitions of warranty coverage and limitations, refer to the published warranty information packed with the product or in the back of this manual.

### Bathtub Water and Operational Test

All bathtub units are factory tested for proper operation and watertight connections prior to shipping. However, the unit must be retested by the installer prior to installation. Jacuzzi Luxury Bath is not responsible for any defect that could have been discovered, repaired, or avoided by following this inspection and testing procedure:

- ① Place the bathtub on a level surface, near appropriate electrical supply, water supply, and water drainage. A driveway is a suitable choice.
- ② Cover the drain and overflow hole with tape or a stopper and fill the bathtub to the bottom of the overflow hole.
- ③ Allow bathtub to stand for 5 minutes.
- ④ Plug in motor/pump and turn unit on. Confirm that all features function as described in the Operation section of this manual. Do not install the bathtub if bathtub fails to operate as described.
- ⑤ Visually inspect all joints for leaks. Do not install the bathtub if leaks are detected.
- ⑥ Return bathtub to box or otherwise protect from damage until time of installation.

## Framing and Support

READ ALL INSTALLATION INSTRUCTIONS COMPLETELY. IMPROPER INSTALLATION WILL VOID THE WARRANTY.

### IMPORTANT

Make sure that walls and floors meet fire safety requirements of local building code and/or FHA/HUD Minimum Property Standards.

Observe all governing codes and ordinances.

- ① Proper installation is your responsibility. Have a qualified technician install this bath.
- ② Installation using a ground-fault circuit-interrupter (GFCI) is required.
- ③ It is the customer's responsibility:
  - To contact a qualified electrical installer.
  - To assure that electrical installation is adequate and in conformance with National Electrical Code (NEC).

A Technical Specifications Manual has been included with your bathtub. The Technical Specifications Manual will contain pertinent information regarding your Jacuzzi Luxury Bath product. Locate the Technical Specifications Manual at this time.

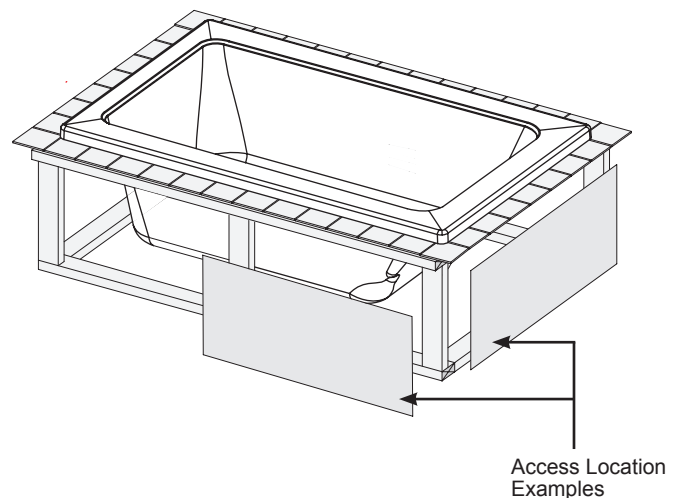
### NOTES

Finished alcove must have correct interior dimensions, as shown in the key dimension section in the Technical Specifications Manual, to properly install unit. For three wall alcove installations, use an integral molded three-sided tiling flange bathtub. Jacuzzi Luxury Bath does not recommend utilizing bathtubs without an integral tiling flange in an alcove installation where a shower head would be installed above the unit and utilized as a shower.

- In remodeling, if necessary, add studs at each end to provide a vertical nailing surface for the side nailing flanges of bath fixture product.
- To avoid obstructions during installation make sure that supply lines, spout pipe and valve plumbing do not project into alcove.
- Bathtubs require a 6" x 12" (150mm x 305mm) floor opening for the 1 ½" (38mm) drain, waste and overflow (DWO) kit.
- Be sure floor opening location matches bathtub fixture drain location.
- Use of casting plaster/plaster of paris (foundation material) is recommended in all commercial structures (i.e. hotels, motels, dormitories, health clubs, etc.).
- The unit must be supported from the bottom of the bathtub and not solely from the bathtub rim.
- Per UPC code, access must be provided to the pump/motor or blower for your specific model (Figure 1). It is the responsibility of the installer, building contractor, or owner to provide access for service. Jacuzzi is not responsible for any costs relating to obtaining access for repair. The owner shall bear such costs and, if appropriate, must seek recovery from the installer. Primary and secondary service access locations are shown in the rough-in diagrams contained in the Technical Specifications Manual.
- Provide adequate ventilation for cooling and supply sufficient air for the pump/motor or blower. Do not insulate around the equipment.

**Access Locations**

**Fig. 1**



(Illustrations above shown with framing exposed for clarity.)

## Framing and Support (Cont)

### Subfloor

- 1 Prepare the subfloor for the drain and ensure that the area is level. The drain/overflow of the bathtub extends below the bottom of the bathtub. Identify the drawing in the Technical Specifications Manual that corresponds with your bathtub.
- 2 Jacuzzi's Tru-Level™ base is a standard feature on all bathtubs. If the subfloor is level and a continuous surface, no other preparation is necessary. Proceed to the "Installation Procedures" section.
- 3 If the subfloor is not level, you must level the entire surface prior to installing the bathtub.
- 4 Ensure that the floor is level and can support a load of 50lbs. per square foot.
- 5 The bathtub must remain level in order for it to drain properly and must make contact with the leveling material.

## Electrical Connections

### **⚠ DANGER**

Risk of electric shock. Connect only to a circuit protected by a GFCI (Figure 2).

### **⚠ CAUTION**

Electrical outlet must be mounted 4" (101mm) above the floor line and 12" max (305mm) inside from the edge of the bathtub (Figure 2), or in accordance with local building and electrical codes.

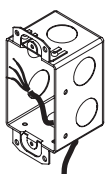
Risk of component overheating. Do not use electric extension cord to power this unit. Operating the pump without enough water in the bathtub can cause permanent damage to the pump/motor.

If the GFCI unit indicates a malfunction, per manufacturer's instructions, turn OFF power and do not attempt to use the bathtub until the source of the problem has been identified and corrected.

### NOTES

When using electrical products, basic precautions should always be followed:

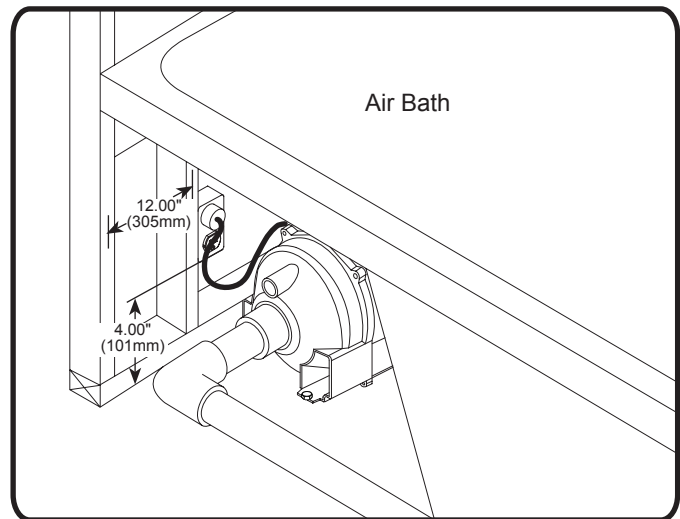
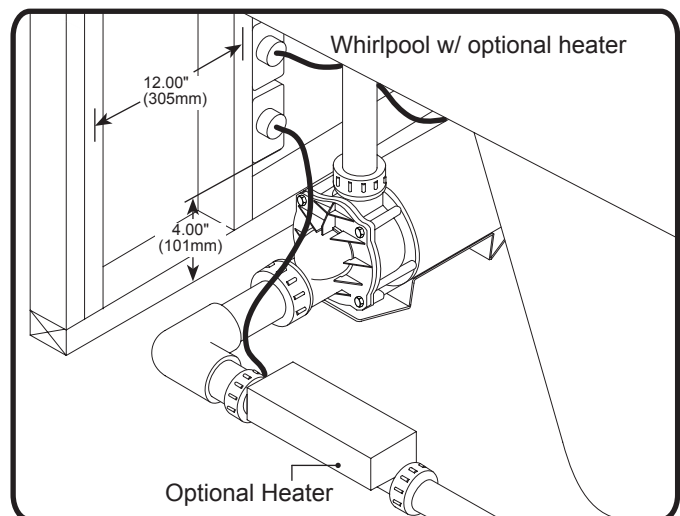
- Always follow local building and electrical codes. Grounding is required. The unit should be installed and grounded by a qualified electrician.
- A dedicated, 120VAC, 15 Amp GFCI-protected circuit is required for the pump/motor or blower. If the bathtub was purchased with a whirlpool heater installed, a separate 120VAC, 15 Amp GFCI-protected circuit is required. Bonding lugs are provided on the motor and heater to satisfy local electrical codes.



### NOTE

CANADIAN MODELS ONLY:  
The components must be hardwired in the J-Boxes (supplied) that are located on the unit.  
1 - 120VAC, 15AMP dedicated GFCI protected circuit

Fig. 2



## Installation Procedures

- 1 Make sure framed-in alcove is of proper size per Jacuzzi dimensions, square, and plumb; check floor for levelness (Figure 3). Rough-in should be kept to a minimum until the unit is on the job site. Measurements may vary +0 or -.25" from original specifications.
- 2 Sufficient clearance must be provided for access to service connections (pump/motor, blower, controls, heater plumbing and electrical hook ups).

### NOTE

Bottom support materials: Casting plaster/plaster of paris (herein referred as foundation materials) are not necessary but its use is highly recommended for a firmer bottom support.

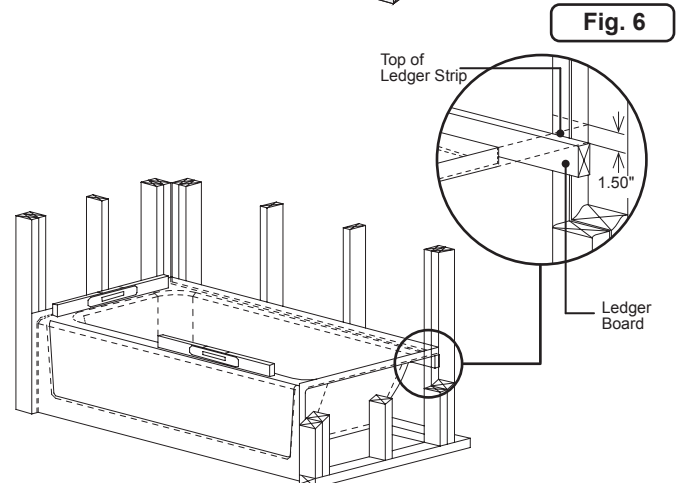
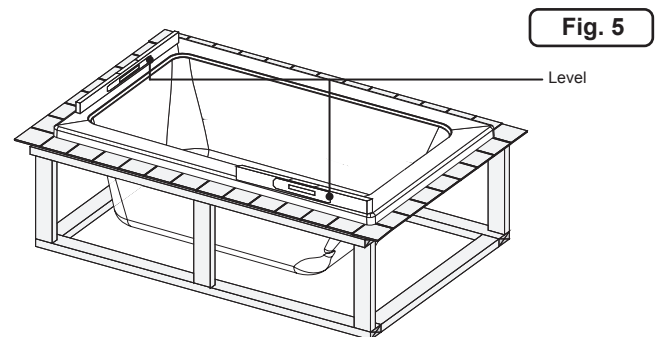
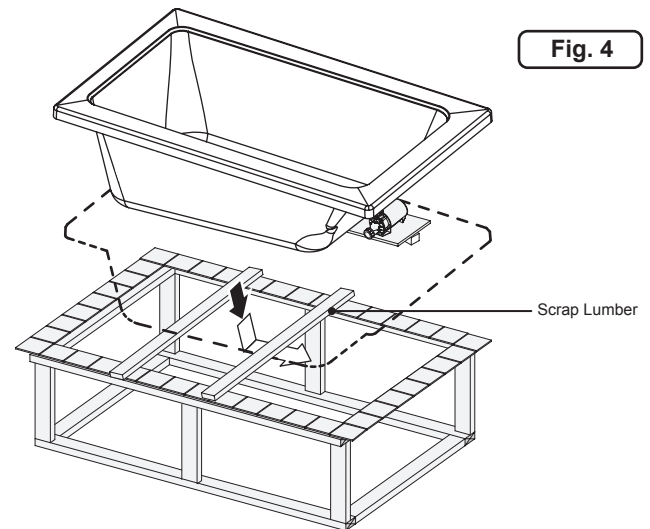
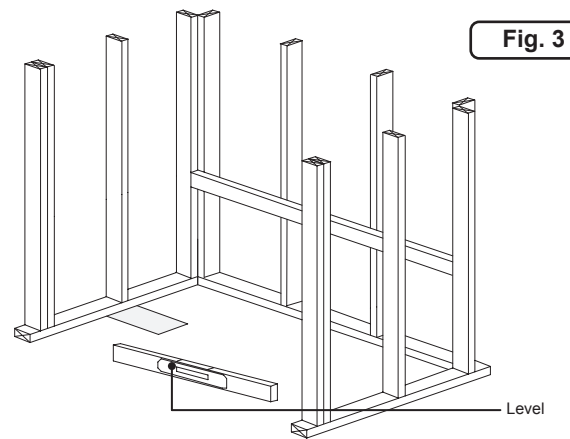
- 3 In a bucket, mix foundation material. Place a large mound of plaster on the subfloor, in the approximate location of the tub bottom center. The mounds should be placed high enough so that when the tub is set, it will cause the plaster to displace and spread.

### A. Drop In Installation

1. Place a piece of scrap lumber on each of the ends of the cutout – this will be used as a temporary support prior to lowering the bathtub fully into the opening (Figure 4).
2. Install the unit, inserting the motor/pump end first, lowering the bathtub into the opening as shown in the illustration.
3. The bathtub must be set level. To check, use a level on top of the ledges on both ends of tub and on top of threshold (Figure 5).
4. Caulk around the perimeter of bathtub to seal the space between the rim and the finished deck.

### B. 3-Wall Alcove Installation

1. Place the tub in the alcove with the front skirt firmly on the floor. The bathtub must be set level. To check, use a level on top of the ledges on both ends of tub and on top of dam (Figure 6).
2. After leveling tub, mark each stud (concrete or block wall) immediately above the back horizontal flange. Remove tub from alcove. Measure the distance between the top of the back horizontal flange and the bottom of the tub ledge approximately 1.50" (40mm). Carefully mark this dimension on the back studs (or wall), below the first mark (Figure 6 inset).
3. Jacuzzi mandates the installation of a ledger strip for support under the rear edges of bathtubs to prevent shifting. Use horizontal ledger strip along the entire rear ledge or "I", "T" supports in at least two places in vertical position. Nail a 1" x 3" x 60" (25mm x 75mm x 1525mm) ledger strip immediately below the lower marks made on framing (Figure 6 - inset).
4. Replace unit into alcove with front skirt firmly on floor. Make certain that back ledge of tub rests firmly on ledger supports. Level unit and shim ledger if necessary. The bathtub must be level.





### Installation Procedures (Cont)

- When fastening wood framing, pre-drill flanges with a 1/8" (5mm) carbide bit and fasten using #8 x 1 1/2" (38mm) self-tapping sheet metal screws; to concrete/block walls use 1" (25mm) concrete nails with nailing tool or impact.

**NOTE**

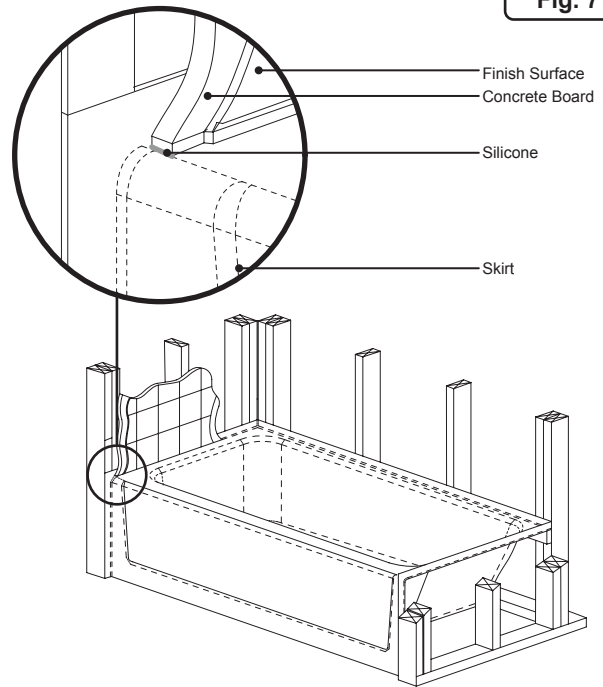
Pre-drilling and nailing flanges is recommended to avoid cracking of the acrylic unit. Silicone the top of each fastener to insure water tightness.

- Spot-fasten the two bottom corners and the two top corners of the vertical side nailing flange.
- Nail/fasten at each stud through the topside flanges at each stud 16" (405mm) on center, working from both ends toward back center. Complete the fastening through vertical side flange, approximately 8" (205mm) on center.

- When other than cementitious backer board is to be used, furring strips as thick as nailing flanges are recommended for installation on studs above the installed unit to assure walls will be flush. 100% silicone sealant with mildew resistant properties should be applied between the backer board and horizontal surface of unit (Figure 7). Then finished wall materials can be applied.
- Finishing of other trades should be done in conformance with applicable codes and generally accepted building practices.
- Use a hole saw (fine tooth or abrasive grit cutting edge) to drill holes for deck mounted tub fittings.
- Connect flex water supply lines to faucet, connect bathtub drains and plug power cords into GFCI outlets.
- Turn on the power supply to the dedicated GFCI protected circuits and check system operation.
- Caulk around the perimeter of bathtub to seal the space between the rim and the finished deck.

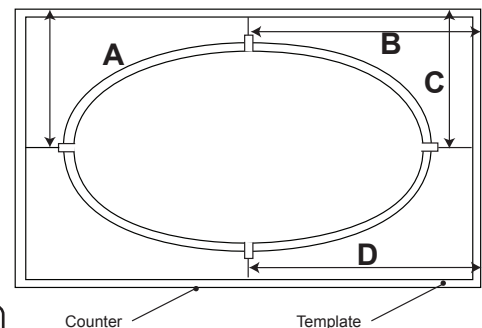
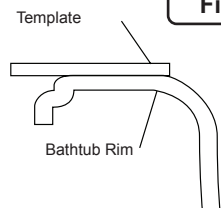
**CAUTION**

Apply a continuous bead of silicone sealant around the entire seam between the counter and the bathtub rim. Allow sealant to cure according to manufacturer's instructions.





### Undermount Installation

- Install drain/overflow according to the manufacturer's instructions.
  - Turn off power supply to dedicated GFCI protected circuits.
  - Install the unit in desired location. DO NOT use plumbing fixtures or lines to carry or lower the unit.
  - Inspect all fittings, plumbing, and control lines after inserting to insure the components are not damaged or disconnected.
  - Align the bathtub and connect the drain.
  - Insulation may be placed within the bathtub surround.
- !** Provide adequate ventilation around the motor/pump to ensure sufficient air flow and cooling.





## Undermount Installation Cont.

- 7 Cut deck/counter to fit using the undermount template provided as follows:
    - Position the template so that the desired undermount guidelines are aligned with the rim edge as shown.
    - Using a grease pencil, mark the center lines (denoted by  on template). Remove template.
    - Measure the distance from the wall, or other fixed point, to the center lines.
  - 8 Affix counter to bathtub. Clean any dirt or debris from the top of the bathtub rim. Apply a bead of silicone sealant around the entire rim of bathtub.
-  Do not use an adhesive or adhesive sealant to secure the counter to the bathtub. If maintenance or remodeling is required, the counter may have to be removed. Adhesive will permanently bond the counter to the bathtub. Carefully position the deck/counter over the bathtub. Follow manufacturer's instructions to determine cure time.
- 9 Apply a continuous bead of silicone sealant around the entire seam between the counter and the bathtub rim. Allow sealant to cure according to manufacturer's instructions.
  - 10 Turn on the power supply to the dedicated GFCI protected circuits and check system operation.

## Cleanup

To avoid dulling and scratching the surface of the bathtub, never use abrasive cleaners. For most soiled surfaces, a mild liquid detergent and warm water is sufficient. The following is also recommended:

- Remove spilled plaster with a wood or plastic edge. Spots left by plaster or grout can be removed if lightly rubbed with detergent on a damp cloth or sponge. Do not use metal scrapers, wire brushes or other metal tools, as they will damage the bathtub's surface.
- Paint, tar, or other difficult stains can be removed with Fantastik® or soapy water.
- Minor scratches which do not penetrate the color finish can be removed by lightly sanding with 600-grit wet/dry sandpaper. You can restore the glossy finish to the acrylic surface of the bathtub with a special compound, Meguiar's #10 Mirror Glaze. If that is not available, use automotive rubbing compound followed by an application of automotive paste wax.
- Major scratches and gouges which penetrate the acrylic surface will require refinishing. Call Jacuzzi Luxury Bath to find a service agent in your area.

## General Operation Information

All bathtubs manufactured by Jacuzzi Luxury Bath are designed for "fill and drain," which means the bathtub should be drained after each use and filled with fresh water by the next bather. This is a health precaution, as these bathtubs are not designed to hold water continuously like pools or spas.

Close the drain and fill the bathtub until water is at least 1" to 2" (25mm to 51mm) above the highest jet or air injector (see water line indicated in the illustration - Figure 8). Do not turn on the whirlpool or air bath system at any time if the jets or air injectors are not completely immersed in water. Running the whirlpool or air bath system when there is insufficient water in the bathtub could result in water spraying outside the bath area.



### NOTE

When exiting the bathtub, the water level will drop below the jets which could result in water being sprayed out of the unit. To prevent this, you must turn unit OFF before exiting bathtub.


**Fig. 8**

Fill to at least 1" to 2"  
above highest jet

## Whirlpool Operation

- ON:** Press the  button once to turn the whirlpool system ON.
- OFF:** Press the  button a second time to turn the whirlpool system OFF.


**Fig. 9**

## Whirlpool Operation Cont.

### Direction (Figure 10A)

To change the direction of the water flow, swivel the jet nozzle to the desired angle.

### Water Force (Figure 10B)

Increase the force of the flow by rotating the jet face to the left (counterclockwise).

Decrease the force of the flow by rotating the jet face to the right (clockwise).

Fig. 10A

Direction

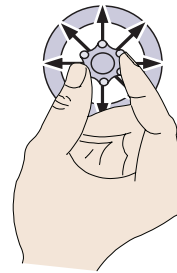
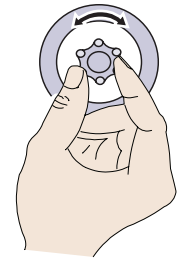


Fig. 10B

Water Force



### CAUTION


Never run the whirlpool system with all the jets closed.

## Whirlpool Operation w/Chromatherapy

### Press button 1st time:

Turns colored lighting ON, use   buttons to start color scroll or select alternate color.



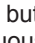
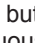
### Press button 2nd time:

Turns white lighting ON, use   buttons to select intensity of white light.

### Press button 3rd time:

Turns all lighting OFF.

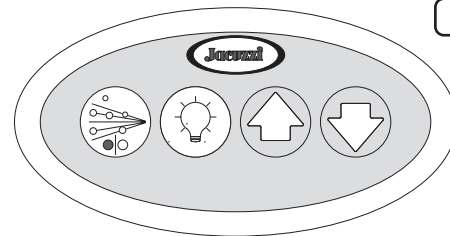
### Colored Lighting Operation

The colored lighting default is constant blue. Pressing the  button activates color scroll in this order: blue, teal, green, yellow, orange, red, pink, purple and then returns to blue and continuously repeats. To stop on a selected color, press the  button again. Pressing the  button activates color scroll in this order: blue, purple, pink, red, orange, yellow, green, teal and then returns to blue and continuously repeats. To stop on a selected color, press the  button again.

### White Lighting Operation


There are five white light intensities. Press the  button to increase light intensity. Press the  button to decrease light intensity.

Fig. 11



## Air Bath System

### Blower Operation

**ON:** Press the  button once to turn the blower ON.

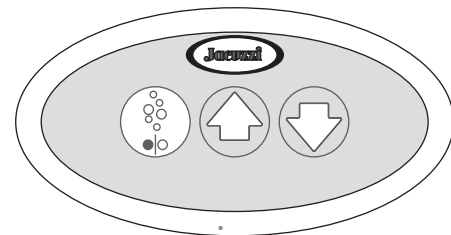
The blower will start on high speed (on first use).

**OFF:** Press the  button a second time to turn the blower OFF.

### NOTE

The last blower setting used is remembered by the system and will automatically resume upon next use.



Fig. 12



### Increase Speed

Press the  button to increase blower speed.



There are 5 blower intensities. Each push and release of the  button will increase blower intensity through 5 incremental steps.

Alternately, if the  button is depressed and held, the blower intensity will increase through each of the 5 blower intensities, stopping when the  button is released.

### Decrease Speed

Press the  button to decrease blower speed.

There are 5 blower intensities. Each push and release of the  button will decrease blower intensity through 5 incremental steps.

Alternately, if the  button is depressed and held, the blower intensity will decrease through each of the 5 blower intensities, stopping when the  button is released.

## Purging the Whirlpool System

To remove accumulations of bathtub residue from the whirlpool system, it is recommended that a whirlpool bathtub be cleaned at least twice a month. For best results, however, we recommend that you clean your whirlpool bathtub after each use using, Systems Clean™, our exclusive two-part plumbing system cleaner made specifically for whirlpool bathtubs. Systems Clean™ is available through an authorized Jacuzzi Whirlpool Bath Distributor or by calling us direct at 1-800-288-4002.


## Purging the Air Bath

The air bath blower will operate for 20-minutes and then automatically shut off to end the bath, unless power is manually turned off. In either case, twenty minutes after the blower has shut down, the blower will turn ON for a 1-minute drying cycle to blow out any water remaining in the air channel.

If the bath is used without the blower operating (showering or bathing without using the blower), initiate the 1-minute drying cycle manually by use of the ON/OFF switch. Turn the switch ON and OFF again as you exit the bath and the drying cycle will occur in twenty minutes.

## Daily Purge

### To Activate:

Holding the  button for 5-seconds when the blower is off activates the daily purge. The blower will start every day at the same time for 1-minute. Once the daily purge is activated, the blower will come on for 1-second, turn off for two-seconds, come on for 1-second and then turn off.

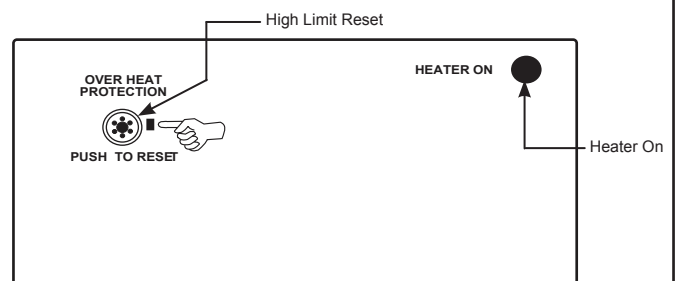
### To Deactivate:

Holding the  button for 5-seconds when the blower is off deactivates the daily purge. When the daily purge is deactivated, the blower will come on for 1-second and then turn off.

## In-Line Maintenance Heater (Whirlpool models only)

The heater turns ON automatically any time whirlpool operation is active. Heater operation is not displayed on the control panel. There is a visible indicator light on the heater itself that signifies the heater is operating. The heater will help maintain the temperature of the water in the bathtub (Figure 14).

Fig. 14



## Vacuum Switch

The heater is equipped with a preset vacuum switch which will not allow the heater to turn ON if the pump is not running and water is not flowing through the whirlpool system.

## High-Limit Switch

The heater includes an exclusive High-Limit switch. This safety circuit will not false trip from hot tap water. It will only turn OFF the heater if the thermostat fails. To reset, press the button. If the high-limit trips frequently, please contact us at [www.jacuzzi.com](http://www.jacuzzi.com), or at 1-800-288-4002.

## Cleaning



**Do not use oil or oil-based bathtub additives. Never use abrasive, or caustic, household cleaners on any Jacuzzi Luxury Bath product.**

If you want to use any kind of bathtub additive, use only a small amount of low-foaming powder or crystal substance; the whirlpool action intensifies the foaming properties of soaps.

The use of certain bathtub oils, bubble baths, and bathtub additives may increase the level of accumulations of bathtub residue in the whirlpool system and may cause false reading of the water level sensors. If excess accumulations persist, you should discontinue use of these products.

To remove accumulations of bathtub residue from the whirlpool system, it is recommended that a bathtub be cleaned regularly. For best results, however, we recommend that you clean your whirlpool bathtub after each use using Systems Clean™, our exclusive two-part plumbing system cleaner made specifically for whirlpool bathtubs. Systems Clean™ is available through an authorized Jacuzzi Luxury Bath Distributor or by calling us direct at 1-800-288-4002 or may be purchased online at [www.jacuzzi.com](http://www.jacuzzi.com).

## Maintenance

To clean your bathtub, simply use a mild, nonabrasive liquid detergent solution. You can protect and restore the gloss to a dulled acrylic surface by applying Meguiar's #10 Mirror Glaze, a product specifically designed for use on acrylic finishes. If Meguiar's is not available, use a fine grade automotive rubbing compound followed by an application of clear automotive paste wax.

Minor scratches which do not penetrate the color finish can be removed by lightly sanding with 600-grit wet/dry sandpaper. Restore the gloss using Meguiar's Mirror Glaze or automotive paste wax. Major scratches and gouges which penetrate the acrylic surface will require refinishing. Call Jacuzzi Luxury Bath to find a service agent in your area.

### Whirlpool Suction Cover/Strainer Maintenance

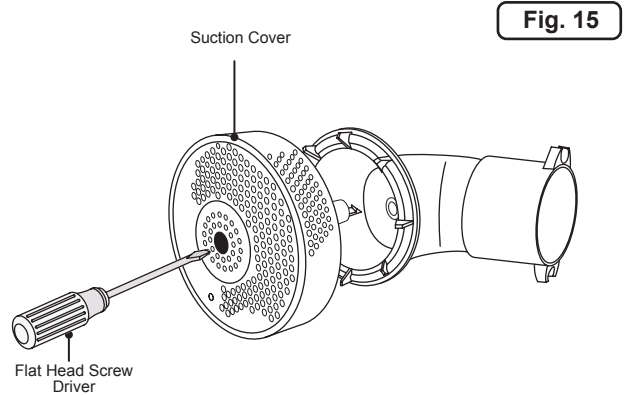
Clean the whirlpool suction cover/strainer of hair and debris when necessary (Figure 15).

- ① Insert and push flat head screw driver into the center of the suction cover and remove cover.
- ② Clean the cover by backflushing debris from the holes.
- ③ Replace the suction cover immediately after cleaning.

#### WARNING

Keep hair a minimum of 6.00" (152 mm) away from the suction fitting at all times when the whirlpool system is operating. Hair longer than shoulder length should be secured close to the head, or a bathing cap should be worn.

Do not operate the whirlpool system with the suction cover/strainer removed! It is a safety device and must always be in place on the suction fitting to minimize the potential hazard of hair and body



## Skirt Panel Installation (Select skirted models only)

### NOTE

The skirt installation listed in this section are used for the select bathtub only. All other Comfort Collection bathtubs will utilize magnets to secure the skirt panels.

#### To remove the skirt panel -

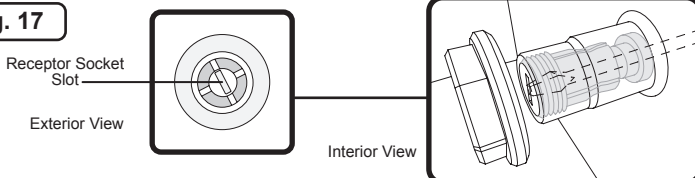
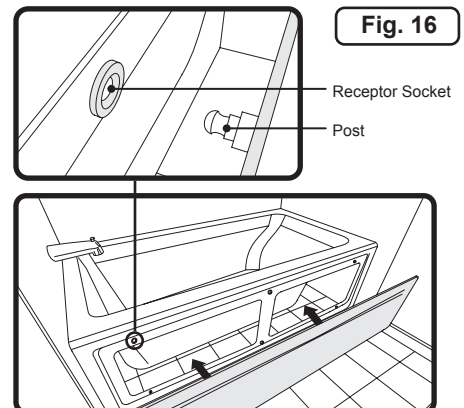
Grasp an edge of the skirt panel and pull to separate.

#### To reinstall the skirt panel (Figure 16) -

Align the six (6) posts on the panel with the six (6) receptor sockets on the tub and press into place.

#### Skirt Panel Adjustment (Figure 17) -

Insert a standard screwdriver into the receptor socket, through the slot at the rear. Turn clockwise to tighten and counter-clockwise to loosen.

**Fig. 17**

**Fig. 16**


## Troubleshooting Procedures

PROBLEM	PROBABLE CAUSES	REMEDY
Whirlpool - Pump/motor does not start	No power to pump/motor Pump/motor not plugged in  Pump/motor faulty	Reset GFCI Insert plug securely into outlet Ensure the control panel is connected to control box Contact Jacuzzi Luxury Bath @ 800-288-4002
Whirlpool - Pump/motor operates but no fully adjustable jets are functioning	Jets are closed  Suction cover/strainer may be clogged	Open jets by rotating counter-clockwise  With the motor turned OFF, remove the suction cover/strainer and remove any debris. Replace the suction cover before operating
Whirlpool - Water leakage from pump unions	Overtightened, O-ring may be pinched or improperly seated, undertightened	Loosen unions , check and reseal O-ring. If O-ring has been pinched out of shape, replace (refer to number below). When tightening union nuts, handtighten only.
Whirlpool - Pump/motor shuts off by itself before time elapses	Motor thermal protection has deactivated pump/motor due to overheating (supply voltage low)  GFCI tripped  Inadequate supply wiring	Let motor cool; thermal protection will reset. Check for proper ventilation (check supply voltage)  Reset GFCI. If it continues to trip, do not use this unit. Disconnect the unit and have the problem corrected by a licensed electrician before using.  Consult a licensed electrician to correct the wiring unit.
Water not maintaining temperature	High Limit switch on heater has been tripped	Press Reset button on heater
Air Bath - Blower does not start	No power to blower Blower not connected  Blower faulty	Reset GFCI and/or breaker Ensure plug is fully in outlet Ensure control panel is connected to control box Ensure control box is connected to control panel Contact Jacuzzi Luxury Bath @ 800-288-4002
Air Bath - Blower operates but air is not exiting all of the holes  Air Bath - Blower shuts off unexpectedly	Obstructed air holes  20 minute timer has elapsed GFCI tripped Inadequate supply wiring Improper ventilation	Remove debris with a toothpick or tooth brush  Turn on blower Reset GFCI. If it continues, to trip, do not use the unit Consult a licensed electrician to correct Contact Jacuzzi Luxury Bath @ 800-288-4002
Chromatherapy lights do not operate	Connector has come loose	Contact Jacuzzi Luxury Bath @ 800-288-4002

**NOTE**

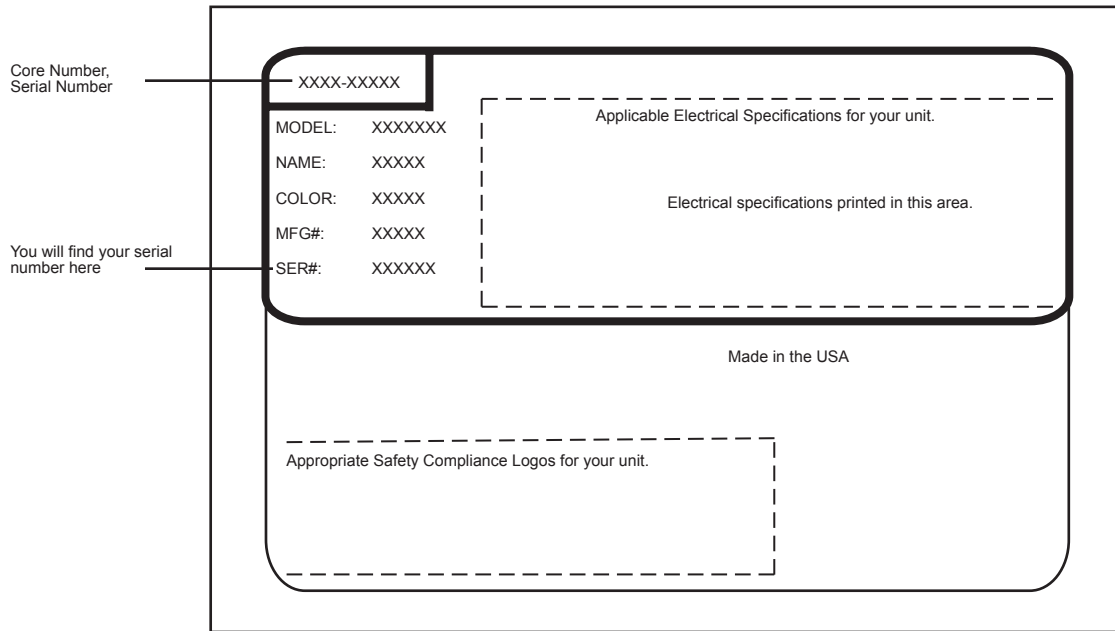
If the unit is within the warranty period, contact Jacuzzi Luxury Bath Service Support at 1-800-288-4002 with your bath's serial number before work is started. The serial number is located on the Specification/Serial Number Plate (the plate is located behind the equipment area).

## Authorized Service

If you need a referral for a service company near you, or need assistance with operation or maintenance-related questions, please call our Service Support Department at 1-800-288-4002. Visit our web site at <http://www.jacuzzi.com/> for products, services, and an online copy of these Installation and Operation Instructions.

When requesting service or technical assistance please have available both the model and serial number of your unit. This information can be obtained from the product registration card provided with your unit. If the card has been misplaced, this information can be obtained from the specification/serial number label on the unit itself. The label is located on the wall of the bathtub near the pump/motor.

## SPECIFICATION/SERIAL NUMBER LABEL



PRODUCT SPECIFICATIONS ARE SUBJECT TO CHANGE WITHOUT NOTICE.

USE TECHNICAL SPECIFICATIONS MANUAL SUPPLIED WITH PRODUCT.

Jacuzzi® Luxury Bath has obtained applicable code (standards) listings generally available on a national basis for products of this type. It is the responsibility of the installer/owner to determine specific local code compliance prior to installation of the product.

Jacuzzi® Luxury Bath makes no representation or warranty regarding, and will not be responsible for any code compliance.

Jacuzzi® Luxury Bath  
14525 Monte Vista Avenue  
Chino, California, 91710  
1-800-288-4002  
[www.jacuzzi.com](http://www.jacuzzi.com)



# Limited Lifetime Warranty on Jacuzzi Luxury Branded Baths for the Comfort, Pure Air®, Luxury, Salon™ Spa, and Pure Air® II Collections

## WARRANTY COVERAGE

Jacuzzi Luxury Bath (the "Company") offers the following expressed limited lifetime warranty to the original purchaser of any Jacuzzi® Luxury Bath products provided in the Company's Comfort, Pure Air®, Pure Air® II, and Luxury™ collections ("Bath") who purchases the Bath for personal or single family residential use ("User"): The Company will repair or replace, at its sole option, the Bath or its equipment in accordance with the following terms and conditions. This warranty does not apply to non-branded Bath products manufactured by the Company.

### LIFETIME WARRANTY ON BATHS

The Company extends to the User of the Bath a non-transferable limited lifetime warranty that the shell will maintain its structural integrity and configuration and be free of water loss due to a defect in the bathtub shell. This warranty covers only the bathtub shell and the manufacturer installed pump, jets, controls, and blower against defects in material or workmanship. This warranty does not apply to any display models or to any options or accessories which are covered under our limited ninety (90) day warranty set forth below. Warranty coverage begins on the date the unit was originally purchased by the User and upon receipt by the Company of a completely filled out Warranty Registration Card as described below.

### 2 YEAR LABOR WARRANTY FOR ALL FACTORY INSTALLED COMPONENTS

Our limited labor warranty is for a period of two (2) years from the date the unit was originally purchased by the User, but not more than Three (3) Years from date of manufacture. All factory installed components (e.g., pump, motor, blower, and plumbing) are covered under our labor warranty against failure due to defects in materials and workmanship.

### NINETY DAY (PARTS ONLY) LIMITED WARRANTY ON OPTIONS AND ACCESSORIES

Our limited warranty on options and accessories is for ninety (90) days for parts only. Our warranty covers options and accessories manufactured (e.g., drains fill spout kits, trim kits, skirts, video monitors, plasma television screens, CD and MP3 players and other music and video devices and optional heaters) against defects in material or workmanship. Warranty coverage begins on the date the option or accessory was originally purchased by the User. These items may be covered by a manufacturer's warranty which may have a longer duration than this limited warranty. Please confirm with the manufacturer the duration of the appropriate warranty for Options and Accessories.

### WARRANTY LIMITATIONS

Our limited warranty does not cover defects, damage, or failure caused by the common carrier, installer, user, or other persons, pets, or rodents, or resulting from, without limitation, any of the following: careless handling (lifting unit by plumbing, abrading finish, etc.) including its own negligence; modification of any type for any reason (including modification to meet local codes); improper installation (including installation not in accordance with instructions and specifications provided with the unit); connections supplied by the installer of the equipment; improper voltage supply or unauthorized electrical modification; misuse; incorrect operation, or lack of proper routine maintenance; operation of the unit without specified minimum amount of water or at inappropriate water temperature; use of abrasive or improper cleaners; or acts of God, such as lightning, floods, earthquakes, etc.

In addition, THE COMPANY WILL NOT BE RESPONSIBLE FOR INCIDENTAL OR CONSEQUENTIAL DAMAGES or losses arising from any cause (e.g., water damage to carpet, ceiling, tiles, marble, loss of use, etc.) including its own negligence; damages to, respecting, or resulting from: plated parts when pool and/or spa chemicals are used in the unit or hard water conditions; optional bath equipment not manufactured by the Company but supplied by Dealer, installer or the Company; the unit's prior usage as an operational display; or defects that should have been discovered before installation.

This limited warranty does not include: labor, transportation, or other costs incurred in the removal and/or reinstallation of the original unit and/or installation of a replacement unit; any costs relating to obtaining access for repair; or loss of use damage, including loss of sales, profit or business advantage of any kind under any circumstances. Bath units are excluded from any warranty coverage if any addition, deletion, or modification of any kind whatsoever has been made to the unit (or to any component). Warranty coverage is provided in the United States of America and Canada only.

### EXCLUSION OF IMPLIED WARRANTIES

IMPLIED WARRANTIES OF MERCHANTABILITY AND FITNESS FOR A PARTICULAR PURPOSE ARE DISCLAIMED ALTOGETHER OR TO THE FULLEST EXTENT ALLOWED BY LAW.

NOTICE: This warranty gives you specific legal rights, and you may also have other rights which vary from state to state. There are no warranties applicable to Jacuzzi Luxury Bath products except as expressly stated herein or as implied by applicable state and federal laws. The Company will not be responsible for any statements or representations made in any form that go beyond, are broader than or are inconsistent with any authorized literature or specifications furnished by the Company. Some states do not allow limitations on how long an implied warranty lasts, or the exclusion or limitation of incidental or consequential damages, so the above limitations and exclusions may not apply to you.

## RETURN OF WARRANTY REGISTRATION

To register your product, please go to our web-site Jacuzzi.com, click on Bath and Showers, then select ONLINE WARRANTY REGISTRATION from the top of the page. You will then be prompted to enter your product Serial Number followed by your warranty registration information. Or you may also register by completing the registration below and mailing it to jacuzzi at the address provided below.

The attached Warranty Registration MUST be filled out by the purchaser within thirty (30) days from purchase and received by Jacuzzi Luxury Bath in order for this warranty to become effective.

## RESPONSIBILITIES OF OTHERS

Inspecting the unit prior to installation is the responsibility of the installer or building contractor who acts on behalf of the User. They are responsible for ensuring the unit is free of defect or damage. Notices are placed on and in the unit and on the shipping carton advising the installer of this responsibility. In the event of a problem, the unit must not be installed. The Company is not responsible for failures or damage that could have been discovered, repaired, or avoided by proper inspection and testing (including proper water testing) prior to installation.

Damage occurring in transit is the responsibility of the carrier. The User or installer MUST open the crate and inspect the unit for damage when it is delivered. If damage is discovered, it must be reported immediately to the seller and the carrier in writing, and an inspection requested. Failure of the carrier to respond should be reported to the seller and the carrier. Your freight claims should be filed promptly thereafter.

Damage occurring to the unit during installation is the responsibility of the installer and/or building contractor and damage occurring thereafter is the responsibility of the user.

Failure of any optional equipment is the sole responsibility of the equipment manufacturer except as provided above and shall not extend to or apply to any replacement parts for the Options and Accessories. Any replacement parts shall be covered by the original equipment manufacturer.

The Distributor or Dealer is responsible for knowing local code requirements and notifying the installing contractor and/or User of these requirements at the time of purchase. The Company is not responsible for costs to modify any product to obtain any code approval, such as city, county, or state building codes in U.S.A. or municipal or provincial codes in Canada.

## WARRANTY SERVICE

For the customer's benefit, the Company maintains a list of independent service personnel to perform required warranty service repairs. Such firms are not agents or representatives of the Company and cannot bind the Company by words or conduct.

The Company will provide the warranty service described above when the following conditions have been met: the failure is of the nature or type covered by the warranty; the User has informed an Authorized Jacuzzi Luxury Bath Service Agent or Warranty Service Department Representative of the nature of the problem during the warranty period; conclusive evidence (e.g., proof of purchase or installation) is provided to the foregoing by the user proving that the failure occurred or was discovered within the warranty period; an authorized independent service person or Company representative has been permitted to inspect the unit during regular business hours within a reasonable time after the problem was reported by the User. In order to obtain warranty service, contact Jacuzzi Luxury Bath at:

jacuzzi.com  
or  
Warranty Service Department  
14525 Monte Vista Avenue  
Chino, California 91710  
Call: 1-(800) 288-4002

To obtain warranty replacement for factory-installed components for Company supplied options and accessories manufactured and supplied by the Company, call or write the above. Provide a description of the problem and proof of purchase. You will be instructed how to obtain replacements and where to return, at your expense, the failed component(s), option(s), or accessory(ies).

All replacement parts, equipment, and repairs shall assume the remaining warranty period of the part(s) replaced.

The Company's warranty obligation shall be discharged upon tender of replacement or repair. The customer's refusal to accept the tender terminates the Company's warranty obligation.

Ninety-Day  
Parts Only  
Limited Warranty  
On  
Accessory(ies)



Jacuzzi® Luxury Bath  
14525 Monte Vista Avenue  
Chino, California 91710



# WARRANTY REGISTRATION CARD

To complete your registration, visit our website at [www.jacuzzi.com](http://www.jacuzzi.com) or fill out and mail this card to the address printed on the other side within thirty (30) days from date of purchase in order for this warranty to be come effective.



Purchaser's Name \_\_\_\_\_  
 Purchaser's Address \_\_\_\_\_  
 City \_\_\_\_\_ State \_\_ Zip \_\_\_\_\_  
 Home Phone: \_\_\_\_\_ Cell Phone: \_\_\_\_\_  
 Email: \_\_\_\_\_  
 Date of Purchase \_\_\_\_\_  
 Model Name \_\_\_\_\_  
 Serial Number \_\_\_\_\_  
 Dealer's Name \_\_\_\_\_  
 Dealer's Address \_\_\_\_\_

1. How did you first hear about this Jacuzzi® product?  
 Advertisement  Article in Magazine/Newspaper  
 Visited Dealer/Plumbing Supplier  Yellow Pages  
 Builder/Plumber/Remodeler  Decorator/Architect  
 Visited Retailer/Home Center Store  
 Word of Mouth . . . Friend/Relative/Acquaintance  
 Other (Please Describe) \_\_\_\_\_
2. Who first gave you specific information about this product (specifications, prices, etc.)?  
 Dealer/Plumbing Supplier  Builder  Remodeler  
 Plumbing Contractor  Retailer/Home Center Store  
 Decorator/Architect  Already Installed
3. What was the main reason for purchase?  
 Styling  Warranty Service  Product Features  
 Brand Name  Price  Hydrotherapy  
 Home Resale \_\_\_\_\_  
 Other \_\_\_\_\_
4. Who finally decided which product you would buy?  
 Self  Spouse  Self and Spouse Together  
 Other Family Member  Designer/Architect  
 Builder/Plumber/Remodeler  Already Installed
5. Who installed?  Already installed/New Home  
 Contractor/Plumber when remodeling  
 Self/Spouse when remodeling  
 Other \_\_\_\_\_
6. What is the current market value of this property?  
 Please estimate \$ \_\_\_\_\_
7. What is the age of the head of the household? Years \_\_\_\_\_
8. What other manufacturers did you consider?  
 Eljer  Lasco  Price Pfister  Aqua Glass  
 Kohler  American Standard  Sterling  
 Other (Specify) \_\_\_\_\_
9. How long did you shop before purchasing unit?  
 1 day  2 months- 6 months  
 2-7 days  6 months- 1 year  
 1 week- 2 weeks  1 year- 2 years  
 2 weeks- 4 weeks  +2 years  
 1 month- 2 months
10. Approximately how long have you lived in this home \_\_\_\_\_?
11. Please indicate, approximately, the total annual income of your household.  
 Up to \$24,999  \$50,000 to \$74,999  
 \$25,000 to \$29,999  \$75,000 to \$99,999  
 \$30,000 to \$39,999  \$100,000 to \$149,999  
 \$40,000 to \$49,999  \$150,000 and Above
12. Was your purchase process?  
 Very easy  Easy  Difficult  Very Difficult
13. How technically aware were you of the patented Jacuzzi® jet system prior to your purchase?  
 Not aware  Somewhat aware  Very aware

Ninety-Day
Parts Only
Limited Warranty
On
Accessory(ies)