

SUPERPLAN

- exclusive, elegant design
- with a depth of 0.98 inch extremely flat and ideally suitable for installing flush with the floor
- made of Kaldewei steel enamel 3.5 mm



Illustration shows Model 405

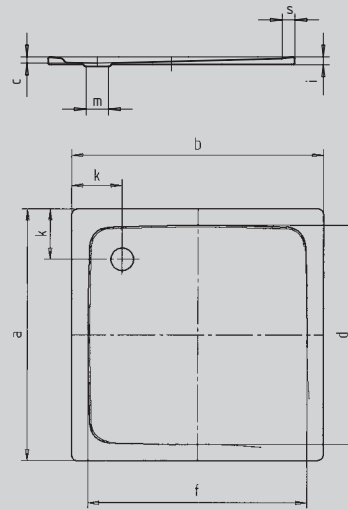
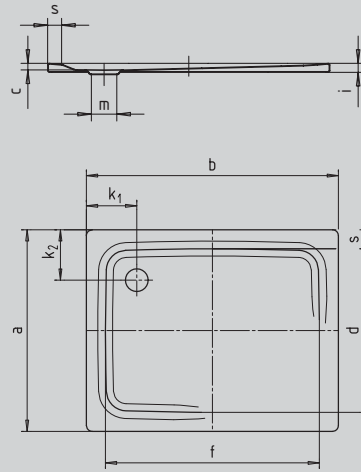


Illustration shows Model 391



ADA

ADA

ADA

Model No.		391		391		405		405		401		401		403		403		389		389		406		406		407		407		399		399	
		inch	mm	inch	mm	inch	mm	inch	mm	inch	mm	inch	mm	inch	mm	inch	mm	inch	mm	inch	mm	inch	mm	inch	mm	inch	mm	inch	mm	inch	mm		
External length	a	39.37	1000	35.43	900	27.56	700	29.53	750	31.50	800	35.43	900	39.37	1000	47.24	1200	39.37	1000	47.24	1200	47.24	1200	47.24	1200	47.24	1200	47.24	1200	47.24	1200		
External width	b	39.37	1000	43.31	1100	47.24	1200	47.24	1200	47.24	1200	47.24	1200	47.24	1200	47.24	1200	47.24	1200	47.24	1200	47.24	1200	47.24	1200	47.24	1200	47.24	1200	47.24	1200		
Depth	c	0.98	25	0.98	25	0.98	25	0.98	25	0.98	25	0.98	25	0.98	25	0.98	25	0.98	25	0.98	25	0.98	25	0.98	25	0.98	25	0.98	25	0.98	25		
Internal length	d	34.25	870	31.10	790	23.23	590	25.20	640	27.56	700	31.10	790	35.04	890	42.13	1070	35.04	890	42.13	1070	42.13	1070	42.13	1070	42.13	1070	42.13	1070	42.13	1070		
Internal width	f	34.25	870	38.98	990	42.91	1090	42.91	1090	43.31	1100	42.91	1090	42.91	1090	42.13	1070	42.91	1090	42.13	1070	42.13	1070	42.13	1070	42.13	1070	42.13	1070	42.13	1070		
Height of rim	i	1.26	32	1.26	32	1.26	32	1.26	32	1.26	32	1.26	32	1.26	32	1.26	32	1.26	32	1.26	32	1.26	32	1.26	32	1.26	32	1.26	32	1.26	32		
Distance tray edge to centre of drain hole	k ₁ ; k ₂	7.87	200	7.87	200	7.87	200	7.87; 8.86	200; 225	7.87	200	7.87	200	7.87	200	7.87	200	7.87	200	7.87	200	7.87	200	7.87	200	7.87	200	7.87	200	7.87	200		
Diameter of drain hole	m	3.54	90	3.54	90	3.54	90	3.54	90	3.54	90	3.54	90	3.54	90	3.54	90	3.54	90	3.54	90	3.54	90	3.54	90	3.54	90	3.54	90	3.54	90		
Width of rim	s	2.56	65	2.17	55	2.17	55	2.17	55	1.97	50	2.17	55	2.17	55	2.17	55	2.17	55	2.17	55	2.17	55	2.17	55	2.17	55	2.56	65	2.56	65		
Weight of the enamelled shower tray in lbs		59.52		57.32		50.71		52.91		55.12		63.93		68.34		81.57		68.34		81.57		81.57		81.57		81.57		81.57		81.57		81.57	

Shower trays displaying **ADA** will comply with the Americans with Disabilities Act when installed per the requirements of the Accessibility Guidelines

Subject to technical alterations, tolerances and errors. Similar illustration.

KALDEWEI