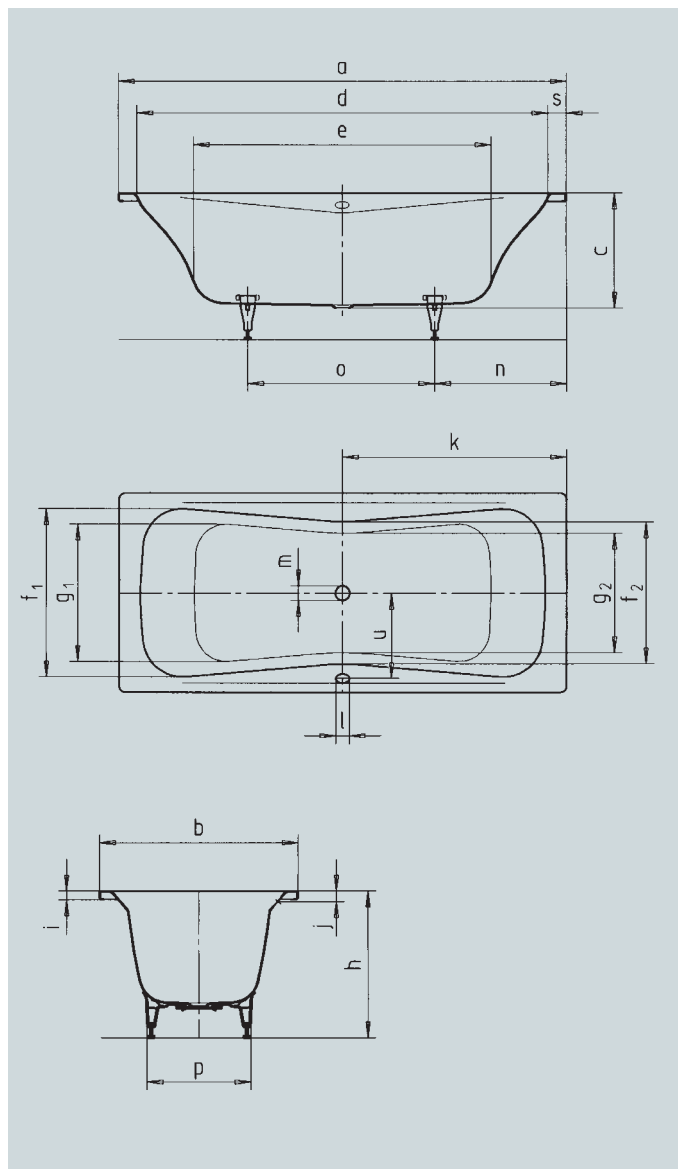


DYNA DUO

- bathing with a friend: two identical back rests and centrally positioned outlet
- the high overflow allows the bathwater to be particularly deep
- classic four-cornered model
- made of Kaldewei steel enamel 3.5 mm



Model no.		610	611
External length	a	1700	1800 mm
External width	b	750	800 mm
Depth	c	430	450 mm
Internal length (top)	d	1590	1660 mm
Internal length (bottom)	e	1100	1150 mm
Internal width (top)	f ₁ ; f ₂	640; 550	690; 580 mm
Internal width (bottom)	g ₁ ; g ₂	500; 380	490; 440 mm
Height with feet	h	535-573	580-615 mm
Height of rim	i	32	32 mm
Distance top edge to centre of overflow hole	j	50	38 mm
Distance tub edge to centre of drain hole	k	850	900 mm
Diameter of overflow hole	l	52	52 mm
Diameter of drain hole	m	52	52 mm
Distance foot end of tub edge to centre of foot	n	500	510 mm
Distance between the feet	o	700	780 mm
Max. width of feet	p	390	430 mm
Width of rim (foot end)	s	55	60 mm
Distance between centre holes	u	285	322 mm
Water volume** in litres		140	200
Weight of the enamelled bath tub in kg		49	62
Anti-slip		Ø 288	Ø 435 mm
Full anti-slip		900 x 300	900 x 300 mm

Subject to technical alterations and tolerances.
 ** 70 litres displacement on average.