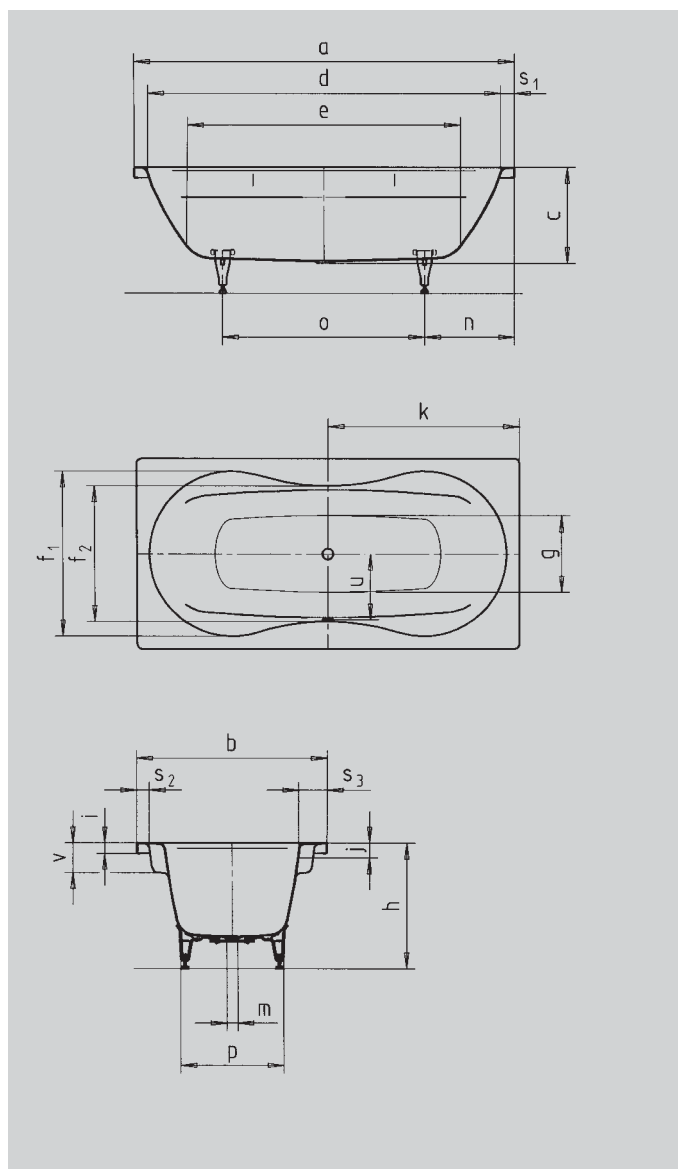
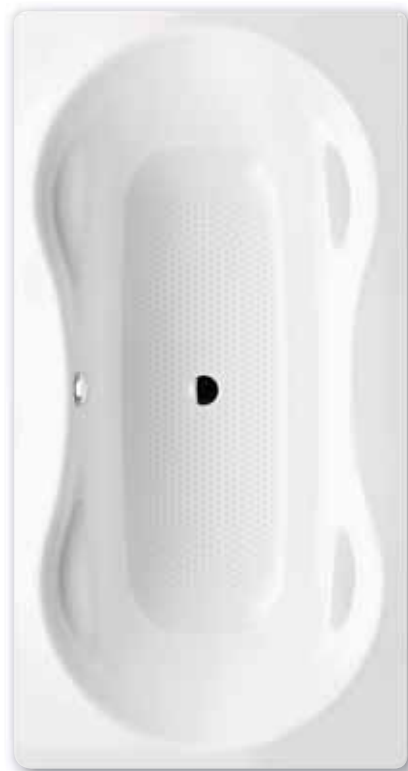


MEGA DUO

- bathing with a friend: two identical back rests and centrally positioned outlet
- wide arm rests on both sides provide optimum bathing comfort
- classic four-cornered model
- made of Kaldewei steel enamel 3.5 mm



		inch	mm
Model No.		180	180
External length	a	70.87	1800
External width	b	35.43	900
Depth	c	17.72	450
Internal length (top)	d	66.14	1680
Internal length (bottom)	e	50.79	1290
Internal width (top)	f ₁ ; f ₂	30.71; 25.20	780; 640
Internal width (bottom)	g	14.17	360
Height with feet	h	22.24-23.62	565-600
Height of rim	i	1.97	50
Distance top edge to centre of overflow hole	j	2.76	70
Distance tub edge to centre of drain hole	k	35.43	900
Diameter of overflow hole	l	2.05	52
Diameter of drain hole	m	2.05	52
Distance foot end of tub edge to centre of foot	n	19.29	490
Distance between the feet	o	32.28	820
Max. width of feet	p	18.90	480
Width of rim (foot end; lengthwise)	s ₁ ; s ₂ ; s ₃	2.36; 2.36; 5.12	60; 60; 130
Distance between centre holes	u	12.20	310
Armrest depth	v	5.51	140
Water volume** in gallons		49.14	
Weight of the enamelled bath tub in lbs		132.28	

Subject to technical alterations and tolerances.
 ** 18.49 gallons displacement on average.

KALDEWEI