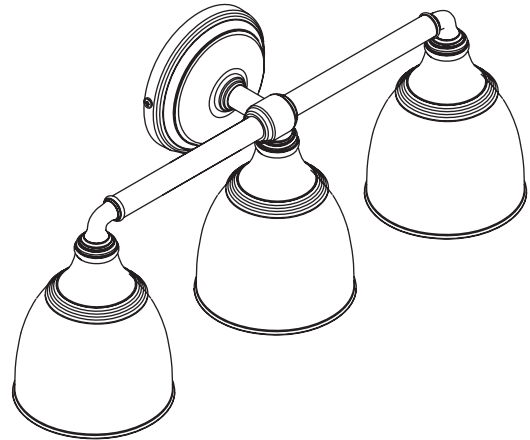


Features

- Metal construction
- Complements Devonshire® faucet line
- Can be positioned facing up or down
- Maximum 100-W bulb (not supplied) required for each light

WALL SCONCE K-10570

ALSO K-10571, K-10572



Codes/Standards Applicable

Specified model meets or exceeds the following:

- UL 1598
- CSA 250.0

Colors/Finishes

- CP: Polished Chrome
- BN: Brushed Nickel
- G: Brushed Chrome

Specified Model

Model	Description	Colors/Finishes		
K-10570	Wall sconce – single-light sconce	<input type="checkbox"/> CP	<input type="checkbox"/> BN	<input type="checkbox"/> G
K-10571	Wall sconce – double-light sconce	<input type="checkbox"/> CP	<input type="checkbox"/> BN	<input type="checkbox"/> G
K-10572	Wall sconce – triple-light sconce (shown)	<input type="checkbox"/> CP	<input type="checkbox"/> BN	<input type="checkbox"/> G

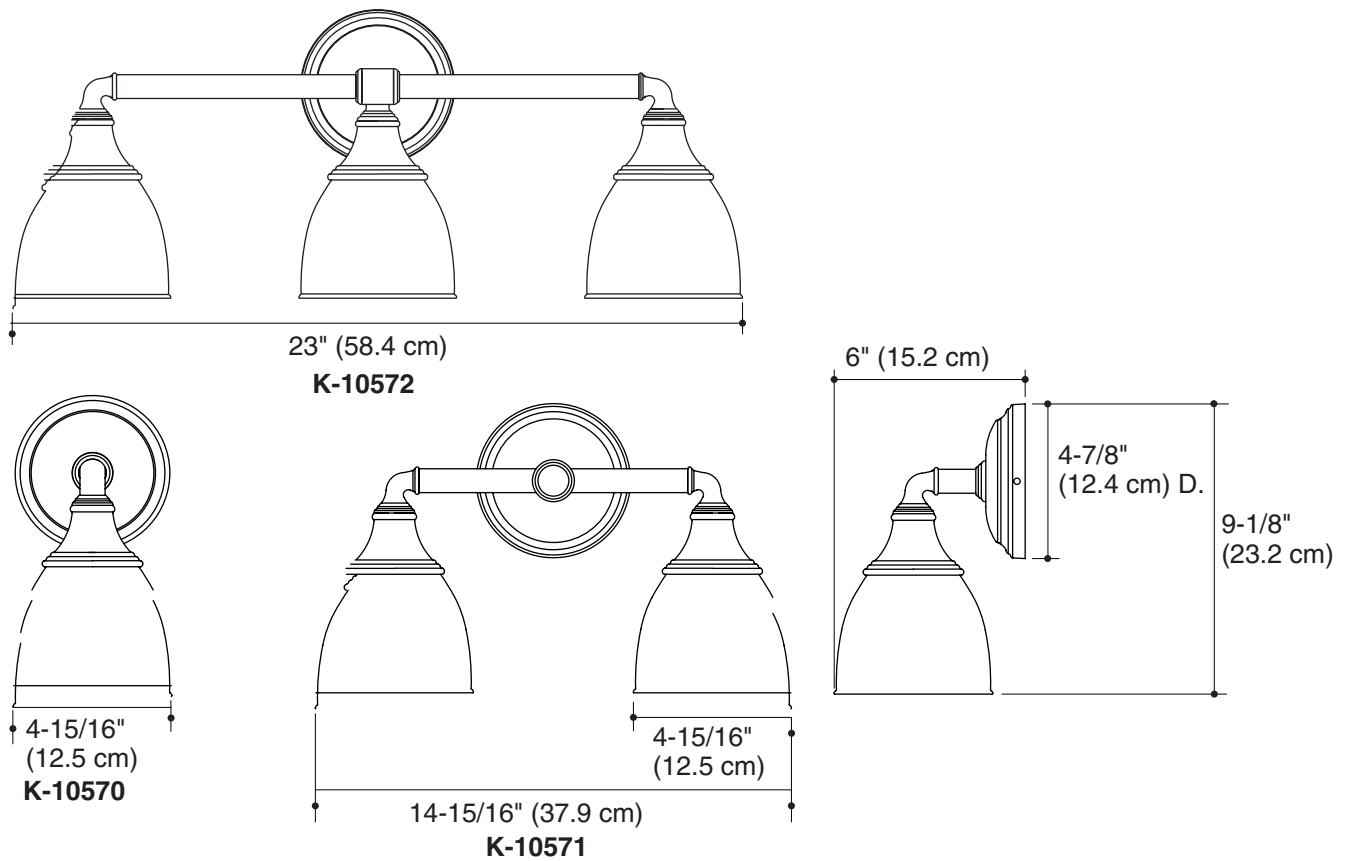
Product Specification:

The wall sconce shall be of metal construction. Product shall include installation hardware. Product shall require a maximum 100-W bulb (not supplied) for each light. Product shall be positioned facing up or down. Product shall complement the Devonshire faucet line. Wall sconce shall be Kohler Model K-____-____.

DEVONSHIRE®

Installation Notes

Install this product according to the installation guide.



Product Diagram