

Features

- Brass construction
- Fixture-mount design
- Includes a 9 V lithium battery
- Intended for urinal installations with 3/4" spud coupling connection
- Electronic infrared sensor with WAVE technology for accurate activation
- 0.125 gal (0.47 L) per flush flow rate

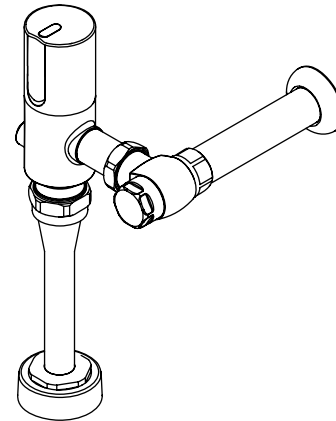
Codes/Standards Applicable

Specified model meets or exceeds the following:

- ASSE 1037
- CSA B64
- ADA
- FCC 47, Part 15
- EN 55022
- Canadian ICES-003 class B
- CSA B125.3
- CSA B651
- ICC/ANSI A117.1

**EXPOSED FLUSH VALVE
K-10668**

ADA



Colors/Finishes

- CP: Polished Chrome

Specified Model:

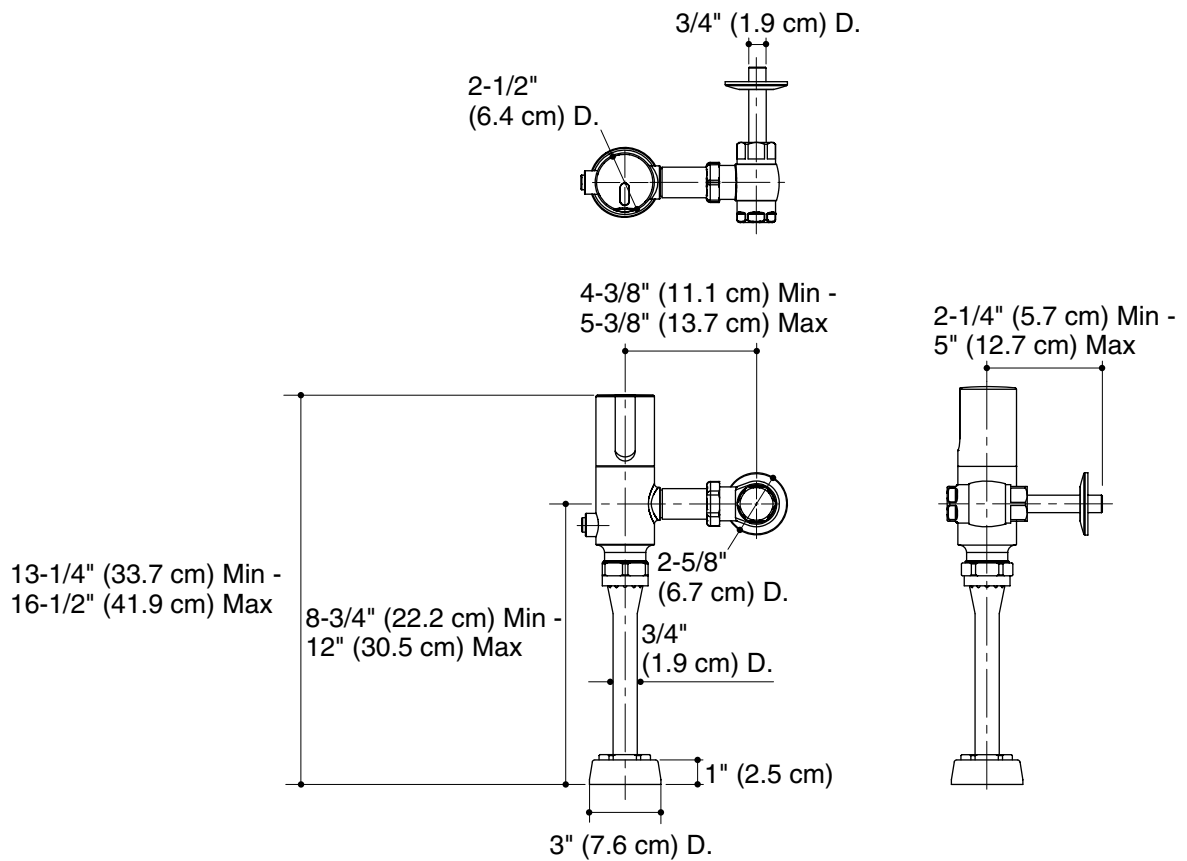
Model	Description	Colors/Finishes
K-10668	Exposed flush valve, washdown	<input type="checkbox"/> CP

PRODUCT SPECIFICATION

Electronic flush valve shall be made of brass construction. Valve shall feature electronic infrared sensor with WAVE technology for accurate activation. Valve shall be of a fixture-mount design. Product is intended for urinal installations with a 3/4" spud coupling connection. Valve shall have a 0.125 gal (0.47 L) per flush flow rate. Valve includes a 9 V lithium battery. Exposed flush valve shall be Kohler Model K-10668-CP.

Installation Notes

Install this product according to the installation guide.



Product Diagram