

Features

- Acrylic
- 8 color-matched jets
- Integral apron with removable access panel
- 1.25 hp pump with air switch and grounding-type plug-in cord
- Integral tile flange
- In-line heater
- Left or right drain
- Slotted overflow for maximum bathing depth
- Low threshold height
- Integral lumbar support
- Armrests
- 72" (182.9 cm) x 36" (91.4 cm) x 19" (48.3 cm)

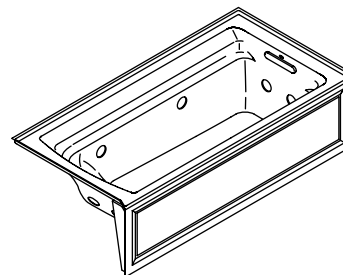
Codes/Standards Applicable

Specified model meets or exceeds the following:

- ANSI Z124.1.2
- IAPMO/UPC
- Underwriters Laboratories (UL)
- ASME A112.19.7M
- Listed in State of Massachusetts

6' (1.8 m) BATH WHIRLPOOL WITH HEATER

K-1124-HL ALSO K-1124-HR



Colors/Finishes

- 0: White
- Other: Refer to Price Book for additional colors/finishes

Accessories:

- 0: White
- CP: Polished Chrome
- Other: Refer to Price Book for additional colors/finishes

Specified Model

Model	Description	Colors/Finishes	
K-1124-HL	6' (1.8 m) bath whirlpool with heater, left drain, and integral apron	<input type="checkbox"/> 0	<input type="checkbox"/> Other_____
K-1124-HR	6' (1.8 m) bath whirlpool with heater, right drain, and integral apron	<input type="checkbox"/> 0	<input type="checkbox"/> Other_____
Required Accessories			
K-7272	Bath drain	<input type="checkbox"/> CP	<input type="checkbox"/> Other_____
Optional Accessories			
K-9259	Removable bath seat	<input type="checkbox"/> 0	

Product Specification:

The bath whirlpool shall be 72" (182.9 cm) in length, 36" (91.4 cm) in width, and 19" (48.3 cm) in height. Bath whirlpool shall be made of acrylic. Bath whirlpool shall have 8 color-matched jets, and 1.25 hp pump with air switch and grounding-type cord. Bath whirlpool shall have an in-line heater. Bath whirlpool shall have integral apron with removable access panel. Bath whirlpool shall have integral tile flange. Bath whirlpool shall have left or right drain. Bath whirlpool shall have slotted overflow, low threshold height, and integral lumbar support. Bath shall have armrests. Bath whirlpool shall be Kohler Model K-1124-_____-_____.

ARCHER™

Technical Information

Fixture*:	basin area	top area	weight
Bathing well	51-3/8" (130.5 cm) x 21" (53.3 cm)	64-1/2" (163.8 cm) x 30-1/2" (77.5 cm)	140 lbs (63.5 kg)
To overflow	water depth	capacity	
	15" (38.1 cm)	72 gal (273 L)	

* Approximate measurements for comparison only.

Pump:	Hp	V	Hz	A
1-speed	1.25	120	60	7
Heater:	kW	V	Hz	A
	1.5	120	60	12.5

Pump is supplied with 24" (61 cm) grounding-type plug-in cord.

Required Electrical Service (2 required)

Two dedicated circuits required, each protected with Class A Ground-Fault Circuit-Interrupter (GFCI):

Pump/control	120 V, 15 A, 60 Hz
Heater	120 V, 15 A, 60 Hz

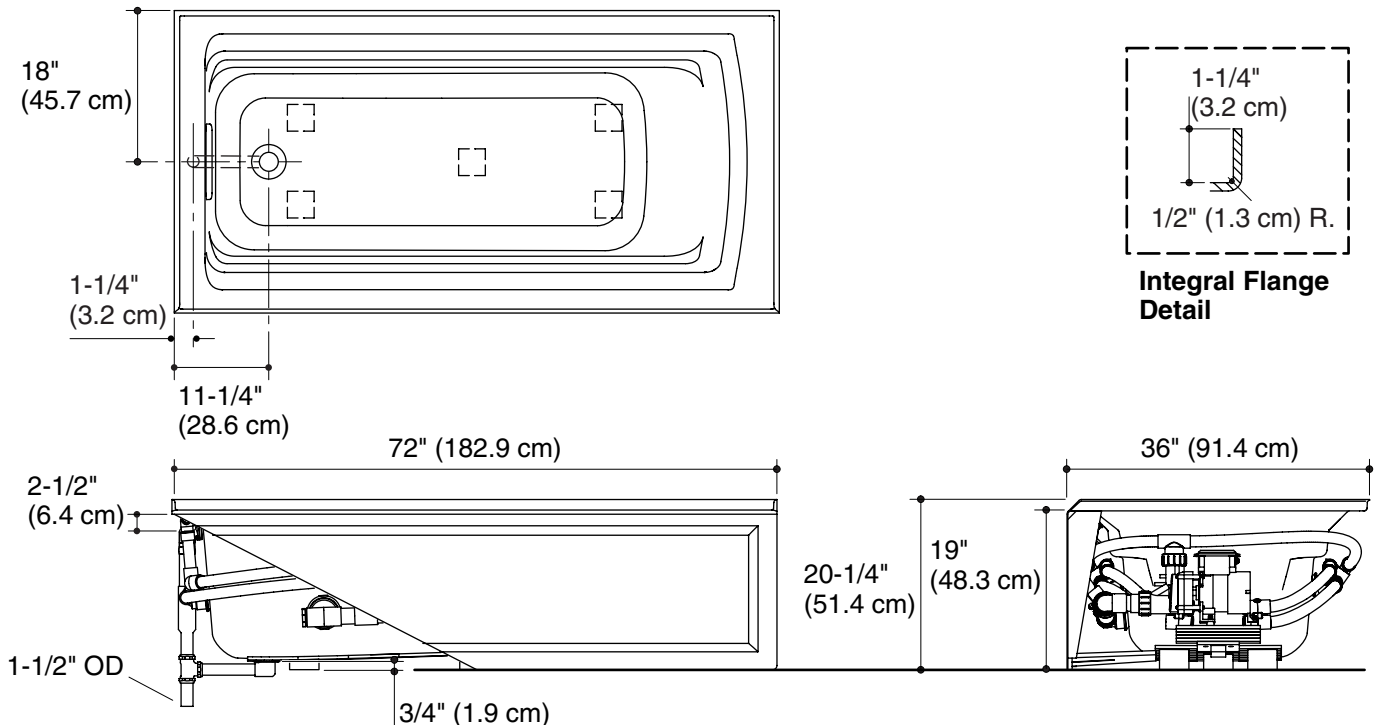
Installation Notes

Install this product according to the installation guide.

Floor support under this product must provide for a minimum of 52 lbs/square foot (254 kg/square meter) loading.

The hot water supply should be 70% of the capacity of the bath or greater. Installations will vary.

No change in measurements if connected with drain illustrated. (K-7272)



Product Diagram

ARCHER™ 6' (1.8 m) BATH WHIRLPOOL WITH HEATER

Page 2 of 2
1071367-4-A

THE BOLD LOOK
OF **KOHLER**®