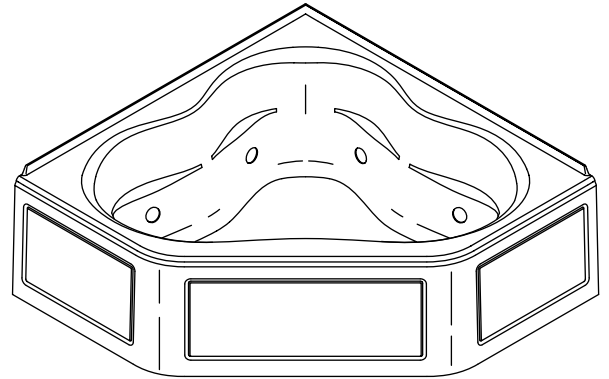


Features

- Acrylic
- For corner installation
- Integral apron with removable access panel
- 6 individually adjustable ProFlex™ hydro-massage jets
- T-style heater
- 1-1/4 hp pump with air switch and grounding-type plug-in cord
- Molded lumbar supports and armrests
- Integral tile flange
- 60" (152.4 cm) x 60" (152.4 cm) x 21" (53.3 cm)

CORNER WHIRLPOOL WITH INTEGRAL APRON AND HEATER K-1160-HL



Codes/Standards Applicable

Specified model meets or exceeds the following:

- ANSI Z124.1
- IAPMO/UPC
- Underwriter's Laboratories (UL)
- ASME A112.19.7M

Colors/Finishes

- 0: White
- Other: Refer to Price Book for additional colors/finishes

Accessories:

- CP: Polished Chrome
- 0: White
- Other: Refer to Price Book for additional colors/finishes
- NA: None applicable

Specified Model

Model	Description	Colors/Finishes	
K-1160-HL	Whirlpool, integral apron (shown)	<input type="checkbox"/> 0	<input type="checkbox"/> Other_____
Recommended Accessory			
K-11677	Drain	<input type="checkbox"/> CP	
Optional Accessories			
K-9696	Jet trim kit (Metal finishes)	<input type="checkbox"/> CP	<input type="checkbox"/> Other_____
K-1491	Pillow	<input type="checkbox"/> 0	<input type="checkbox"/> Other_____

Product Specification:

The corner acrylic bath whirlpool shall be 60" (152.4 cm) in length, 60" (152.4 cm) in width, and 21" (53.3 cm) in height. Bath whirlpool shall have integral apron with removable access panel. Bath whirlpool shall have integral tile flange, 6 individually adjustable ProFlex™ hydro-massage jets, T-style heater, 1-1/4 hp pump with air switch and grounding type plug-in cord. Bath whirlpool shall have molded lumbar supports and armrests. Bath whirlpool shall be Kohler Model K-1160-HL-_____.

TERCET™

Technical Information

Fixture*:	basin area	top area	weight
Bathing well	52" (132.1 cm) x 38-3/4" (98.4 cm)	61" (154.9 cm) x 46-1/4" (117.5 cm)	151 lbs. (68.5kg)
	water depth	capacity	
To overflow	15" (38.1 cm)	96 gal. (363.6 L)	
* Approximate measurements for comparison only.			

Pump:	HP	V	Hz	A
1-speed	1-1/4	120	60	7.5
Heater:	kW	V	Hz	A
	1.5	120	60	12.5

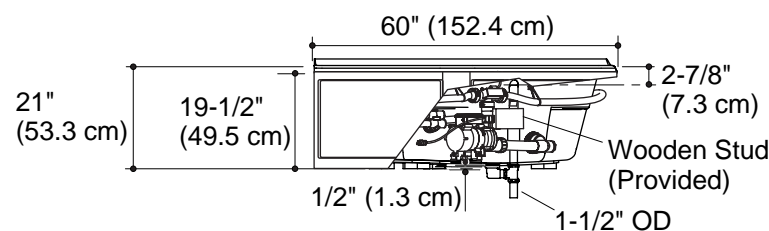
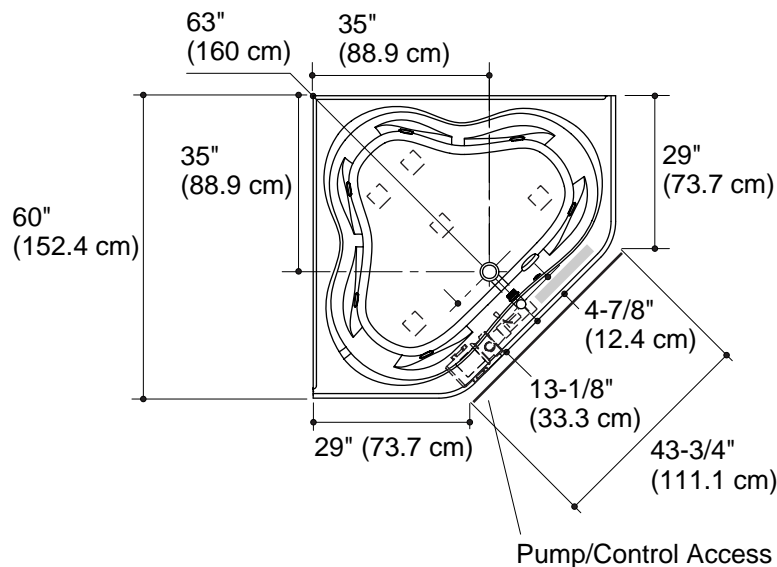
Required Electrical Service

Two dedicated circuit required, each protected with Class A Ground-Fault Circuit-Interrupter (GFCI):	
Pump/control	120 V, 15 A, 60 Hz
Heater	120 V, 15 A, 60 Hz
Locate the outlets onto the wooden stud provided, as illustrated below.	

Installation Notes

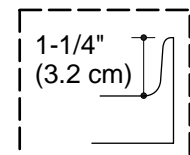
Install this product according to the installation guide.

Floor support under whirlpool must provide for a minimum of 80 lbs./square foot (390 kg./square meter) loading.

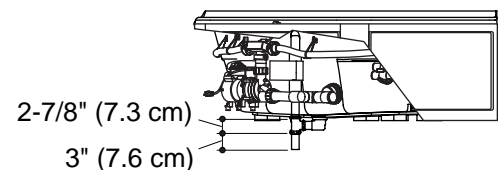


No change in measurements if connected with drain illustrated. (K-11677 or K-11677M)

Recommended faucet area



Tile Flange Detail



Product Diagram

TERCET™ CORNER WHIRLPOOL WITH INTEGRAL APRON AND HEATER