

### Features

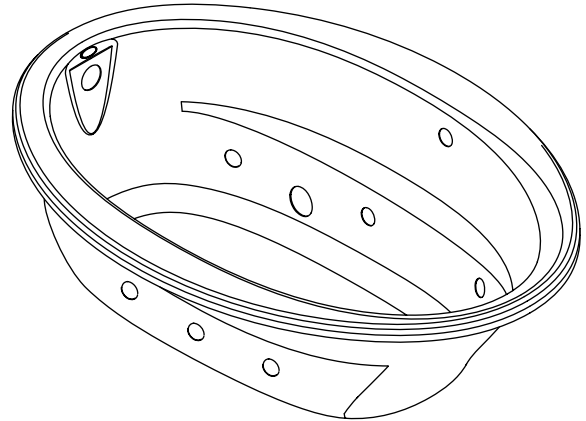
- Acrylic
- Oval shape
- Drop-in rim style, ship-in-place custom pump
- 6 individually adjustable ProFlex™ hydro-massage jets
- 1-1/4 hp pump with air switch and grounding-type plug-in cord
- Molded lumbar supports and armrests
- 72" (182.9 cm) x 42" (106.7 cm) x 21" (53.3 cm)

### Codes/Standards Applicable

Specified model meets or exceeds the following:

- ANSI Z124.1
- IAPMO/UPC
- Underwriter's Laboratories (UL)
- ASME A112.19.7M

## 6' BATH WHIRLPOOL WITH CUSTOM PUMP K-1164-CB



### Colors/Finishes

- 0: White
- Other: Refer to Price Book for additional colors/finishes

### Accessories:

- CP: Polished Chrome
- Other: Refer to Price Book for additional colors/finishes
- NA: None applicable

### Specified Model

| Model                        | Description                             | Colors/Finishes                  |                                      |
|------------------------------|---|----------------------------------|--------------------------------------|
| K-1164-CB                    | Whirlpool, custom pump (top view shown) | <input type="checkbox"/> 0 White | <input type="checkbox"/> Other _____ |
| <b>Recommended Accessory</b> |   |                                  |                                      |
| K-11677                      | Drain                                   | <input type="checkbox"/> CP      |                                      |
| <b>Optional Accessory</b>    |   |                                  |                                      |
| K-9696                       | Whirlpool trim kit                      | <input type="checkbox"/> CP      | <input type="checkbox"/> Other _____ |

### Product Specification:

The oval shaped bath shall be 72" (182.9 cm) in length, 42" (106.7 cm) in width, and 21" (53.3 cm) in height. Drop-in rim style bath whirlpool with ship-in-place custom pump shall be made of acrylic. Bath whirlpool shall have 1-1/4 hp pump with air switch and grounding-type plug-in cord. Bath whirlpool shall have 6 individually adjustable ProFlex™ hydro-massage jets. Bath whirlpool shall have molded lumbar supports and armrests. Bath whirlpool shall be Kohler Model K-1164-\_\_\_\_\_-\_\_\_\_\_.

# SUNWARD™

## Technical Information

| Fixture:*    | basin area                             | top area                           | weight             |
|--------------|--|------------------------------------|--------------------|
| Bathing well | 55-1/4" (140.3 cm) x 23-1/2" (59.7 cm) | 64-1/2" (163.8 cm) x 32" (81.3 cm) | 112 lbs. (50.9 kg) |
|              | water depth                            | capacity                           |                    |
| To overflow  | 15" (38.1 cm)                          | 75 gal. (284.1 L)                  |                    |

\* Approximate measurements for comparison only.

| Pump:                              | HP    | V   | Hz | A        |
|------------------------------------|-------|-----|----|----------|
| 1-speed                            | 1-1/4 | 120 | 60 | 7.5      |
| Minimum access panel pump/control: |       |     |    |          |
| 20" (50.8 cm) W x 15" (38.1 cm) H  |       |     |    | required |

| Included Components: |           |
|----------------------|-----------|
| Cut-out template     | 1042557-7 |

## Required Electrical Service

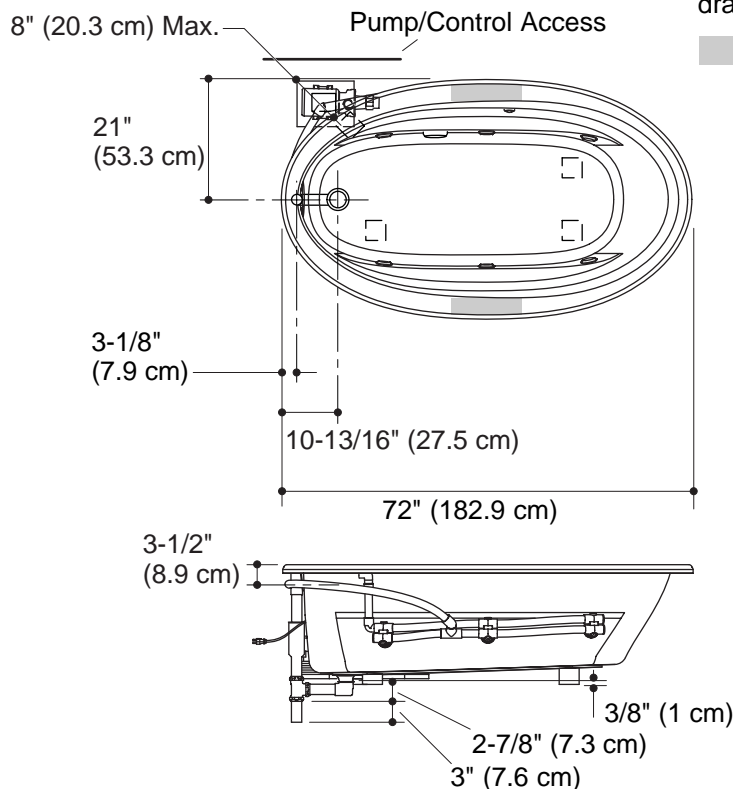
|  |                    |
|--|--------------------|
| Dedicated circuit required, each protected with Class A Ground-Fault Circuit-Interrupter (GFCI): |                    |
| Pump/control   | 120 V, 15 A, 60 Hz |
| Locate the outlet behind the whirlpool and within 24" (61 cm) of the pump.                       |                    |

## Installation Notes

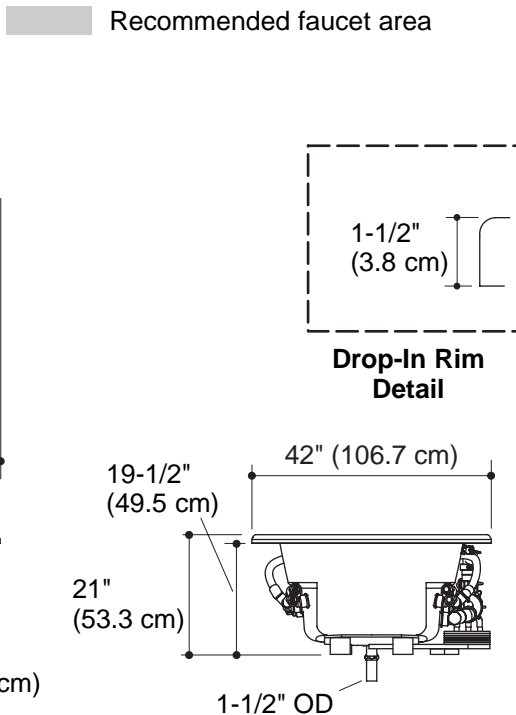
Install this product according to the installation guide.

Floor support under whirlpool must provide for a minimum of 80 lbs./square foot (390 kg/square meter) loading.

Pump must be relocated to custom position at the time of installation. Provide adequate clearance.



No change in measurements if connected with drain illustrated. (K-11677 or K-11677M)



## Product Diagram