

Features

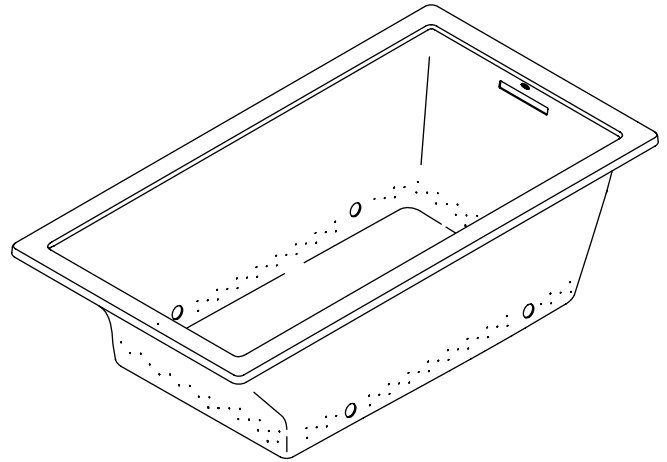
- Acrylic
- Blower motor with 300 W heater and electronic back-lit user control
- 122 BubbleMassage™ airjets
- With Zones of Control™ feature
- Available with chromatherapy [-GCR]
- 60" (152.4 cm) x 32" (81.3 cm) x 21" (53.3 cm)

Codes/Standards Applicable

Specified model meets or exceeds the following:

- ANSI Z124.1.2
- IAPMO/UPC IGC 171
- Underwriters Laboratories (UL)
- ASME A112.19.7M

5' (1.5 m) BUBBLEMASSAGE™ BATH K-1168-G ALSO K-1168-GCR



Colors/Finishes

- 0: White
- Other: Refer to Price Book for additional colors/finishes

Accessories

- CP: Polished Chrome
- PB: Vibrant® Polished Brass
- Other: Refer to Price Book for additional colors/finishes
- NA: None applicable

Specified Model

Model	Description	Colors/Finishes	
K-1168-G	5' (1.5 m) BubbleMassage bath	<input type="checkbox"/> 0	<input type="checkbox"/> Other_____
K-1168-GCR	5' (1.5 m) BubbleMassage bath with chromatherapy	<input type="checkbox"/> 0	<input type="checkbox"/> Other_____

Required Accessories

K-7272	Clearflo slotted overflow bath drain	<input type="checkbox"/> CP	<input type="checkbox"/> PB	<input type="checkbox"/> Other_____
--------	--------------------------------------	-----------------------------	-----------------------------	-------------------------------------

Optional Accessories

K-590	Undermount kit	N/A			
K-1491	Pillow		<input type="checkbox"/> 0		<input type="checkbox"/> Other_____
K-1601	Footstop		<input type="checkbox"/> 0		<input type="checkbox"/> Other_____
K-1705	Remote control	N/A			
K-9498	3" (7.6 cm) whirlpool keypad trim		<input type="checkbox"/> CP	<input type="checkbox"/> PB	<input type="checkbox"/> Other_____

Product Specification

The acrylic BubbleMassage™ bath shall be 60" (152.4 cm) in length, 32" (81.3 cm) in width, and 21" (53.3 cm) in height. Bath shall have a blower motor with 300 W heater and electronic back-lit user control. Bath shall feature Zones of Control and 122 BubbleMassage airjets. Bath shall be available with chromatherapy [-GCR]. Bath shall be Kohler Model K-1168-____-____

UNDERScore™

Technical Information

Fixture*:	
Bathing well:	
Basin area, bottom	42" (106.7 cm) x 23-1/2" (59.7 cm)
Basin area, top	55-1/8" (140 cm) x 27-1/8" (68.9 cm)
Weight	100 lbs (45.4 kg)
To overflow:	
Water depth	17-1/8" (43.5 cm)
Capacity	81 gal (306.6 L)
* Approximate measurements for comparison only.	

Drop-in cutout	59-1/2" (151.1 cm) x 31-1/2" (80 cm)
----------------	--------------------------------------

Blower motor/control:	Heater	V	Hz	A
	300 W	220-240	50/60	3

Required Electrical Service

Dedicated circuit required, protected with Class A Ground-Fault Circuit-Interrupter (GFCI) or Residual Current Device (RCD):

Blower motor/control	220-240 V, 15 A, 50/60 Hz
----------------------	---------------------------

Installation Notes

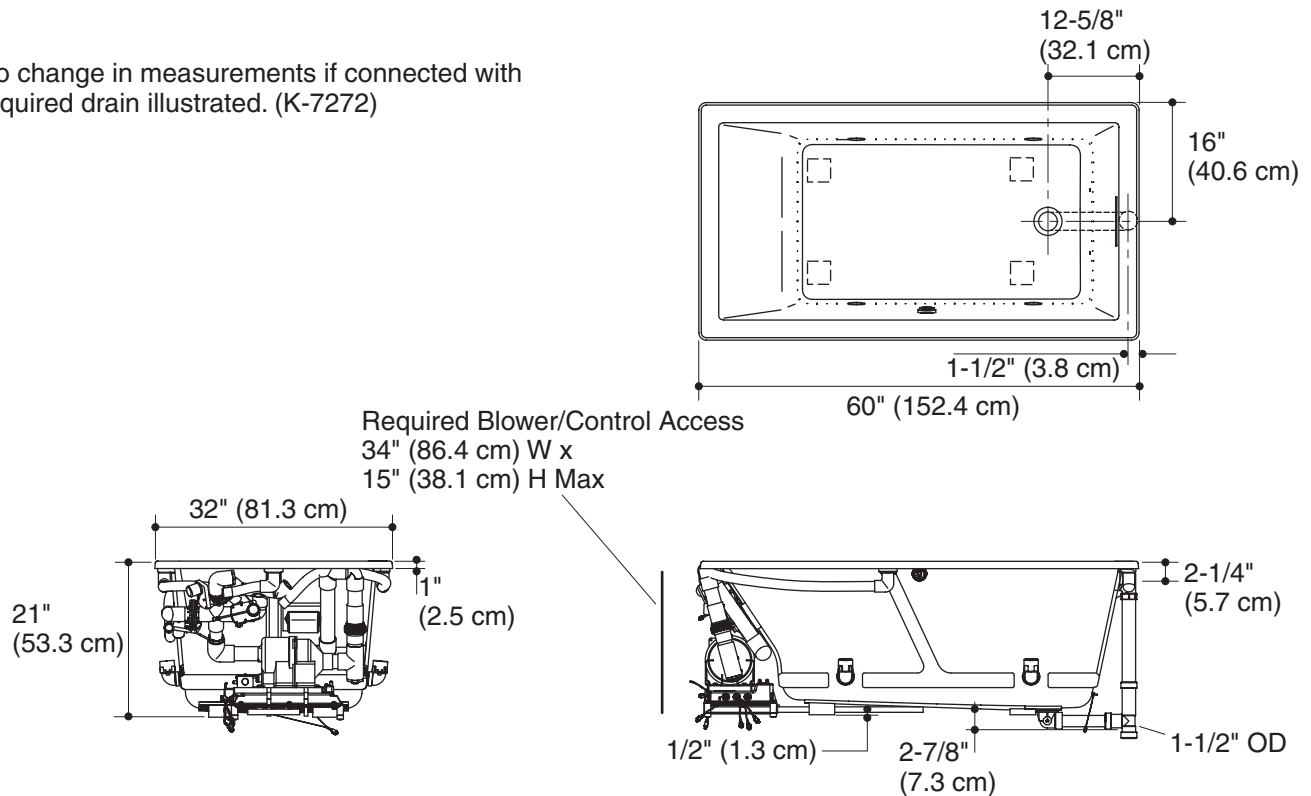
Install this product according to the installation guide.

Floor support under bath must provide for a minimum of 55 lbs/square foot (268 kg/square meter) loading.

Hot water supply should be 70% of capacity or greater. Installations will vary.

A blower motor/control access panel is required.

No change in measurements if connected with required drain illustrated. (K-7272)



Product Diagram