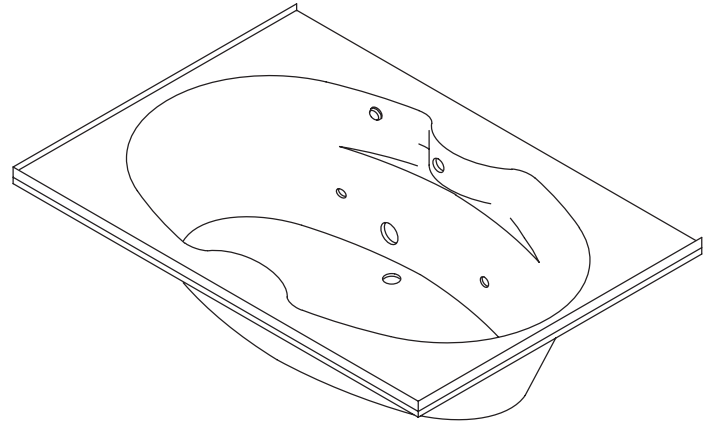


ACRYLIC BATH WHIRLPOOL

K-1131, K-1131-F

FEATURES

- 72" (182.9cm) x 42" (106.7cm) x 20-1/8" (51.1cm)
- Acrylic
- Drop-in rim or three wall alcove
- 6 individually adjustable ProFlex hydro-massage jets
- 1-1/4 HP pump with air switch and cord with plug
- Molded lumbar supports and armrests
- UL listed
- Optional K-1283 separate apron
- Optional K-1639 timer kit
- Optional K-9696 whirlpool trim kit



CODES/STANDARDS APPLICABLE

Specified model meets or exceeds the following:

- ASME/ANSI A112.19.7M
- ANSI Z124.1
- IAPMO/UPC
- Underwriters Laboratories (UL)

COLORS/FINISHES

- 0 White
- Other Refer to Fixtures Price Book for additional colors

Accessories:

- CP Polished Chrome
- PB Polished Brass
- Other Refer to Price Book for additional finishes
- NA None Applicable

SPECIFIED MODEL:

Model	Description	Colors/Finishes	
K-1131	Whirlpool, drop-in	<input type="checkbox"/> 0 White	<input type="checkbox"/> Other _____
K-1131-F	Whirlpool, tile flange, right-hand pump (shown)	<input type="checkbox"/> 0 White	<input type="checkbox"/> Other _____

Recommended Accessories			
K-11677	Drain		<input type="checkbox"/> CP

Optional Accessories			
K-1283	Separate apron with removeable panel for front access	<input type="checkbox"/> 0 White	<input type="checkbox"/> Other _____
K-9696	Jet trim kit (metal finishes)	<input type="checkbox"/> CP <input type="checkbox"/> PB	<input type="checkbox"/> Other _____
K-1491	Pillow	<input type="checkbox"/> 0 White	<input type="checkbox"/> Other _____
K-1639	Timer Kit		<input type="checkbox"/> NA

PRODUCT SPECIFICATION:

The bath whirlpool shall be 72" (182.9cm) in length, 42" (106.7cm) in width, and 20-1/8" (51.1cm) in height. Bath whirlpool shall be made of acrylic, drop-in or three wall alcove. Bath whirlpool shall have 6 individually adjustable ProFlex hydro-massage jets, 1-1/4 HP pump with air switch and cord with plug. Bath whirlpool shall have molded lumbar supports and armrests. Bath whirlpool shall be UL listed. Bath whirlpool shall have optional K-1283 separate apron. Bath whirlpool shall have optional K-1639 timer kit. Bath whirlpool shall be Kohler Model K-1131-_____-_____.

PROFLEX™ 7242

PRODUCT INFORMATION

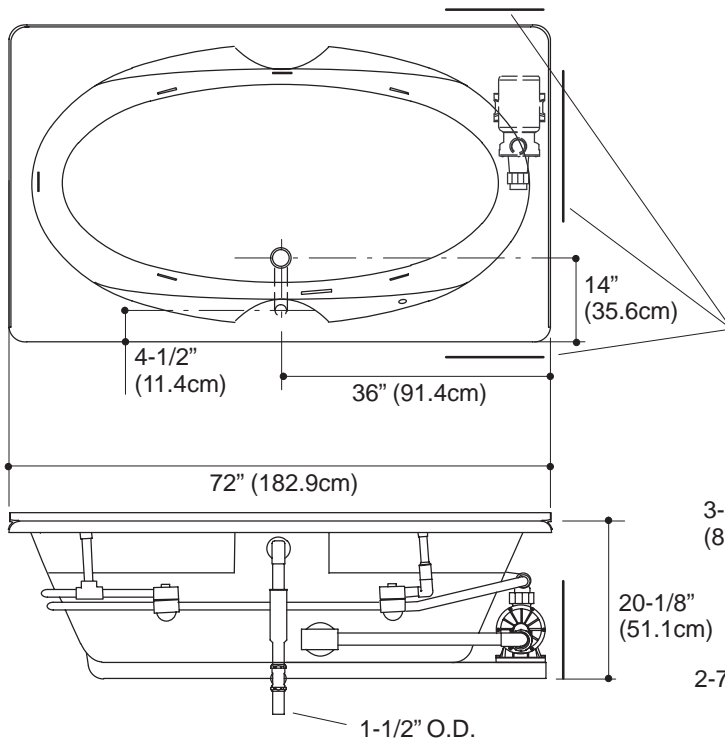
Fixture*:	basin area	top area	weight	
Bathing well	53" (134.6cm) x 26" (66cm)	65" (165.1cm) x 34" (86.4cm)	70 lbs. (31.8kg)	
	water depth	capacity		
To overflow	15" (38.1cm)	78 gal. (295.3L)		
* Approximate measurements for comparison only.				
Pump:	HP	V	Hz	A
1-speed	1-1/4	120	60	7.5

REQUIRED ELECTRICAL SERVICE

Dedicated circuit required, protected with Class A Ground-Fault Circuit-Interrupter (GFCI):	
Pump/control	120 V, 15 A, 60 Hz
Locate the outlet behind the whirlpool and within 24" (61cm) of the pump.	

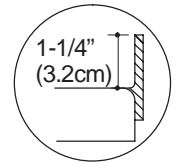
INSTALLATION NOTES

Install this product according to the installation guide. Floor support under whirlpool must provide for a minimum of 80 lbs./square foot (390 Kg./square meter) loading. The apron must be installed before the finish floor and wall materials are installed.

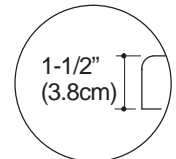
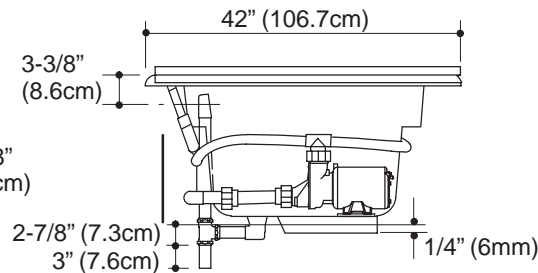


No change in measurements if connected with drain illustrated. (K-11677 or K-11677M)		
Drop-in cut-out	70-1/2" (179.1cm) x 40-1/2" (102.9cm)	
Minimum access panel:		
Pump/control	20" (50.8cm) W x 15" (38.1cm) H	required

PUMP/CONTROL ACCESS FRONT OR END (IF APRON IS NOT USED)



TILE FLANGE DETAIL



DROP-IN RIM DETAIL

PRODUCT DIAGRAM