

KOHLER® Roughing-In

K-1150-LA, K-1150-RA BANCROFT® 5' BATH WITH INTEGRAL APRON

Product Information

Applicable product:	
Bath with integral apron, left drain	K-1150-LA
Bath with integral apron, right drain	K-1150-RA
Fixture:*	
Bathing well:	
Basin area	45" (114.3 cm) x 22" (55.9 cm)
Top area	54" (137.2 cm) x 25" (63.5 cm)
Bath with apron	
Weight	80 lbs (36.3 kg)
To overflow:	
Water depth	15" (38.1 cm)
Capacity	60 gal (227.1 L)
* Approximate measurements for comparison only.	
Recommended accessories:	
Swiftflo™ adjustable trip lever drain	K-11677

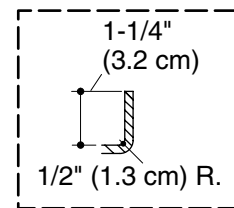
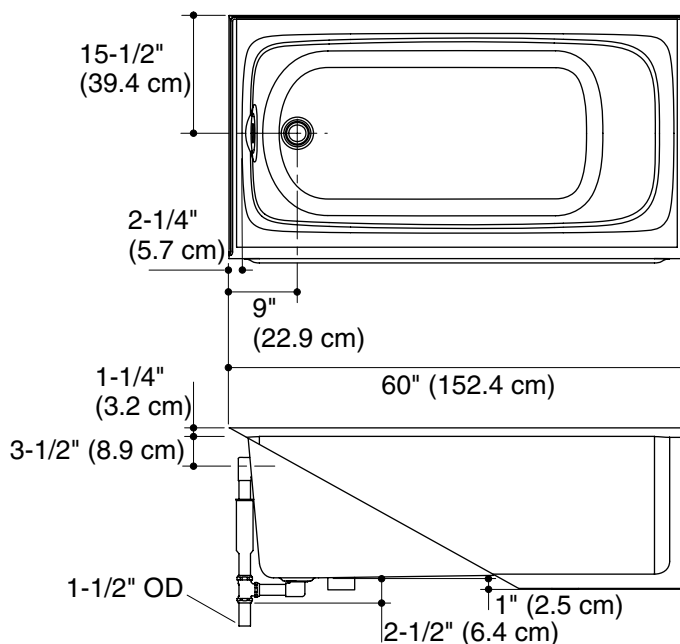
Installation Notes

Install this product according to the installation guide.

Unless otherwise specified, floor support under bath must provide for a minimum of 45 lbs/square foot (222 kg/square meter) loading.

Fixture conforms to ANSI Standard Z124.1. All dimensions are nominal.

No change in measurements if connected with drain illustrated. (K-11677)



Integral Flange Detail

