

Features

- Integral apron with removable access panel
- Acrylic
- 1 hp blower motor with 300 W heater, and electronic user control
- Left or right drain
- Blower motor is supplied with a grounding-type plug-in cord
- 120 BubbleMassage™ airjets
- Integral tile flange
- Molded lumbar supports
- 60" (152.4 cm) x 32" (81.3 cm) x 20" (50.8 cm)

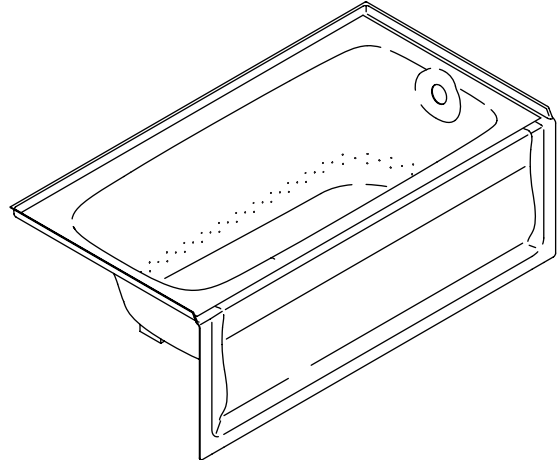
Codes/Standards Applicable

Specified model meets or exceeds the following:

- ANSI Z124.1
- IAPMO/UPC IGC 171
- Underwriter's Laboratories (UL)

BUBBLEMASSAGE™ BATH WITH AIRJETS AND INTEGRAL APRON

K-1151-GLA ALSO K-1151-GRA



Colors/Finishes

- 0: White
- Other: Refer to Price Book for additional colors/finishes

Accessories:

- CP: Polished Chrome
- PB: Polished Brass
- Other: Refer to Price Book for additional colors/finishes

Specified Model

Model	Description	Colors/Finishes		
K-1151-GLA	Bath with airjets, left drain and integral apron	<input type="checkbox"/> 0 White	<input type="checkbox"/> Other_____	
K-1151-GRA	Bath with airjets, right drain and integral apron (shown)	<input type="checkbox"/> 0 White	<input type="checkbox"/> Other_____	

Recommended Accessories

K-11677	Drain	<input type="checkbox"/> CP	<input type="checkbox"/> PB	<input type="checkbox"/> Other_____
K-1446	Remote blower installation kit	NA		

Optional Accessories

K-9497	2-1/2" (6.4 cm) metal finish keypad trim	<input type="checkbox"/> CP	<input type="checkbox"/> PB	<input type="checkbox"/> Other_____
--------	--	-----------------------------	-----------------------------	-------------------------------------

Product Specification

The bath with airjets shall be 60" (152.4 cm) in length, 32" (81.3 cm) in width, and 20" (50.8 cm) in height. Bath shall be made of acrylic and shall have an integral apron and tile flange. The apron shall have a removable access panel. Bath shall have integral lumbar supports. Drain outlet shall be optionally on the left or right. Bath shall have a 1 hp blower motor with 300 W heater and an electronic user control. Bath shall have 120 airjets. The blower motor shall have a grounding-type plug-in cord. The bath with airjets shall be Kohler Model K-1151-_____-_____.

BANCROFT™ 5'

Technical Information

Left drain	K-1151-GLA		shown
Right drain	K-1151-GRA		not shown
Fixture:*	basin area	top area	weight
Bathing well	45" (114.3 cm) x 22" (55.9 cm)	54" (137.2 cm) x 25" (63.5 cm)	100 lbs. (45.4 kg)
	water depth	capacity	
To overflow	15" (38.1 cm)	60 gal. (227.1 L)	

* Approximate measurements for comparison only.

Blower motor:	Heater	V	Hz	A
1 hp	300 W	120	60	5

Required Electrical Service

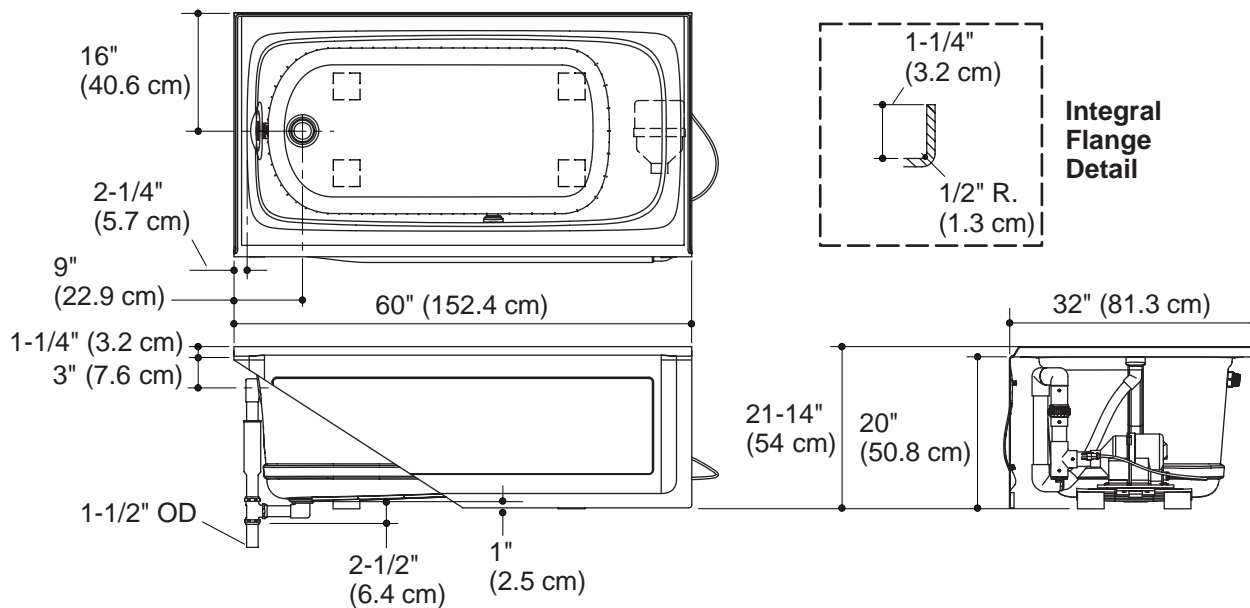
Dedicated circuit required, protected with Class A Ground-Fault Circuit-Interrupter (GFCI):	
Blower motor	120 V, 15 A, 60 Hz
Blower motor is supplied with a 24" (61 cm) grounding-type plug-in cord.	

Installation Notes

Install this product according to the installation guide.

Floor support under the bath must provide for a minimum of 80 lbs/square foot (390 kg/square meter).

No change in measurements if connected with drain illustrated. (K-11677)



Product Diagram