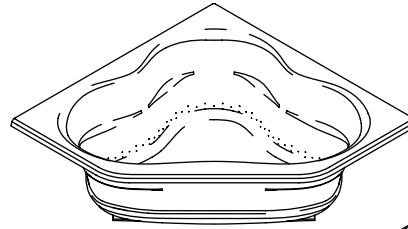


Features

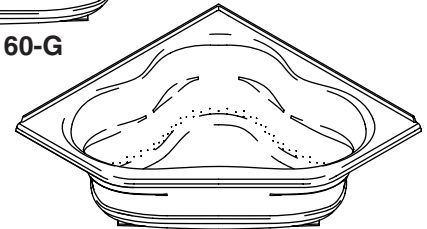
- Acrylic
- For corner installation
- 120 BubbleMassage™ airjets
- Blower motor with 300 W heater and electronic back-lit user control
- Blower motor is supplied with a grounding-type plug-in cord
- Molded lumbar supports and armrests
- Drop-in rim style or tile flange, right-hand blower
- 60" (152.4 cm) x 60" (152.4 cm) x 21" (53.3 cm)

CORNER BATH WITH AIRJETS

K-1160-G
ALSO K-1160-GF



K-1160-G



K-1160-GF

Codes/Standards Applicable

Specified model meets or exceeds the following:

- ANSI Z124.1.2
- IAPMO IGC 171
- UL 1795

Colors/Finishes

- 0: White
- Other: Refer to Price Book for additional colors/finishes

Accessories

- CP: Polished Chrome
- 0: White
- Other: Refer to Price Book for additional colors/finishes

Specified Model

Model	Description	Colors/Finishes	
K-1160-G	Corner bath with airjets – drop-in rim style	<input type="checkbox"/> 0	<input type="checkbox"/> Other _____
K-1160-GF	Corner bath with airjets – tile flange	<input type="checkbox"/> 0	<input type="checkbox"/> Other _____

Recommended Accessories

K-11677	Trip lever drain – through-the-floor installation	<input type="checkbox"/> CP
---------	---	-----------------------------

Optional Accessories

K-1491	Pillow	<input type="checkbox"/> 0	<input type="checkbox"/> Other _____
--------	--------	----------------------------	--------------------------------------

Product Specification

The acrylic drop-in bath with airjets shall be 60" (152.4 cm) in length, 60" (152.4 cm) in width, and 21" (53.3 cm) in height. Product shall be for corner installation. Product shall be available as drop-in rim style or tile flange, right-hand blower. Product shall have a blower motor with 300 W heater and an electronic back-lit user control. Blower motor shall have a grounding-type plug-in cord. Product shall have 120 BubbleMassage airjets and molded lumbar supports and armrests. Bath with airjets shall be Kohler Model K-1160-____-____.

TERCET®

Technical Information

Fixture*:	
Bathing well:	
Basin area, bottom	52" (132.1 cm) x 38-3/4" (98.4 cm)
Basin area, top	61" (154.9 cm) x 46-1/4" (117.5 cm)
Weight	127 lbs (57.6 kg)
To overflow:	
Water depth	15" (38.1 cm)
Capacity	96 gal (363.6 L)
* Approximate measurements for comparison only.	

Blower motor	Heater	V	Hz	A
	300 W	120	60	5

Minimum access panel blower motor:	
20" (50.8 cm) W x 15" (38.1 cm) H	required

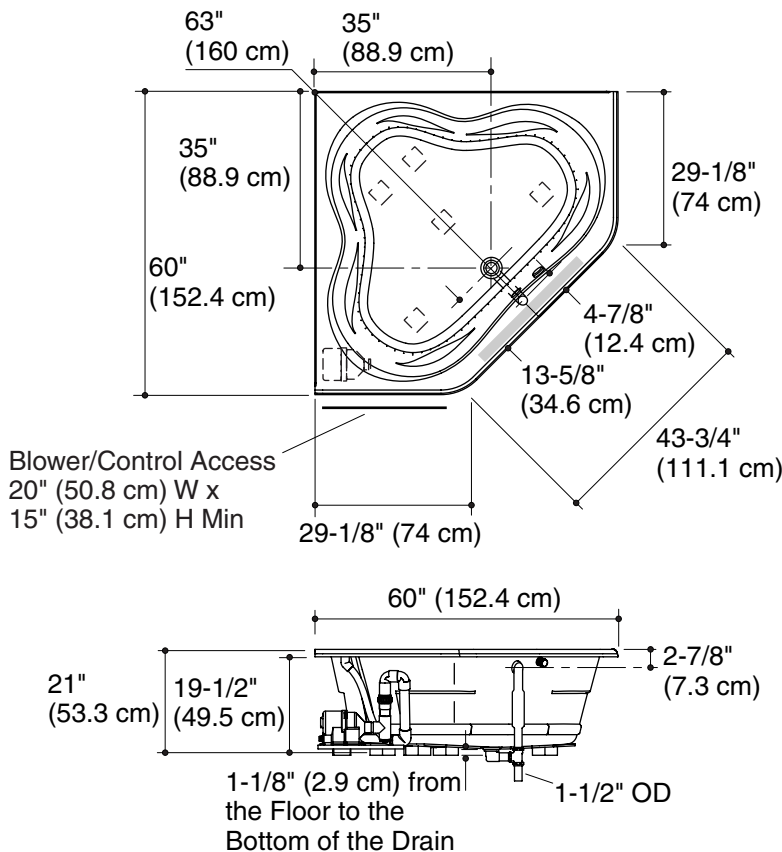
Required Electrical Service

Dedicated circuit required, protected with a Class A Ground-Fault Circuit-Interrupter (GFCI):	
Pump/control	120 V, 5 A, 60 Hz
Locate the outlet behind the bath and within 24" (61 cm) of the pump.	

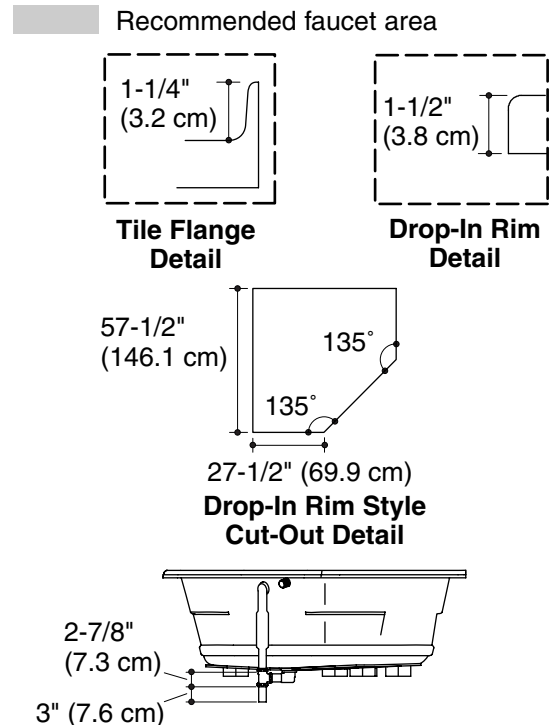
Installation Notes

Install this product according to the installation guide.

Floor support under this product must provide for a minimum of 39 lbs/square foot (190 kg/square meter) loading.



No change in measurements if connected with drain illustrated. (K-11677 or K-11677M)



Product Diagram