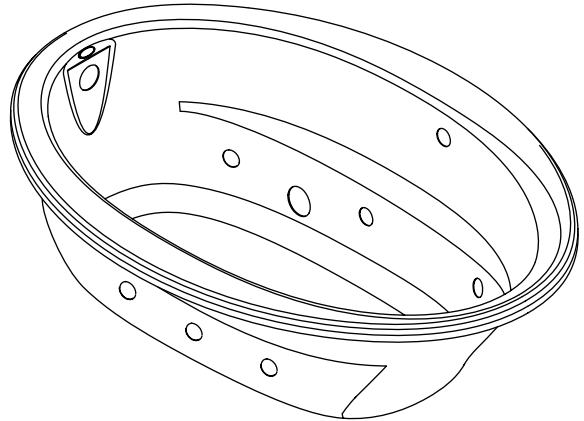


Features

- Acrylic
- Oval shape
- 6 individually adjustable ProFlex™ hydro-massage jets
- 1-1/4 hp pump with air switch and grounding-type plug-in cord
- In-line heater
- Molded lumbar supports and armrests
- Drop-in rim style, ship-in-place custom pump
- 72" (182.9 cm) x 42" (106.7 cm) x 21" (53.3 cm)

6' BATH WHIRLPOOL WITH CUSTOM PUMP AND HEATER K-1164-HB



Codes/Standards Applicable

Specified model meets or exceeds the following:

- ANSI Z124.1
- IAPMO/UPC
- Underwriter's Laboratories (UL)
- ASME A112.19.7M

Colors/Finishes

- 0: White
- Other: Refer to Price Book for additional colors/finishes

Accessories:

- CP: Polished Chrome
- Other: Refer to Price Book for additional colors/finishes
- NA: None applicable

Specified Model

Model	Description	Colors/Finishes	
K-1164-HB	Oval whirlpool with custom pump and heater	<input type="checkbox"/> 0 White	<input type="checkbox"/> Other_____
Recommended Accessory			
K-11677	Drain	<input type="checkbox"/> CP	
Optional Accessory			
K-9696	Whirlpool trim kit	<input type="checkbox"/> CP	<input type="checkbox"/> Other_____

Product Specification:

The oval shaped bath shall be 72" (182.9 cm) in length, 42" (106.7 cm) in width, and 21" (53.3 cm) in height. Drop-in rim style bath whirlpool with ship-in-place custom pump shall be made of acrylic. Bath whirlpool shall have 1-1/4 hp pump with air switch and grounding-type plug-in cord. Bath whirlpool shall have in-line heater and 6 individually adjustable ProFlex™ hydro-massage jets. Bath whirlpool shall have molded lumbar supports and armrests. Bath whirlpool shall be Kohler Model K-1164-_____-_____.

SUNWARD™

Technical Information

Fixture:*	basin area	top area	weight
Bathing well	55-1/4" (140.3 cm) x 23-1/2" (59.7 cm)	64-1/2" (163.8 cm) x 32" (81.3 cm)	112 lbs. (50.9 kg)
To overflow	water depth 15" (38.1 cm)	capacity 75 gal. (284.1 L)	

* Approximate measurements for comparison only.

Pump:	HP	V	Hz	A
1-speed	1-1/4	120	60	7.5
Heater:	kW	V	Hz	A
	1.5	120	60	12.5
Minimum access panel pump/control:				
20" (50.8 cm) W x 15" (38.1 cm) H			required	

Included Components:	
Cut-out template	1042557-7

Required Electrical Service (2 required)

Two dedicated circuits are required, each protected with a Class A Ground-Fault Circuit-Interrupter (GFCI):

Pump/control	120 V, 15 A, 60 Hz
Heater	120 V, 15 A, 60 Hz

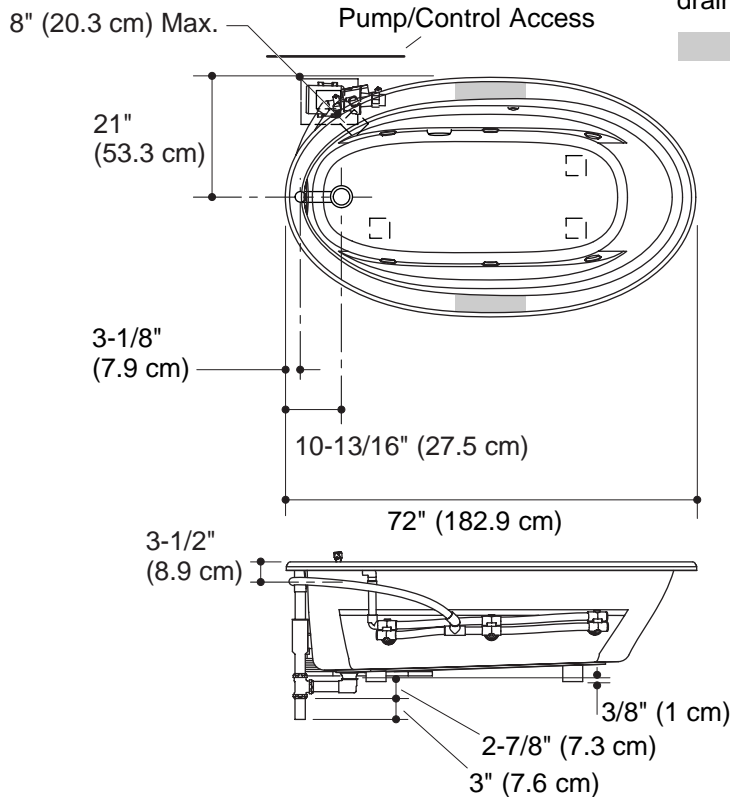
Locate the outlet behind the whirlpool and within 24" (61 cm) of the pump.

Installation Notes

Install this product according to the installation guide.

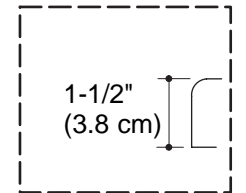
Floor support under whirlpool must provide for a minimum of 80 lbs./square foot (390 kg/square meter) loading.

The suction line extends 1" (2.5 cm) beyond the edge of the rim. The pump base extends 1-1/8" (2.9 cm) beyond the edge of the rim. Modify the framing as needed.

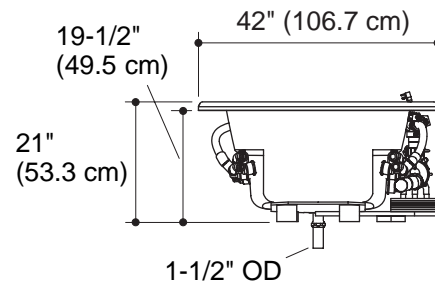


No change in measurements if connected with drain illustrated. (K-11677 or K-11677M)

Recommended faucet area



Drop-In Rim Detail



Product Diagram

SUNWARD™ 6' BATH WHIRLPOOL WITH CUSTOM PUMP AND HEATER

Page 2 of 2
1041947-4-B

THE BOLD LOOK
OF **KOHLER**®