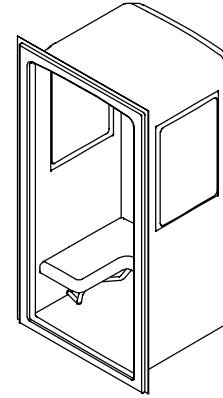


### TRANSFER SHOWER STALL

## K-12100, K-12101



ADA

### FEATURES

- 36" (91.4cm) x 36" (91.4cm) x 81-3/8" (206.7cm) inside finished dimensions
- 45" (114.3cm) x 37-3/4" (95.9cm) x 84" (213.4cm) rough-in dimensions
- Fold-up seat left or right
- Molded-in floor pattern
- Nylon grab bars and folding seat (-N), grey bars and seat supplied with White and Biscuit modules, white bars and seat supplied with others
- Brushed stainless steel grab bars and folding seat frame (-C)
- Polished stainless steel grab bars and folding seat frame (-P)
- Acrylic
- Integral soap ledge
- "Pit" installation option detailed in instructions

### CODES/STANDARDS APPLICABLE

Specified model meets or exceeds the following:

- ANSI Z124.2
- ADA
- ICC/ANSI A117.1

### COLORS/FINISHES

- 0 White
- Other Refer to Price Book for additional colors

#### Accessories:

- CP Polished Chrome
- PB Polished Brass
- Other Refer to Price Book for additional finishes
- NA None Applicable

### SPECIFIED MODEL:

Model	Description	Module Colors/Finishes	
K-12100-N	Stall with fold-up seat on right (nylon grab bars)	<input type="checkbox"/> 0 White	<input type="checkbox"/> Other_____
K-12100-C	Stall with fold-up seat on right (brushed stainless steel grab bars)	<input type="checkbox"/> 0 White	<input type="checkbox"/> Other_____
K-12100-P	Stall with fold-up seat on right (polished stainless steel grab bars)	<input type="checkbox"/> 0 White	<input type="checkbox"/> Other_____
K-12101-N	Stall with fold-up seat on left (nylon grab bars)	<input type="checkbox"/> 0 White	<input type="checkbox"/> Other_____
K-12101-C	Stall with fold-up seat on left (brushed stainless steel grab bars)	<input type="checkbox"/> 0 White	<input type="checkbox"/> Other_____
K-12101-P	Stall with fold-up seat on left (polished stainless steel grab bars)	<input type="checkbox"/> 0 White	<input type="checkbox"/> Other_____

Recommended Accessories			
K-9132	Drain	<input type="checkbox"/> CP	<input type="checkbox"/> PB <input type="checkbox"/> Other_____
Optional Accessories			
K-1570	Dome light	<input type="checkbox"/> NA	

### PRODUCT SPECIFICATION:

The shower stall inside finished dimensions shall be 36" (91.4cm) in length, 36" (91.4cm) in width, and 81-3/8" (206.7cm) in height. Shower stall shall be ADA compliant. Shower stall rough-in dimensions shall be 45" (114.3cm) in length, 37-3/4" (95.9cm) in width, and 84" (213.4cm) in height. Shower stall shall have fold-up seat at left or right. Shower stall shall have a molded-in floor pattern. Shower stall shall have nylon grab bars and folding seat (-N), (grey bars and seat supplied with White and Biscuit stalls, white bars and seat supplied with others), brushed stainless steel grab bars and folding seat frame (-C), or polished stainless steel grab bars and folding seat frame (-P). Shower stall shall be made of acrylic. Shower stall shall have an integral soap ledge. "Pit" installation shall be detailed in instructions. Shower stall shall be Kohler Model K-\_\_\_\_\_.

## PRODUCT INFORMATION

ADA compliant	
Fixture:	170 lbs. (77kg)
Configuration	1-piece
Drain Outlet	3-3/8" D. (8.6cm)

## INSTALLATION NOTES

For optimum accessibility, specify faucets and fittings to install and operate within the control area shown.

Fixture not drilled for supply fittings.



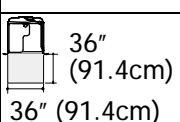
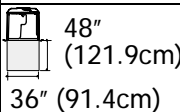
Shimming may be required to level fixture.

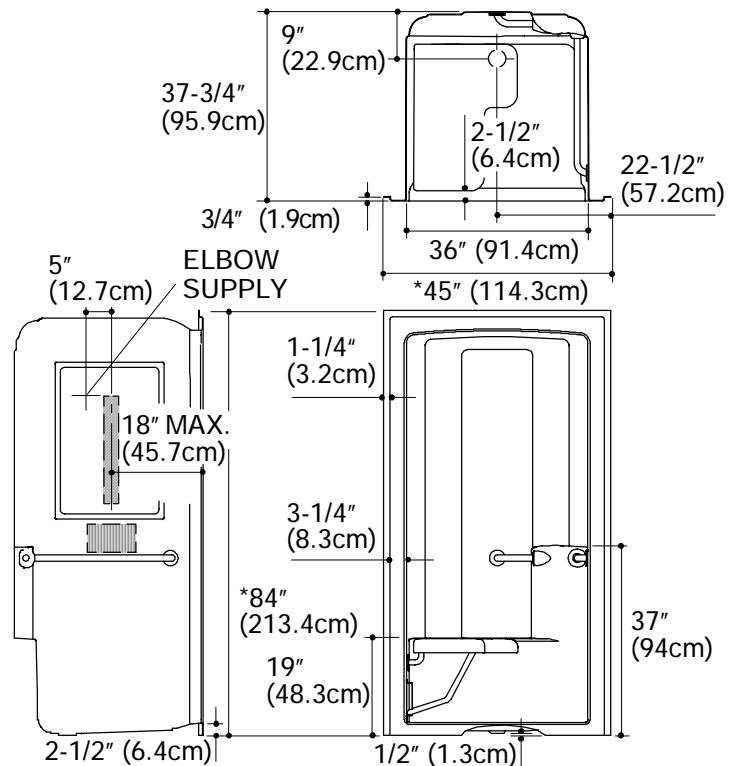
\*Recess opening must be 45-1/4" (114.9cm) x 84-1/4" (214cm).

No change in measurements if connected with drain illustrated.

Stud opening tolerance (+ 1/4" (6mm) - 0"). When fire rated wall is specified, dimensions are to the inside of the wall board. Some shimming between stud frame and fixture may be required.

Provide clear floor space per ANSI A117.1, and as shown.

	Represents control area for faucets.
	Represents 24" (61cm) wall mount slide bar.
	Represents clear floor space for 36" (91.4cm) x 36" (91.4cm) side entrance.
	Represents clear floor space for 48" (121.9cm) x 36" (91.4cm) front entrance.



## PRODUCT DIAGRAM