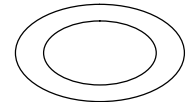
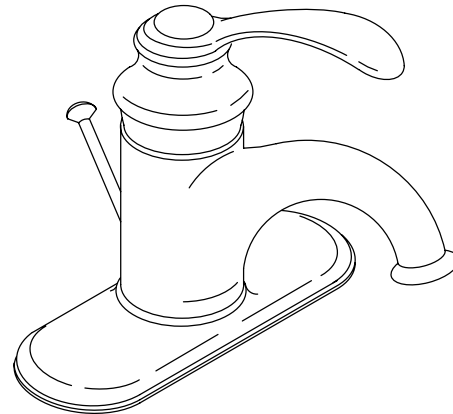


**LAVATORY FAUCET
K-12181
ALSO K-12182**

ADA

FEATURES

- Metal construction
- One-piece self-contained ceramic disc valve allows both volume and temperature control
- Temperature memory allowing faucet to be turned on and off at any temperature setting
- High-temperature limit stop
- 5" spout
- 2.0 gallons per minute
- Lever handle
- Available with single-hole escutcheon ring or 6" escutcheon plate
- Available with metal or plastic drain



CODES/STANDARDS APPLICABLE

Specified model meets or exceeds the following:

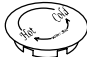
- ASME/ANSI A112.18.1M
- CSA B125
- Energy Policy Act of 1992
- IAPMO/UPC
- NSF 61

COLORS/FINISHES

- CP Polished Chrome
- PB Polished Brass
- Other Refer to Faucets Price Book for additional finishes

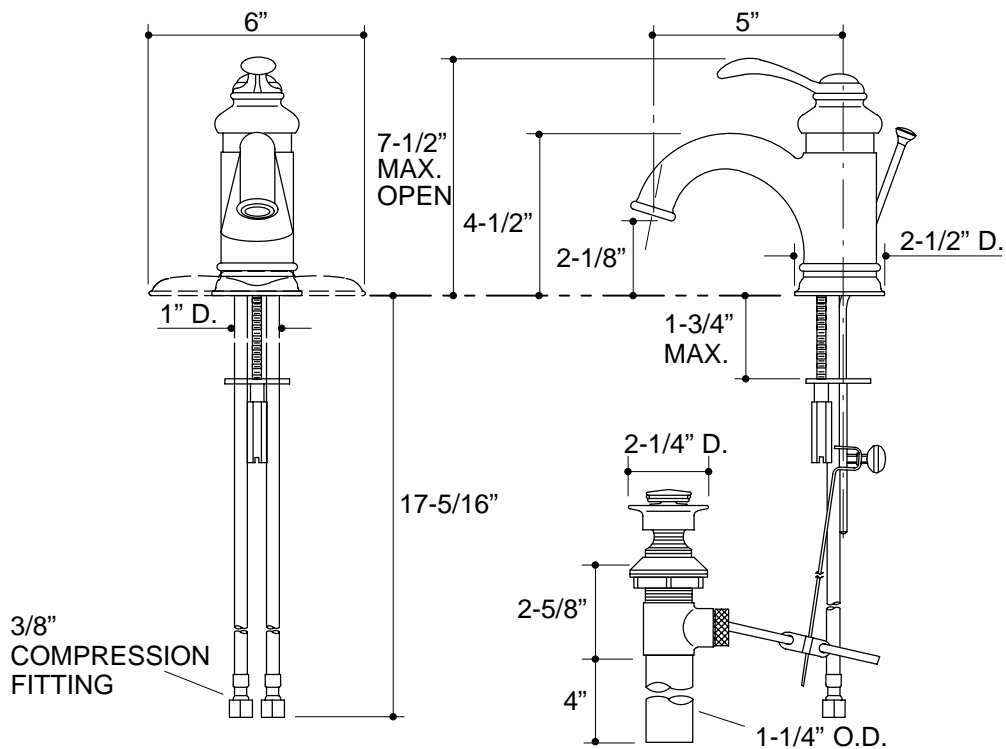
SPECIFIED MODEL:

Model	Description	<input type="checkbox"/> CP	<input type="checkbox"/> PB	<input type="checkbox"/> Other_____
K-12181	With Escutcheon Plate; With Metal Drain	<input type="checkbox"/>	<input type="checkbox"/>	<input type="checkbox"/>
K-12181-D	With Escutcheon Plate; With Plastic Drain	<input type="checkbox"/>	<input type="checkbox"/>	<input type="checkbox"/>
K-12182	With Single-Hole Escutcheon Ring; With Metal Drain	<input type="checkbox"/>	<input type="checkbox"/>	<input type="checkbox"/>
K-12182-D	With Single-Hole Escutcheon Ring; With Plastic Drain	<input type="checkbox"/>	<input type="checkbox"/>	<input type="checkbox"/>

Optional Accessory		
K-12001	Plug Button	<input type="checkbox"/> Other_____

PRODUCT SPECIFICATION:

Single-control kitchen sink faucet shall be of metal construction. The valve shall be a one-piece, self-contained ceramic disc valve, and allows both volume and temperature control. The valve shall feature temperature memory, allowing the faucet to be turned on and off at any temperature setting, and includes a high-temperature limit stop. Product shall include 5" spout, and lever handle. Optional features shall be single-hole escutcheon ring or 6" escutcheon plate, and metal or plastic drain. Faucet shall be Kohler Model K-_____ - _____.



316

PRODUCT DIAGRAM