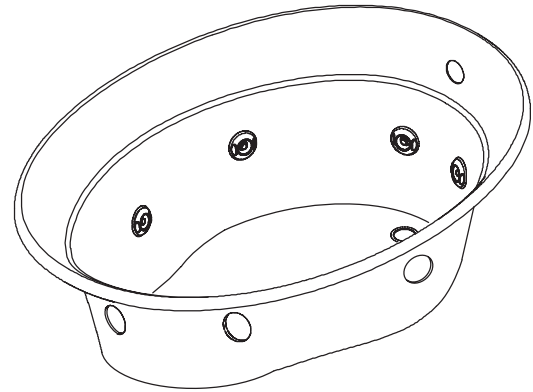


### 5' BATH WHIRLPOOL

# K-1337

#### FEATURES

- 60" (152.4cm) x 42-1/4" (107.3cm) x 21" (53.3cm)
- Acrylic
- Oval shape
- Drop-in
- 1-1/4 hp pump with air switch and cord with plug
- 8 individually adjustable Proflex hydro-massage jets
- UL Listed
- Textured bottom surface
- Optional K-9698 whirlpool trim kit in various finishes
- Optional K-1491 removable pillow
- Optional K-1639 Timer kit



#### CODES/STANDARDS APPLICABLE

Specified model meets or exceeds the following:

- ANSI Z124.1
- ASME/ANSI A112.19.7M
- IAPMO/UPC
- Underwriters Laboratories (UL)

#### COLORS/FINISHES

- 0 White
- Other Refer to Fixtures Price Book for additional colors

#### Accessories:

- CP Polished Chrome
- PB Polished Brass
- Other Refer to Faucets Price Book for additional finishes
- NA None Applicable

#### SPECIFIED MODEL:

Model	Description	Colors/Finishes		
K-1337	5' bath whirlpool	<input type="checkbox"/> 0 White	<input type="checkbox"/> Other_____	
<b>Recommended Accessories</b>				
K-7166-AF	Drain	<input type="checkbox"/> CP	<input type="checkbox"/> PB	<input type="checkbox"/> Other_____
<b>Optional Accessories</b>				
K-9698	Flexjet trim kit (metal finishes)	<input type="checkbox"/> CP	<input type="checkbox"/> PB	<input type="checkbox"/> Other_____
K-1639	Timer Kit	<input type="checkbox"/> NA		
K-1491	Pillow	<input type="checkbox"/> 0 White	<input type="checkbox"/> Other_____	

#### PRODUCT SPECIFICATION:

The oval bath whirlpool shall be 60" (152.4cm) in length, 42-1/4" (107.3cm) in width, and 21" (53.3cm) in height. Bath whirlpool shall be made of acrylic for drop-in installation. Bath whirlpool shall have 1-1/4 hp pump with air switch actuator. Bath whirlpool shall have 8 individually adjustable ProFlex hydro-massage jets. Bath whirlpool shall be UL listed. Bath whirlpool shall have textured bottom surface. Bath whirlpool pump shall be supplied with a grounding-type plug-in cord. Bath whirlpool shall have optional K-1639 timer kit. Bath whirlpool shall have optional K-1491 removable pillow. Bath whirlpool shall be Kohler Model K-1337-\_\_\_\_\_.

## PRODUCT INFORMATION

Fixture*:	basin area	top area	weight
Bathing well	42" (106.7cm) x 28" (71.1cm)	55" (139.7cm) x 40" (101.6cm)	110 lbs. (49.9kg)
	water depth	capacity	
To overflow	15-1/2" (39.4cm)	73 gal. (276.3 L)	

\* Approximate measurements for comparison only.

Pump:	HP	V	Hz	A
1-speed	1-1/4	120	60	7.5

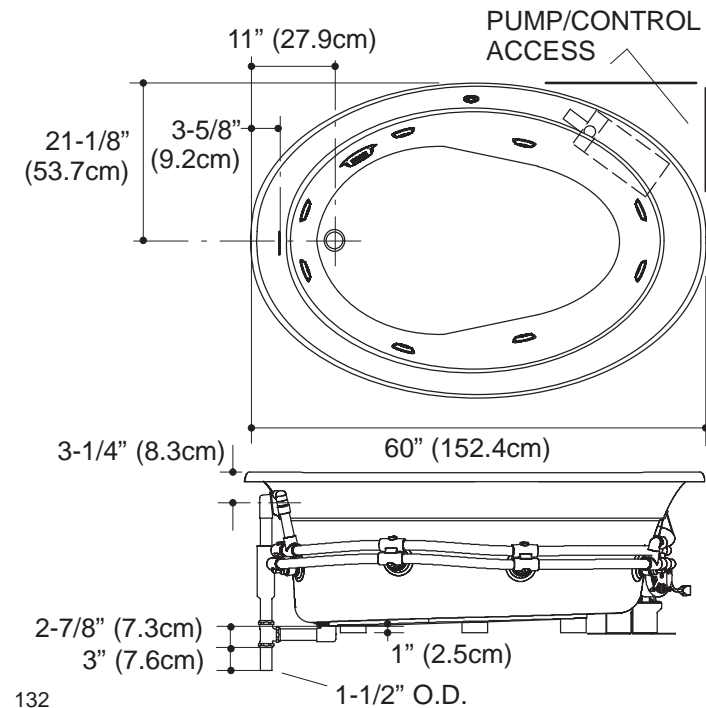
Included Components:	
Cutout template	1017044-7

## REQUIRED ELECTRICAL SERVICE

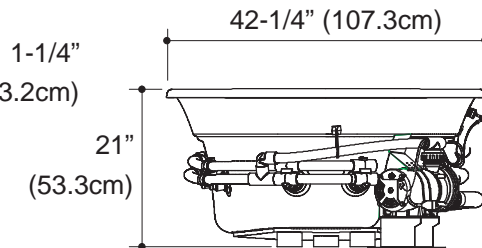
Dedicated circuit required, protected with Class A Ground-Fault Circuit-Interrupter (GFCI):	
Pump/control	120 V., 15 A, 60 Hz

## INSTALLATION NOTES

Locate the outlet behind the whirlpool and within 24" (61cm) of the pump.  
 Floor support under whirlpool must provide for a minimum of 80 lbs./square foot (390 Kg./square meter) loading.



No change in measurements if connected with drain illustrated.		
Minimum access panel:		
Pump/control	20" (50.8cm) W x 15" (38.1cm) H	required
Provide pump/control access in either location shown; supplies must not interfere with pump/control access.		



132

## PRODUCT DIAGRAM