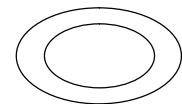
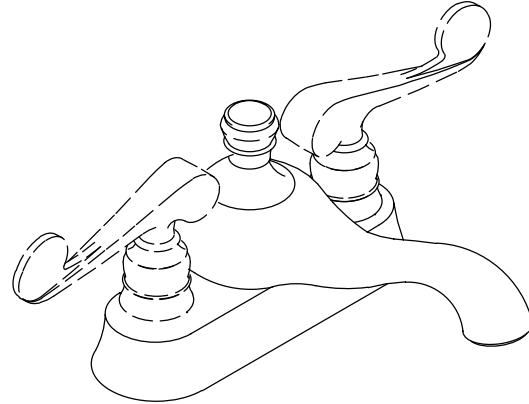


**LAVATORY FAUCET
K-16100**

FEATURES

- Brass construction
- For 4" centers
- Brass valve bodies
- Quarter-turn washerless ceramic disc valves
- 5-1/4" spout
- 2.0 gallons per minute
- Pop-up drain with lift rod and tailpiece
- Available with scroll or traditional handles



CODES/STANDARDS APPLICABLE



Specified model meets or exceeds the following:

- ASME/ANSI A112.18.1M
- CSA B125
- IAPMO/UPC
- NSF 61

COLORS/FINISHES

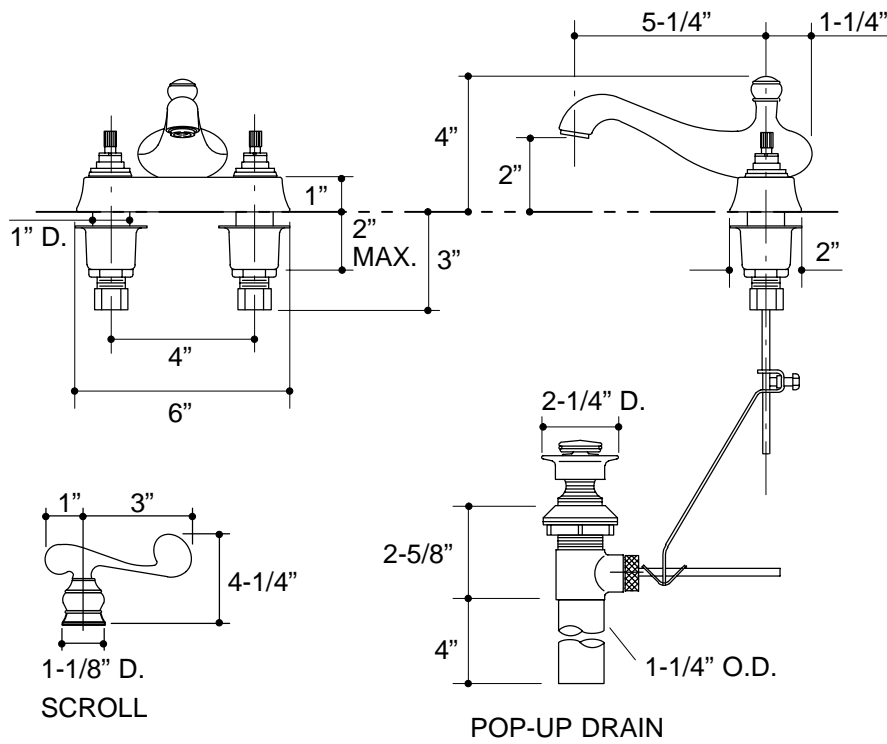
- CP Polished Chrome
- PB Polished Brass
- Other Refer to Faucets Price Book for additional finishes

SPECIFIED MODEL:

Model	Description	 ADA			 ADA		
		<input type="checkbox"/> CP	<input type="checkbox"/> P B	<input type="checkbox"/> Other_____	<input type="checkbox"/> CP	<input type="checkbox"/> P B	<input type="checkbox"/> Other_____
K-16100-4	With Scroll Handles	<input type="checkbox"/>	<input type="checkbox"/>	<input type="checkbox"/>			
K-16100-4A	With Traditional Handles				<input type="checkbox"/>	<input type="checkbox"/>	<input type="checkbox"/>

PRODUCT SPECIFICATION:

Two-handle centerset lavatory faucet shall be of brass construction. Faucet shall feature brass valve bodies. Faucet shall feature quarter-turn washerless ceramic disc valves, assuring positive handle stop positioning. Product shall include 4" centers, 5-1/4" spout, pop-up drain with lift rod and tailpiece, and scroll or traditional handles. Faucet shall be Kohler Model K-16100-_____-_____.



316 TRADITIONAL

SCROLL

POP-UP DRAIN

PRODUCT DIAGRAM