

STEAM GENERATOR K-1658

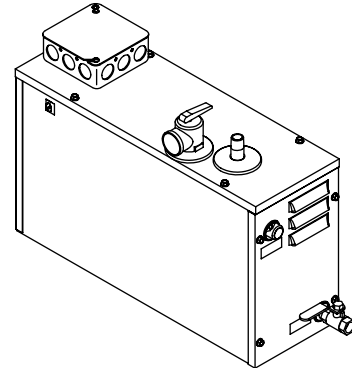
Features

- 3 year warranty
- Steam generators can be installed up to 25' (7.6 m) away from steam bath area

Codes/Standards Applicable

Specified model meets or exceeds the following:

- UL 499
- CAN/CSA C22.2 No. 88



Colors/Finishes

- NA: None applicable

Accessories

- CP: Polished Chrome
- PB: Vibrant® Polished Brass
- Other: Refer to Price Book for additional colors/finishes

Specified Model

Model	Description	Colors/Finishes		
K-1658	9 kW steam generator	<input type="checkbox"/> NA		
Required Accessories				
K-1663	Steam head and control panel	<input type="checkbox"/> CP	<input type="checkbox"/> PB	<input type="checkbox"/> Other_____

Product Specification

The 9 kW steam generator shall have a three-year warranty. Product may be installed up to 25' (7.6 m) away from the steam bath area. Steam generator shall be Kohler Model K-1658-NA.

Technical Information

Water and drain requirements:	
Water supply	3/8" line, 3/8" NPT female thread
Steam line	1/2" copper line, 1/2" NPT female thread
Pressure relief valve	3/4" NPT male thread, valve supplied
Drain line	3/8" line, 3/8" NPT male thread, ball valve supplied
Generator:	
Weight	19-1/2 lbs (8.8 kg)
Electrical rating	230 V, 44 A, 50/60 Hz

Required Electrical Service

Dedicated circuit required:	
Generator	208-230 V, 50 A, 50/60 Hz

Installation Notes

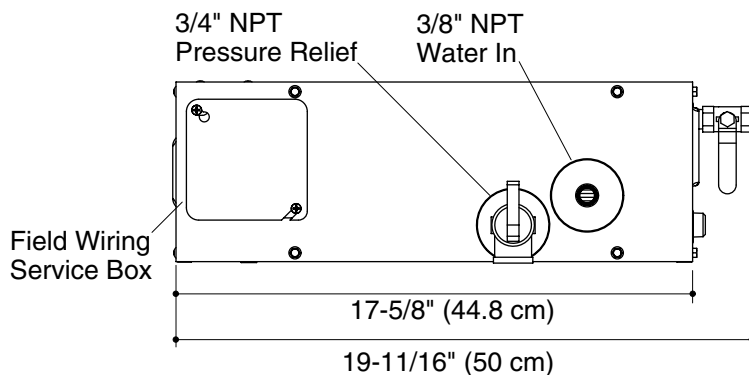
Install this product according to the installation guide.

Fixture dimensions are nominal.

Factory sized: L x H x W = cubic feet. Choose the appropriate model. For every foot of ceiling height over 8 ft (2.4 cm), use the next larger steam unit. Always round your measurements up. Wall material is irrelevant for sizing.

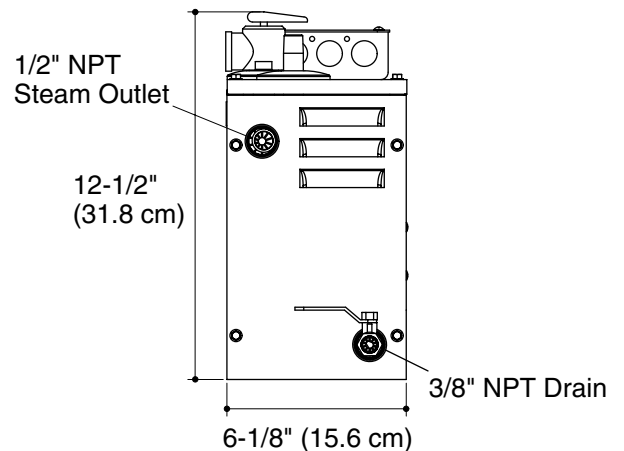
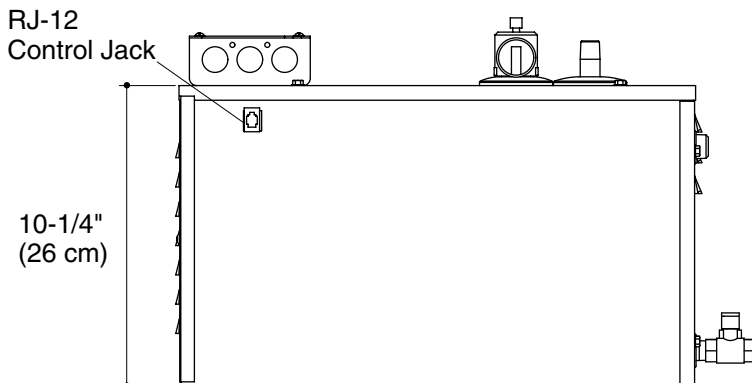
For this steam generator, enclosure shall not exceed the maximum volume rating:

Steam generator model	Power rating	Maximum volume rating
K-1658	9 kW	240 cu ft (6.8 cu m)



Minimum required access panel is 20" (50.8 cm) L x 13" (33 cm) H x 6-1/2" (16.5 cm) W.

Minimum required air space on all sides is 12" (30.5 cm).



Product Diagram